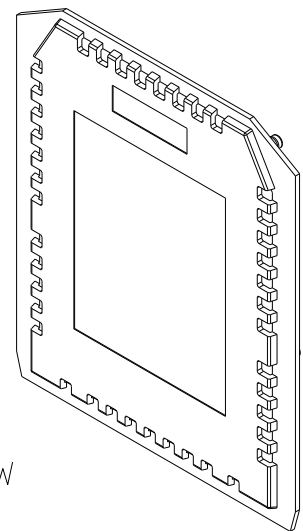
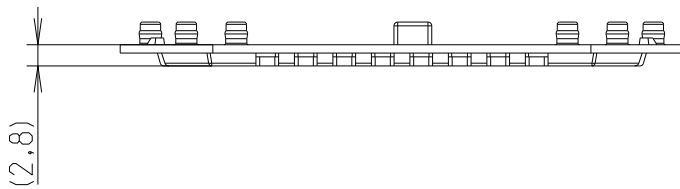
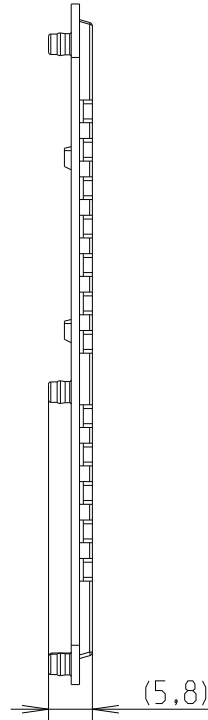
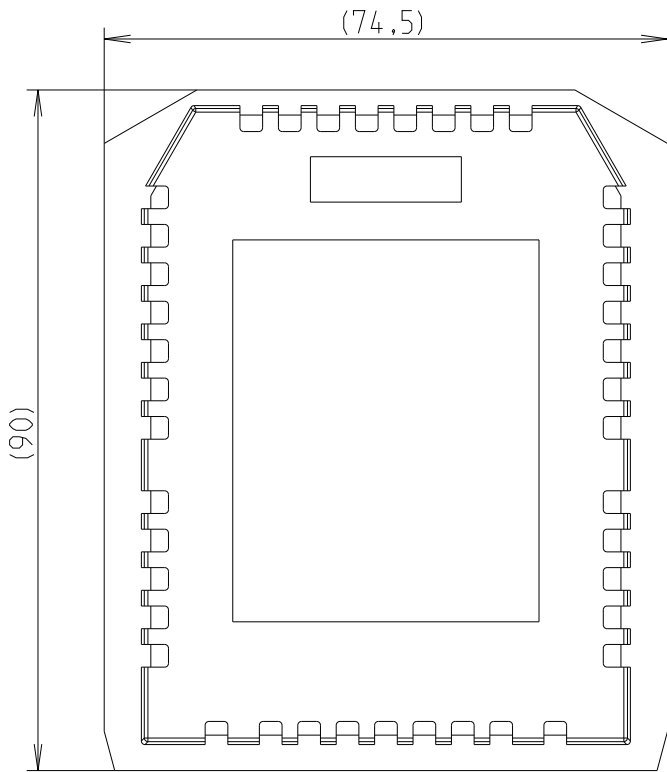



REVISIONS

P	LTR	DESCRIPTION	DATE	DWN	APVD
	A	First Released	01FEB2022		



ISOMETRIC VIEW

© 2022 TE Connectivity. All Rights Reserved.

DIMENSIONS: mm	DWN 01-Feb-22 10:48:29 AM Villard, Romain	MATERIAL	Polyamid	FINISH	-
	CHK	 TE Connectivity			
TOLERANCES UNLESS OTHERWISE SPECIFIED:	APVD				
0 PLC ±	PRODUCT SPEC	NAME	PF12.BL		
1 PLC ±0.1	-	1SNA126520R1300		RESTRICTED TO	-
2 PLC ±0.01	APPLICATION SPEC	SIZE	CAGE CODE	DRAWING NO	
3 PLC ±0.005	-	A 4	00779	©-1SNP065814-0101	
4 PLC ±0.0001	WEIGHT	8,565		SCALE	1:1
ANGLES ±	Customer Drawing		SHEET	1 OF 1	REV A