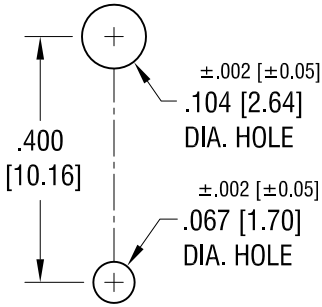
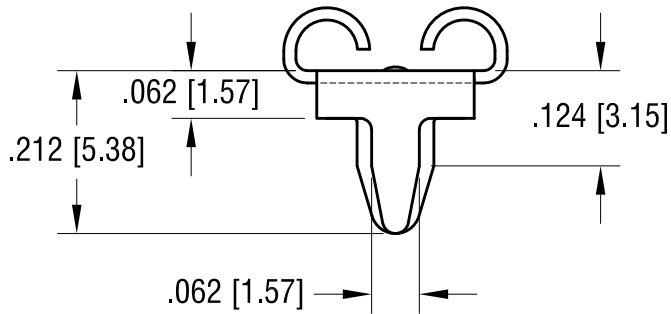
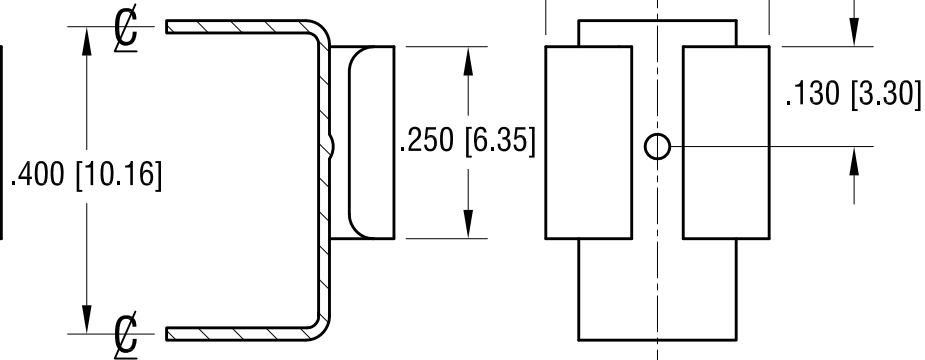
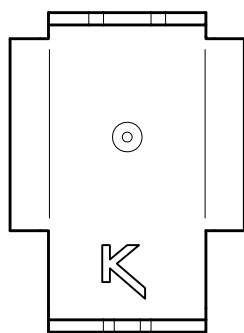
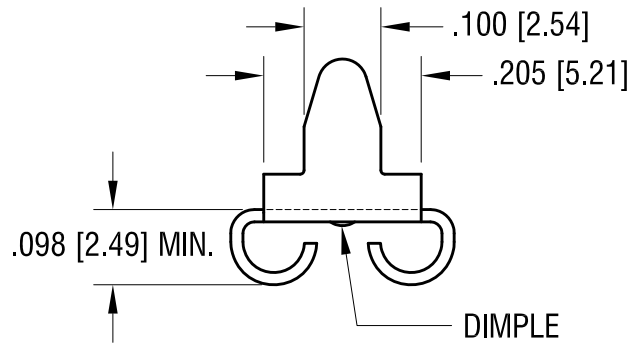


THIS DOCUMENT IS THE PROPERTY OF  
KEYSTONE ELECTRONICS CORP. AND  
SHALL NOT BE REPRODUCED, DISTRIBUTED  
OR USED AS A BASIS FOR MANUFACTURE  
WITHOUT PRIOR WRITTEN PERMISSION  
FROM KEYSTONE ELECTRONICS CORP.

**MOUNTING DETAIL**



**ACTUAL SIZE**



**KEYSTONE ELECTRONICS CORP.**

www.keyelco.com • ASTORIA, N.Y. 11105-2017 • Tel (718) 956-8900

PART NAME  
.250 x .032 HORIZONTAL QUICK CONNECT

MATERIAL  
.016 [0.40] TH'K BRASS

FINISH <b>TIN NICKEL PLATE</b>	DRN BY BOONE	DATE 12.1.94
	APP'D LN	SCALE 4X

TOLERANCES INCH [MM] DECIMAL ± .005 [± 0.15]	CODE C	DWG NO. <b>3547</b>
ANGULAR ± 1° UNLESS OTHERWISE SPECIFIED		

8.30.12	CHANGE AS PER ECN 12-121	D
10.18.05	CHANGE AS PER ECN 05-075	C
DATE	DESCRIPTION	REV.