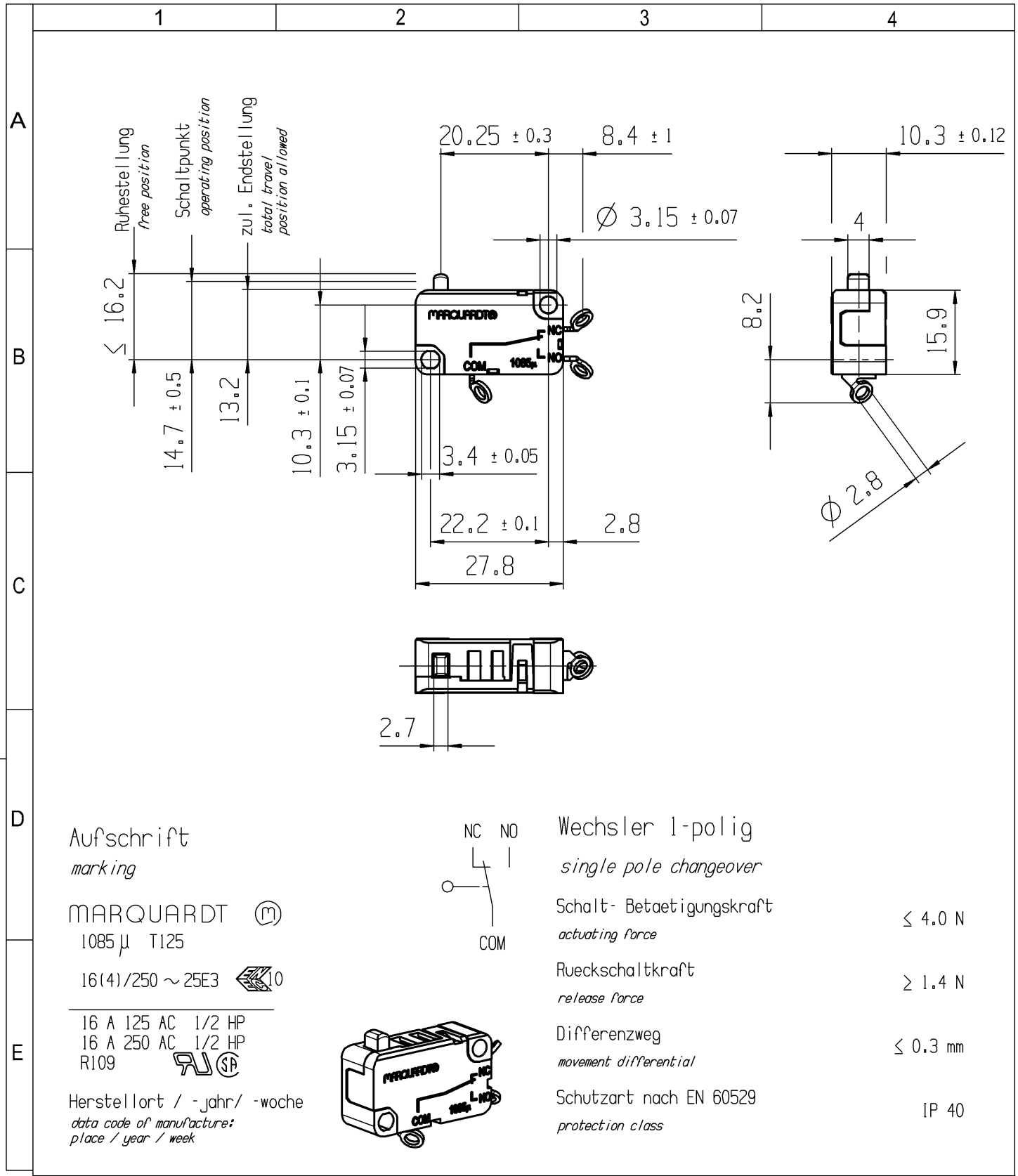


CONFIDENTIAL

VERTRAULICH

Alle Rechte bei Marquardt, auch fuer den Fall von Schutzrechtsanmeldungen. Jede Veruegungsbefugnis, wie Kopier- und Weitergaberecht, bei uns.

THIS DRAWING IS THE EXCLUSIVE PROPERTY OF MARQUARDT. WITHOUT THEIR CONSENT IT MAY NOT BE REPRODUCED OR GIVEN TO THIRD PARTIES.



-	-	-	1085.0103-XX													
Figure	Type	Customer No.	Art.No.-PI													
General tolerances		Sheet 01	Ident. K													
All dimensions are in millimetres	Shape and location	Angle ± 2 °	Edge tolerance	Length	0-6 ± 0.1	6-15 ± 0.15	15-30 ± 0.2	30-70 ± 0.3	70-120 ± 0.4	120 ± 0.8	Radii ± 0.2	Format DIN A4	Projection	Scale 1:1	Document number 10850103	Index g
				± 0.2	± 0.3	± 0.5	± 10%	snap action switch								
				± 0.3	± 0.4	± 0.8	System NX V11.0									
				± 0.4	± 0.8	Replacement of Zg.gl.Nr.v.07.03.1994										
				± 0.8												
g	123519	2019-06-12	TRIGUIK	MARQUARDT												
f	112677	2017-11-28	TRIGUIK													
e	63606	2009-07-14	MTR													
d	32889	2001-12-04	VOR													
Index	MEC-No.	Date (YYYY-MM-DD)	Edited by													