

## LCD MODULE SPECIFICATION

**MODEL NO.**

**BG12864D series**

FOR MESSRS:

---

ON DATE OF:

---

APPROVED BY:

---

## **C O N T E N T S**

1. Numbering System
2. General Specification
3. Absolute Maximum Ratings
4. Electrical Characteristics
5. Optical Characteristics
6. Interface Description
7. Timing characteristics
8. Power supply for LCD Module and LCD operating voltage adjustment
9. Backlight information
10. Display control instruction
11. Quality Assurance
12. Reliability
13. Outline drawing

1. Numbering System

<b><u>B</u></b>	<b><u>G</u></b>	<b><u>12864</u></b>	<b><u>D</u></b>	<b><u>G</u></b>	<b><u>P</u></b>	<b><u>H</u></b>		<b><u>B</u></b>	<b><u>xxx</u></b>
<b>0</b>	<b>1</b>	<b>2</b>	<b>3</b>	<b>4</b>	<b>5</b>	<b>6</b>	<b>7</b>	<b>8</b>	<b>9</b>

<b>0</b>	Brand		Bolymin	
<b>1</b>	Module Type		C= character type G= graphic type P= TAB/TCP type	O= COG type F= COF type
<b>2</b>	Format		2002=20 characters, 4 lines 12232= 122 x 32 dots	
<b>3</b>	Version No.		A type	
<b>4</b>	LCD Color		G=STN/gray Y=STN/yellow-green C=color STN	B=STN/blue F=FSTN T=TN
<b>5</b>	LCD Type		R=positive/reflective P=positive/transflective	M=positive/transmissive N=negative/transmissive
<b>6</b>	Backlight type/color		L=LED array/ yellow-green H=LED edge/white R=LED array/red G=LED edge/yellow-green	D=LED edge/blue E=EL/white B=EL/blue C=CCFL/white
<b>7</b>	CGRAM Font (applied only on character type)		J=English/Japanese Font E=English/European Font	C=English/Cyrillic Font H=English/Hebrew Font
<b>8</b>	View Angle/ Operating Temperature		B=Bottom/Normal Temperature H=Bottom/Wide Temperature U=Bottom/Ultra wide Temperature	T=Top/Normal Temperature W=Top/Wide Temperature C=9H/Normal Temperature
<b>9</b>	Special Code		3=3 volt logic power supply n=negative voltage for LCD c=cable/connector xxx=to be assigned on data sheet	t=temperature compensation for LCD p=touch panel

## 2. General Specification

### (1) Mechanical Dimension

Item	Standard Value	Unit
Number of dots	128×64	dots
Module dimension (L*W*H)	78.0*70.0*13.8(Max)-LED bottom B/L	mm
	78.0*70.0*12.1(Max)-LED white/blue B/L	
	78.0*70.0*5.1(Max)- E/L or No B/L	
View area	62(W)×44.0(H)	mm
Active area	56.28(W)×38.36(H)	mm
Dot size	0.4(W)×0.56(H)	mm
Dot pitch	0.44(W)×0.6(H)	mm

### (2) Controller IC: T6963C

### (3) Temperature Range

	Normal	Wide
Operating	0 ~+50	-20 ~+70
Storage	-10 ~+60	-30 ~+80

## 3. Absolute Maximum Ratings

Item	Symbol	Min	Typ	Max	Unit
Operating Temperature	T <sub>OP</sub>	-20	-	+70	
Storage Temperature	T <sub>ST</sub>	-30	-	+80	
Input Voltage	V <sub>I</sub>	0	-	V <sub>CC</sub>	V
Supply Voltage For Logic	V <sub>DD-VS</sub>	-0.3	-	+7	V
Supply Voltage For LCD	V <sub>DD-VO</sub>	0	-	15	V
Supply Voltage For LCD	V <sub>OUT</sub>	-	-	-5	V

**4. Electrical Characteristics**

Item	Symbol	Condition	Min.	Typ.	Max.	Unit
Supply Voltage For Logic	$V_{DD}-V_{SS}$	-		5.0	5.5	V
Supply Voltage For LCD	$V_{DD}-V_0$	Ta=-20	-	9.3	-	V
		Ta=25	-	9.0	-	V
		Ta=+70	-	8.5	-	V
Input High Vol	$V_{IH}$	-	$2.2V_{DD}$	-	$V_{DD}$	V
Input Low Vol	$V_{IL}$	-	0	-	$0.8V_{DD}$	V
Output High Vol	$V_{OH}$	-	2.4	-	-	V
Output Low Vol.	$V_{OL}$	-	-	-	0.4	V
Supply Current	$I_{DD}$	$V_{DD}=5V$	-	33	35	mA

**5. Optical Characteristics**

a. STN

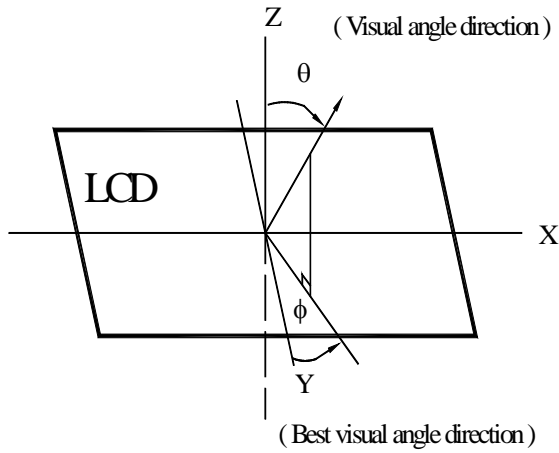
Item	Symbol	Condition	Min.	Typ.	Max.	Unit
View Angle	(V)	CR 2	10		45	deg
	(H)	CR 2	-30		30	deg
Contrast Ratio	CR	-		3	-	-
Response Time 25	T rise	-		100	150	ms
	T fall	-		150	200	ms

b. FSTN

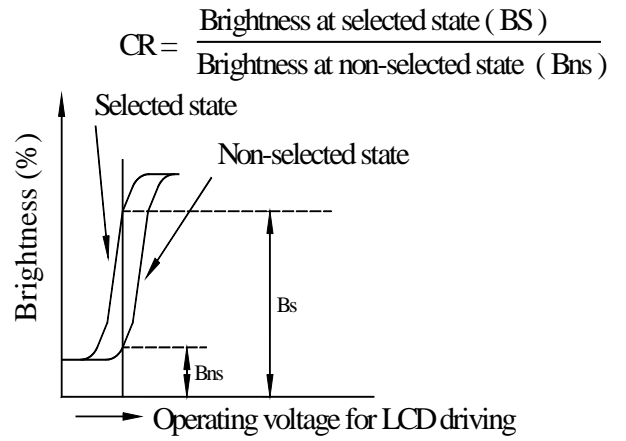
Item	Symbol	Condition	Min.	Typ.	Max.	Unit
View Angle	(V)	CR 3	10		60	deg
	(H)	CR 3	-45		45	deg
Contrast Ratio	CR	-		5	-	-
Response Time 25	T rise	-		100	150	ms
	T fall	-		150	200	ms

5.1 Definitions

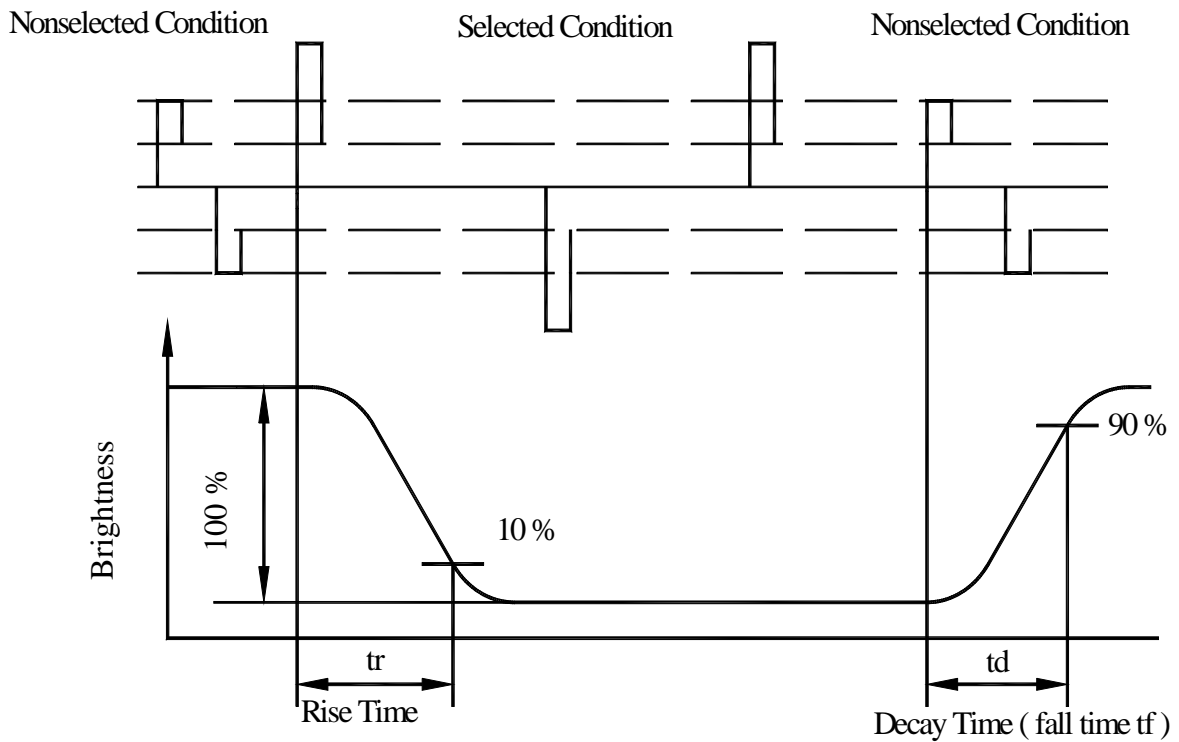
View Angles



Contrast Ratio



Response time



**6. Interface Pin Function**

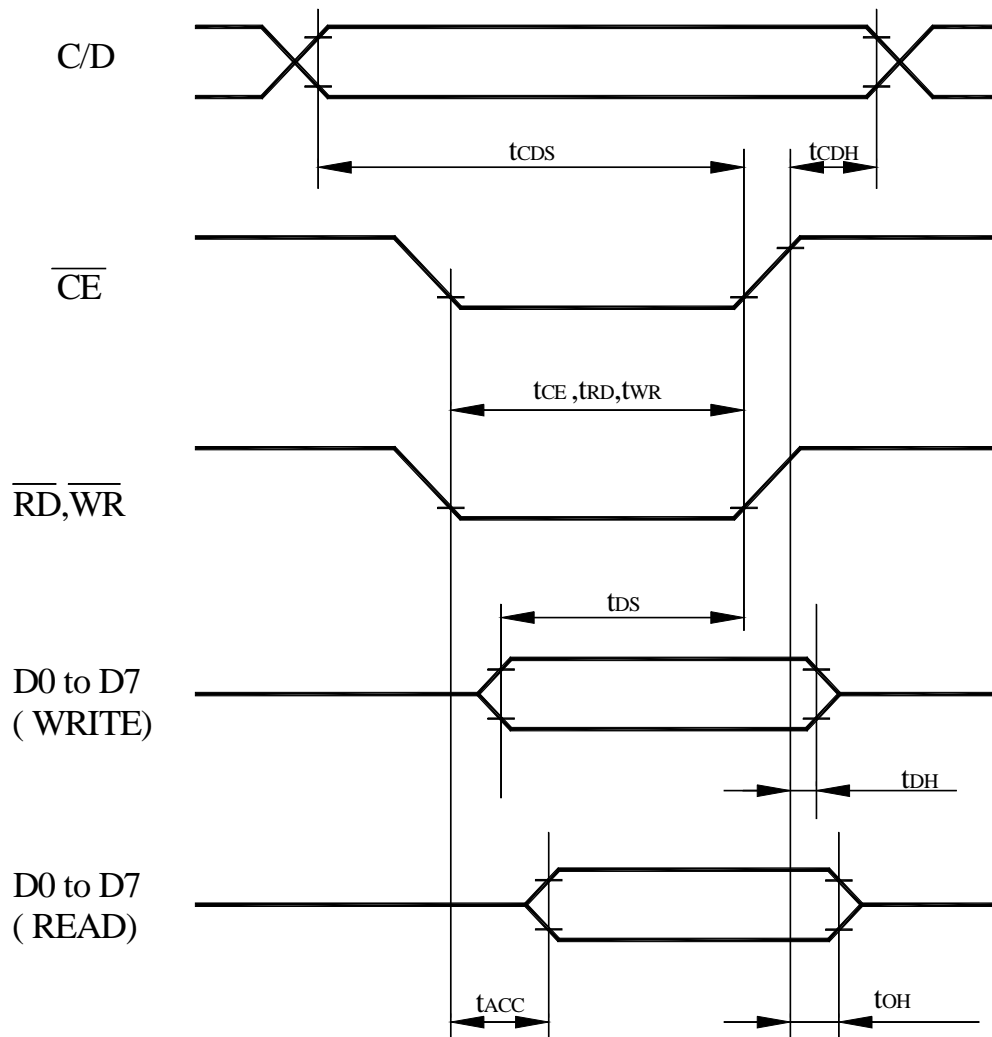
Pin No.	Symbol	Level	Description
1	NV	-5V	Negative volt. -5V output
2	VSS	0V	Power supply ( 0V )
3	VDD	5V	Power supply 5V
4	Vo	-	Power supply for LCD driver
5	WR	L	Data write. Write data into T6963C when WR = L
6	/RD	L	Data read. Read data from T6963C when RD = L
7	/CE	L	L : Chip enable
8	C/D	H / L	WR=L , C/D=H : Command Write C/D=L: Data write RD=L , C/D=H : Status Read C/D=L: Data read
9	/RST	H / L	H : Normal ; L : Initialize T6963C
10	DB0	H / L	Data bus line
11	DB1	H / L	Data bus line
12	DB2	H / L	Data bus line
13	DB3	H / L	Data bus line
14	DB4	H / L	Data bus line
15	DB5	H / L	Data bus line
16	DB6	H / L	Data bus line
17	DB7	H / L	Data bus line
18	FS	H / L	Pins for selection of font; H : 6 * 8 , L : 8 * 8
19	K		Power supply for Backlight -
20	A		Power supply for Backlight +(yellow green 4.2V) (white b/l 3.2V)

## 7. Timing Characteristics

### Bus Timing

( $V_{SS} = 0\text{ V}$ ,  $V_{DD} = 5\text{ V}$ )

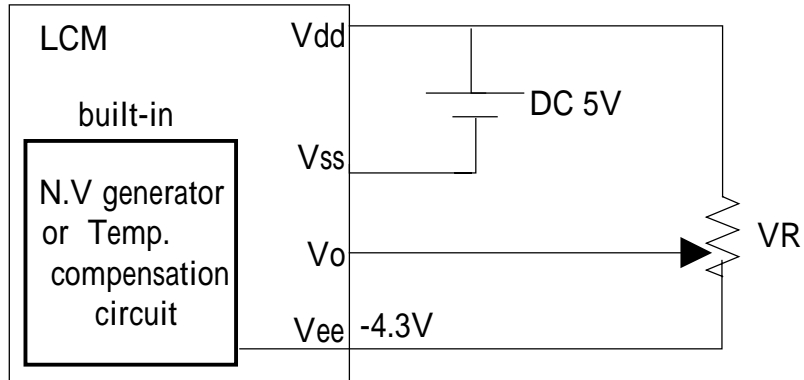
Item	Symbol	Min	Typ	Max	Unit
C/D Set-up Time	$t_{CDS}$	100	-	-	ns
C/D Hold Time	$t_{CDH}$	10	-	-	ns
CE, RD, WR Pulse Width	$t_{CDS}$ , $t_{RD}$ , $t_{WR}$	80	-	-	ns
Data Set-up Time	$t_{DS}$	80	-	-	ns
Data Hold Time	$t_{DH}$	40	-	-	ns
Access Time	$t_{ACC}$	-	-	150	ns
Output Hold Time	$t_{OH}$	10	-	50	ns



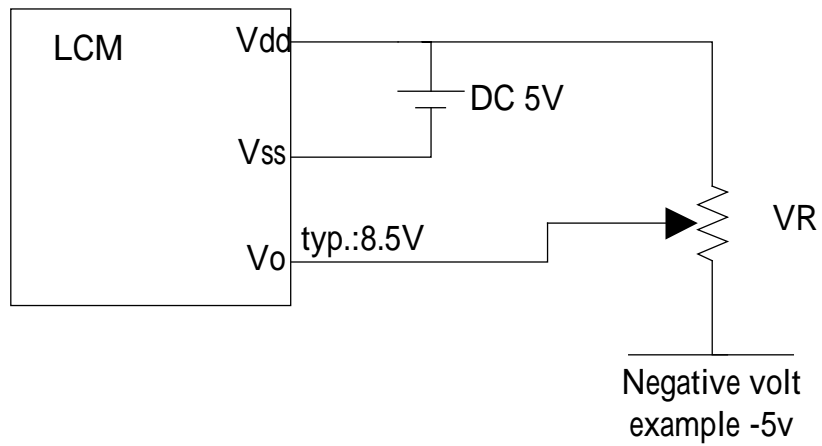


### 8. Power Supply for LCD Module and LCD Operating Voltage a Adjustment

\* LCM operating on " DC 5V " input with built-in negative voltage .



\* (Option) LCM operating on " DC 5V " input with external negative voltage .



## 9. Backlight Information

### 9.1 Specification

#### (1) LED bottom / yellow-green

Parameter	Symbol	Min	Typ	Max	Unit	Test Condition
Supply Current	I <sub>LED</sub>		480	560	mA	V=4.2V
Supply Voltage	V	-	4.2	4.3	V	
Reverse Voltage	V <sub>R</sub>	-	-	8	V	
Luminous Intensity	I <sub>V</sub>	80	120	-	cd/m <sup>2</sup>	I <sub>LED</sub> =480mA
Wave Length	p		574		nm	I <sub>LED</sub> =480mA
Life Time		-	100000	-	Hr.	V 4.2V
Color	Yellow Green					

#### (2) LED white

Parameter	Symbol	Min	Typ	Max	Unit	Test Condition
Supply Current	I <sub>LED</sub>		50	70	mA	V=3.2V
Supply Voltage	V	-	3.2	3.3	V	
Reverse Voltage	V <sub>R</sub>	-	-	8	V	
Luminous Intensity	I <sub>V</sub>	80	120	-	cd/m <sup>2</sup>	I <sub>LED</sub> =50mA
Wave Length	p		574		nm	I <sub>LED</sub> =50mA
Life Time		-	15000	-	Hr.	V 3.3V
Color	white					

# Bolymin, Inc.

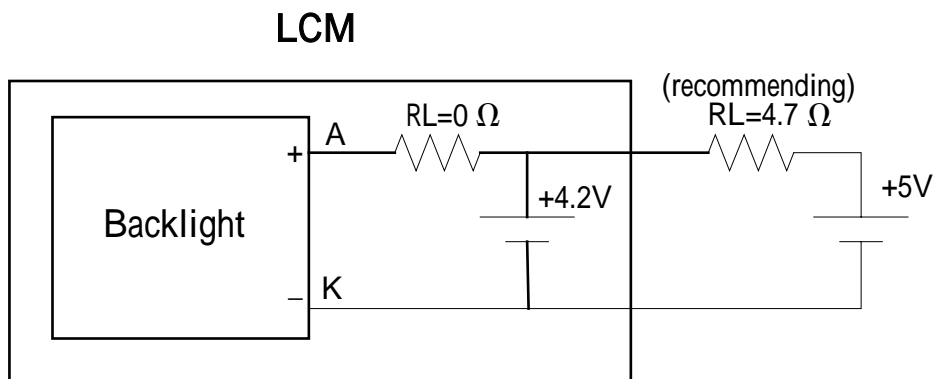
(2) EL / blue, white

Parameter	Symbol	Min	Typ	Max	Unit	Test Condition
Voltage	Vrms	--	110 (AC)		--	
Frequency	HZ	--	400		--	
Brightness*	cd/m <sup>2</sup>	48	60		--	110Vrms 400Hz
CIE Chromaticity Diagram	X	--	0.2901(white)		--	
			0.182 (blue)			
CIE Chromaticity Diagram	Y	--	0.3608(white)		--	
			0.460 (blue)			
Current Dissipation	mA/cm <sup>2</sup>	--	3.63		--	
Power Dissipation	mW/cm <sup>2</sup>	--	71.71		--	
Color	Blue , white					

## 9.2 Backlight Driving methods

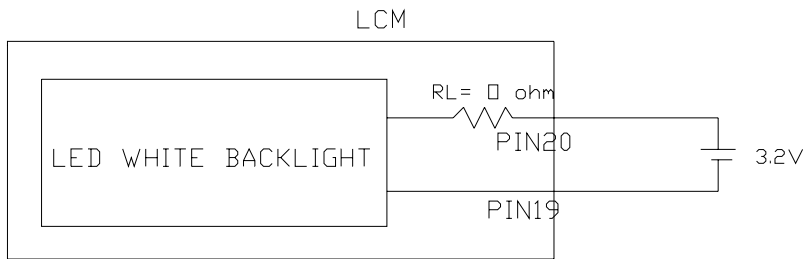
a. LED B/L drive from pin20,pin19

a.1 bottom (yellow-green)

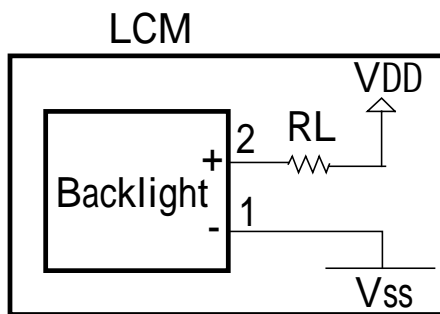


# Bolymin, Inc.

b. LED white B/L drive from pin20,pin19

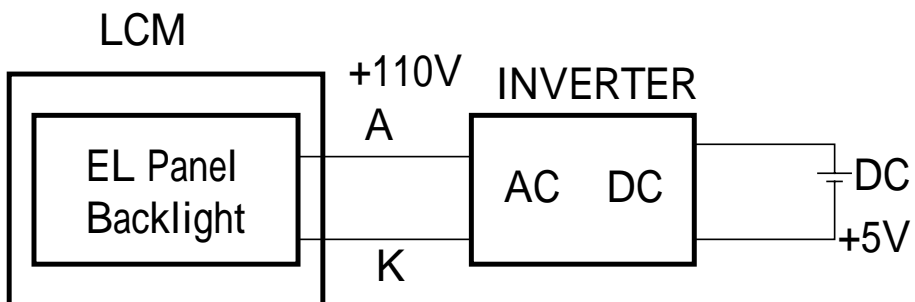


c. \* (Option) LED B/L drive from pin2 (Vss) pin3 (VDD)



- (1) Jump 1,2 Short
- (2) Current Resistor required on  $RL$
- (3) To be sure of enough current supply for both VDD + LED B/L

d. E/L B/L driven from A.K cable directly



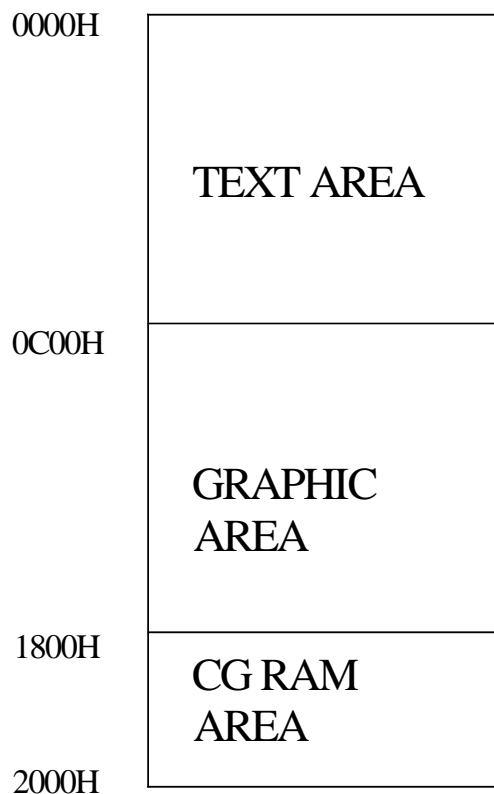
## 10. Display Control Instruction

The LCD Module has built in a T6963C LSI controller, It has an 8-bit parallel data bus and control lines for writing or reading through an MPU interface, it has a 128-word character generator ROM ( refer to Table 1. ), which can control an external display RAM of up to 8K bytes. Allocation of text, graphics and external character generator RAM can be made easily and the display window can be moved freely within the allocated memory range.

### •RAM Interface

The external RAM is used to store display data( text, graphic and external CG data ). It can be freely allocated to the memory area( 8 K byte max ).

Recommend



Flowchart of communications with MPU

(1) Status Read

A status check must be performed before data is read or written.

Status check

The Status of T6963C can be read from the data lines.

$\overline{\text{RD}}$	L
$\overline{\text{WR}}$	H
$\overline{\text{CE}}$	L
C/D	H
Do to D7	H

The T6963C status word format is as follows:

MSB

LSB

STA7	STA6	STA5	STA4	STA3	STA2	STA1	STA0
D7	D6	D5	D4	D3	D2	D1	D0

STA0	Check command execution capability	0:Disable 1:Enable
STA1	Check data read/write Capability	0:Disable 1:Enable
STA2	Check Auto mode data read capability	0:Disable 1:Enable
STA3	Check Auto mode data write capability	0:Disable 1:Enable
STA4	Not used	-
STA5	Check controller operation capability	0:Disable 1:Enable
STA6	Error flag. Used for Screen Peek and Screen copy commands.	0:No error 1:Error
STA7	Check the blink condition	0:Disable off 1:Normal display

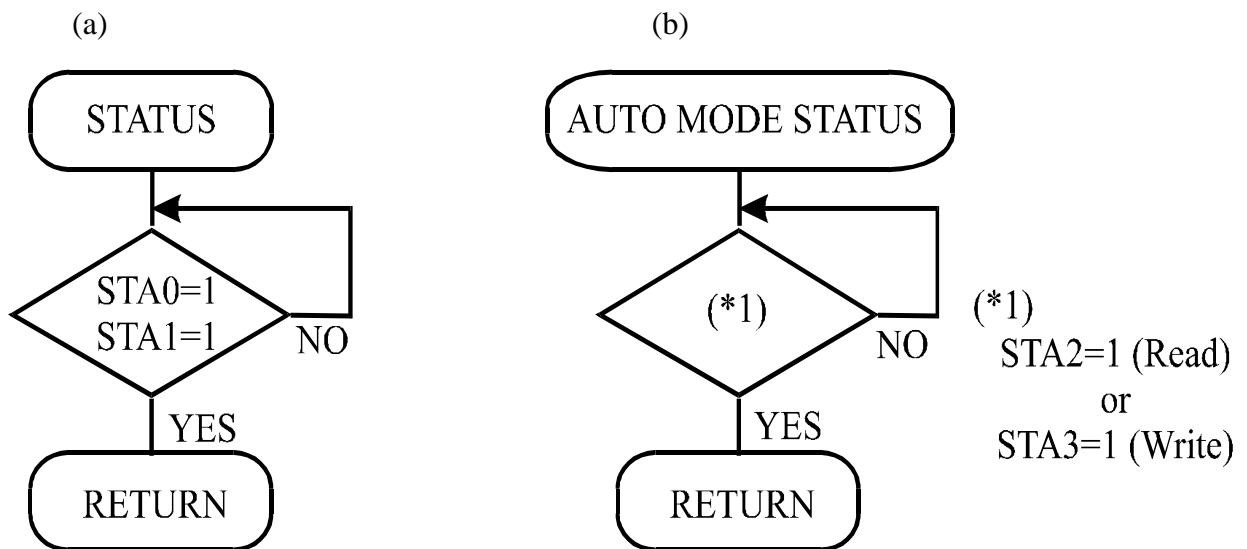
(Note 1) It is necessary to check STA0 and STA1 at the same time.

There is a possibility of erroneous operation due to a hardware interrupt.

(Note 2) For most modes STA0/STA1 are used as a status check.

(Note 3) STA2 and STA3 are valid in Auto mode; STA0 and STA1 are invalid.

Status Checking flow



(Note 4) When using the MSB=0 command, a Status Read must be performed.

If a status check is not carried out, the T6963C cannot operate normally, even after a delay time.

The hardware interrupt occurs during the address calculation period (at the end of each line).

If a MSB=0 command is sent to the T6963C during this period, the T6963C enters Wait status.

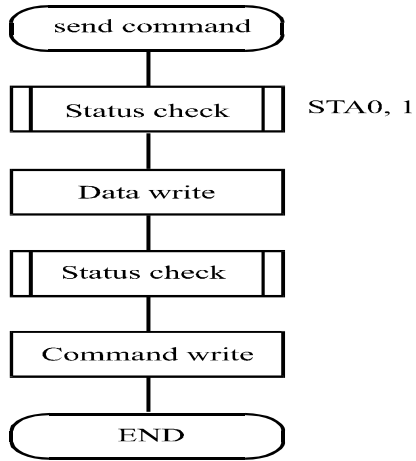
If a status check is not carried out in this state before the next command is sent, there is the possibility that the command or data data will not be received.

(2) Setting date

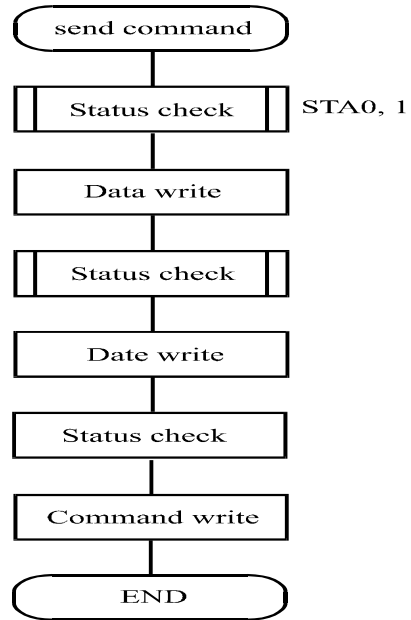
When using the T6963C, first set the data, then set the command.

Procedure for sending a command

(a) The case of 1 date



(b) The case of 2 data



(Note) When sending more than two data, the last datum (or last two data) is valid.

. COMMAND DEFINITIONS



COMMAND	CODE	D1	D2	FUNCTION
REGISTERS SETTING	00100001	X address	Y address	Set Cursor Pointer
	00100010	Date	00H	Set Offset Register
	00100100	Low address	High address	Set Address Pointer
SET CONTROL WORD	01000000	Low address	High address	Set Text Home Address
	01000001	Columns	00H	Set Text Area
	01000010	Low address	High address	Set Graphic Home Address
	01000011	Columns	00H	Set Graphic Area
MODE SET	1000×000	-	-	OR mode
	1000×001	-	-	EXOR mode
	1000×011	-	-	AND mode
	1000×100	-	-	Text Attribute mode
	10000×××	-	-	Internal CG ROM mode
	10001×××	-	-	External CG RAM mode
DISPLAY MODE	10010000	-	-	Display off
	1001××10	-	-	Cursor on, blink off
	1001××11	-	-	Cursor on, blink on
	100101××	-	-	Text on, graphic off
	100110××	-	-	Text off, graphic on
	100111××	-	-	Text on, graphic on
CURSOR PATTERN SELECT	10100000	-	-	1-line cursor
	10100001	-	-	2-line cursor
	10100010	-	-	3-line cursor
	10100011	-	-	4-line cursor
	10100100	-	-	5-line cursor
	10100101	-	-	6-line cursor
	10100110	-	-	7-line cursor
	10100111	-	-	8-line cursor
DATA AUTO READ/WRITE	10110000	-	-	Set Data Auto Write
	10110001	-	-	Set Data Auto Read
	10110010	-	-	Auto Reset
DATA READ/WRITE	11000000	Data	-	Data Write and Increment ADP
	11000001	-	-	Data Read and Increment ADP
	11000010	Data	-	Data Write and Decrement ADP
	11000011	-	-	Data Read and Decrement ADP Data
	11000100	Data	-	Write and Nonvariable ADP
	11000101	-	-	Data Read and Nonvariable ADP
SCREEN PEEK	11100000	-	-	Screen Peek

X :

invalid

COMMAND	CODE	D1	D2	FUNCTION
SCREEN COPY	11101000	-	-	Screen Copy
BIT SET/RESET	11110×××	-	-	Bit Reset
	11111×××	-	-	Bit Set
	1111× 001	-	-	Bit 0 (LSB)
	1111× 001	-	-	Bit 1
	1111× 010	-	-	Bit 2
	1111× 011	-	-	Bit 3
	1111× 100	-	-	Bit 4
	1111× 101	-	-	Bit 5
	1111× 110	-	-	Bit 6
	1111× 110	-	-	Bit 7 (MSB)
			-	-

invalid

. Setting registers

CODE	HEX.	FUNCTION	D1	D2
00100001	21H	SET CURSOR POINTER	X ADRS	Y ADRS
00100010	23H	SET OFFSET REGISTER	DATA	00H
00100100	24H	SET ADDRESS POINTER	LOW ADRS	HIGH ADRS

(1) Set Cursor Pointer

The position of the cursor is specified by X ADRS and Y ADRS. The cursor position can only be moved by this command. Data read/write from the MPU never changes the cursor pointer. X ADRS and Y ADRS are specified as follows.

X ADRS 00H to 4FH (lower 7 bits are valid)

Y ADRS 00H to 1FH (lower 5 bits are valid)

Single-Scan

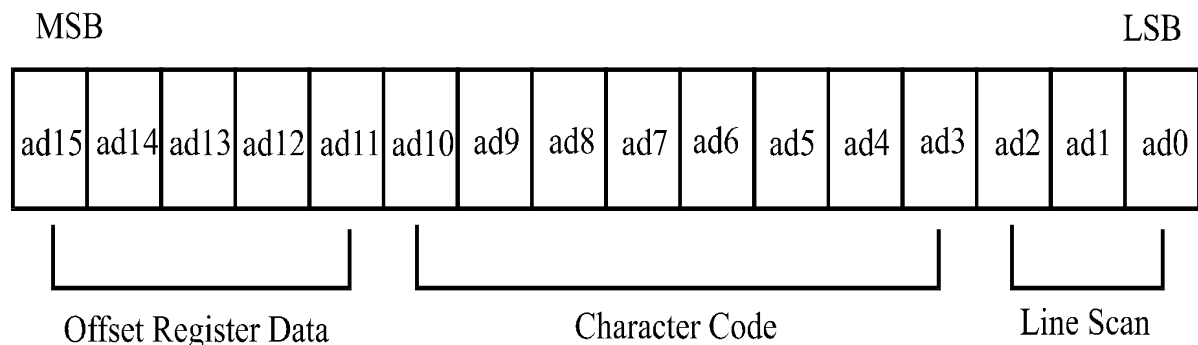
X ADRS 00 to 4FH



(2) Set Offset Register

The offset register is used to determine the external character generator RAM area.

The T6963C has a 16-bit address bus as follows.



T6963C assign External character generator, when character code set 80H TO FFH in using internal character generator. Character code 00H to 80H assign External character generator, when External generator mode.

The senior five bits define the start address in external memory of the CG RAM

area. The next eight bits represent the character code of the character. In internal CG ROM, character codes 00H to 7FH represent the predefined “internal” CG ROM characters, and codes 80H to FFH represent the user’s own “external” characters. In external CG ROM mode, all 256 codes from 00H to FFH can be used to represent the user’s own characters. The three least significant bits indicate one of the eight rows of eight dots that define the character’s shape.

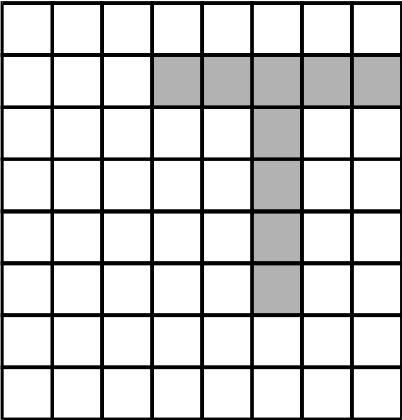
The relationship between display RAM address and offset register

Offset register data	CG RAM hex. address (start to end)
00000	0000 to 07 FFH
00001	0800 to 0FFFH
00010	1000 to 17FFH
11100	E000 to E7FFH
11101	E800 to EFFFH
11110	F000 to F7FFH
11111	F800 to FFFFH

(Example 1)

Offset register	02H
Character code	80H
Character generator RAM start address	0001 0100 0000 0000
	1 4 0 0

H

	(address)	(data)
	1400H	00H
	1401H	1FH
	1402H	04H
	1403H	04H
	1404H	04H
	1405H	04H
	1406H	04H
	1407H	00H

(Example 2) The relationship between display RAM data and display characters

	(RAM DATA)	(Character)
AB γ DE ζ GHIJKLM	21H	A
·	22H	B
·	83H	γ
·	24H	D
·	25H	E
·	86H	ζ

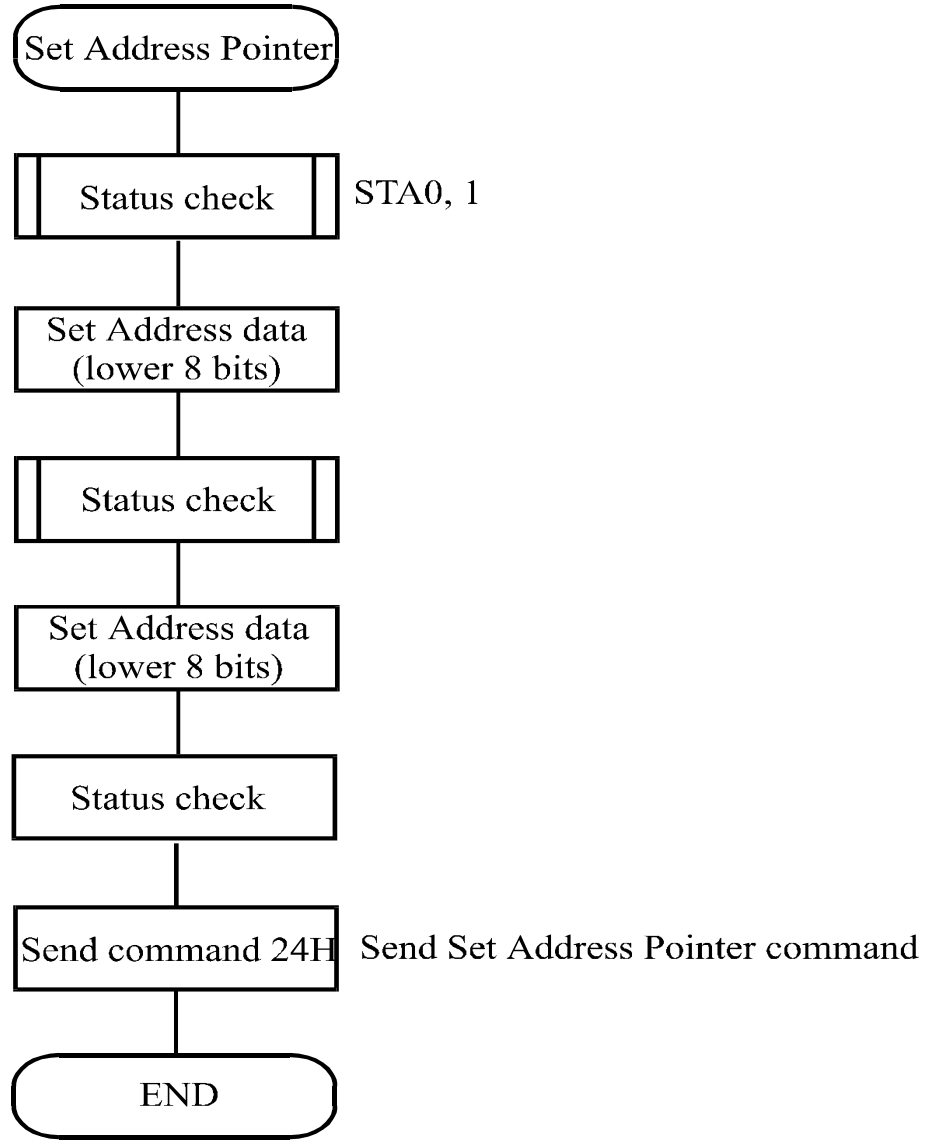
Display character

and are displayed by character generator RAM.

(3) Set Address Pointer

The Set Address Pointer command is used to indicate the start address for writing to (or reading from) external RAM.

The Flowchart for Set Address Pointer command



## Bolymin, Inc.

### . Set Control Word

CODE	HEX.	FUNCTION	D1	D2
01000000	40H	Set Text Home Address	Low address	High address
01000001	41H	Set Text Area	Columns	00H
01000010	42H	Set Graphic Home Address	Low address	High address
01000011	43H	Set Graphic Area	Columns	00H

The home address and column size are defined by this command.

#### (1) Set Text Home Address

The starting address in the external display RAM for text display is defined by this command.

The text home address indicates the leftmost and uppermost position.

The relationship between external display RAM address and display position

TH	-	TH+CL
TH+TA	-	TH+TA+CL
(TH+TA)+TA	-	TH+2TA+CL
(TH+2TA)+TA	-	TH+3TA+CL
-	-	-
TH+(n-1) TA	-	TH+(n-1) TA+CL

TH: Text home address

TA: Text area number (columns)

CL: Columns are fixed by hardware (pin-programmable).

## Bolymin, Inc.

(Example)

Text home address : 0000H  
Text area : 0020H  
: 32 Columns  
: 4 Lines

0000H	0001H	-	001EH	001FH
0020H	0021H	-	003EH	002FH
0040H	0041H	-	005EH	005FH
0060H	0061H	-	007EH	007FH

### (2) Set Graphic Home Address

The starting address of the external display RAM used for graphic display is defined by this command. The graphic home address indicates the leftmost and uppermost position.

The relationship between external display RAM address and display position

GH	-	GH+GL
GH+GA	-	GH+GA+CL
(GH+GA)+GA	-	GH+2GA+CL
(GH+2GA)+GA	-	GH+3GA+CL
-	-	-
GH+(n-1) GA	-	GH+(n-1) GA+CL

GH: Graphic home address

GA: Graphic area number (columns)

CL: Columns are fixed by hardware (pin-programmable).

## Bolymin, Inc.

(Example)

Graphic home address : 0000H  
Graphic area : 0020H  
: 32 Columns  
: 2 Lines

0000H	0001H	-	001EH	001FH
0020H	0021H	-	003EH	003FH
0040H	0041H	-	005EH	005FH
0060H	0061H	-	007EH	007FH
0080H	0081H	-	009EH	009FH
00A0H	00A1H	-	00BEH	00BFH
00C0H	00C1H		00DEH	00DFH
00E0H	00E1H	-	00FEH	00FFH
0100H	0101H	-	011EH	011FH
0120H	0121H	-	013EH	013FH
0140H	0141H	-	015EH	014FH
0160H	0161H	-	017EH	017FH
0180H	0181H	-	109EH	019FH
01A0H	01A1H	-	01BEH	01BFH
01C0H	01C1H	-	01DEH	01DFH
01E0H	01E1H	-	01FEH	01FFH



## Bolymin, Inc.

### (3) Set Text Area

The display columns are defined by the hardware Setting. This command can be used to adjust the columns of the display.

(Example)

LCD size                           20 columns, 4lines  
Text home address               0000H  
Text area                           0014H

Set 32 columns, 4 Lines

0000	0001		0013	0014		001F
0014	0015		0027	0028		0033
0028	0029		003B	003C		0047
003C	003D		004F	0050		005B

LCD

### (4) Set Graphic Area

The display columns are defined by the hardware setting. This command can be used to adjust the columns of the graphic display.

(Example)

LCD size                           20 columns, 2lines  
Graphic home address           : 0000H  
Graphic are                       : 0014H

Set 32 columns, 2 Lines

0000	0001		0013	0014		001F
0014	0015		0027	0028		0033
0028	0029		003B	003C		0047
003C	003D		004F	0050		005B
0050	0051		0063	0064		006F
0064	0065		0077	0078		0083
0078	0079		008B	008C		0097
008C	008D		009F	00A0		00AB
00A0	00A1		00B3	00B4		00BF
00B4	00B5		00C7	00C8		00D3
00C8	00C9		00DB	00DC		00E7
00DC	00DD		00EF	00F0		00FD
00F0	00F1		0103	0104		011F
0104	0105		0127	0128		0123
0128	0129		013B	0013C		00147
013C	013D		014F	0150		015B



If the graphic area setting is set to match the desired number of columns on the LCD, the addressing scheme will be automatically modified so that the start address of each line equals the end address of the previous line +1.

. Mode set

CODE	FUNCTION	OPERAND
1000x000	OR Mode	-
1000x001	EXOR Mode	-
1000x011	AND Mode	-
1000x100	TEXT ATTRIBUTE Mode	-
10000xxx	Internal Character Generator Mode	-
10001xxx	External Character Generator Mode	-

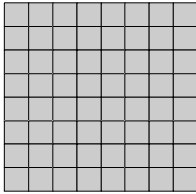
X: invalid

The display mode is defined by this command. The display mode does not change

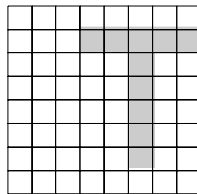
## Bolymin, Inc.

until the next command is sent. The logical OR, EXOR, AND of text or graphic display can be displayed. In Internal Character Generator mode, character codes 00H to 7FH are assigned to the built-in character generator ROM. The character codes 80H to FFH are automatically assigned to the external character generator RAM.

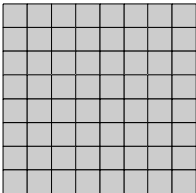
(Example)



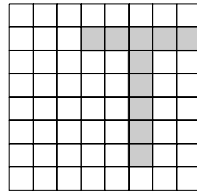
GRAPHIC



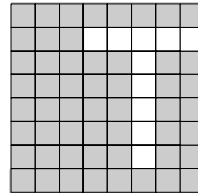
TEXT



“OR”



“AND”



“TXOR”

(Note) Attribute functions can only be applied to text display, since the attribute data is placed in the graphic RAM area.

## Bolymin, Inc.

### Attribute function

The attribute operations are Reverse display, Character blink and Inhibit. The attribute data is written into the graphic area which was defined by the Set Control Word command. Only text display is possible in Attribute Function mode; graphic display is automatically disabled. However, the Display Mode command must be used to turn both Text and Graphic on in order for the Attribute function to be available.

The attribute data for each character in the text area is written to the same address in the graphic area.

The Attribute function is defined as follows.

Attribute RAM 1byte

x	x	x	x	d3	d2	d1	d0
---	---	---	---	----	----	----	----

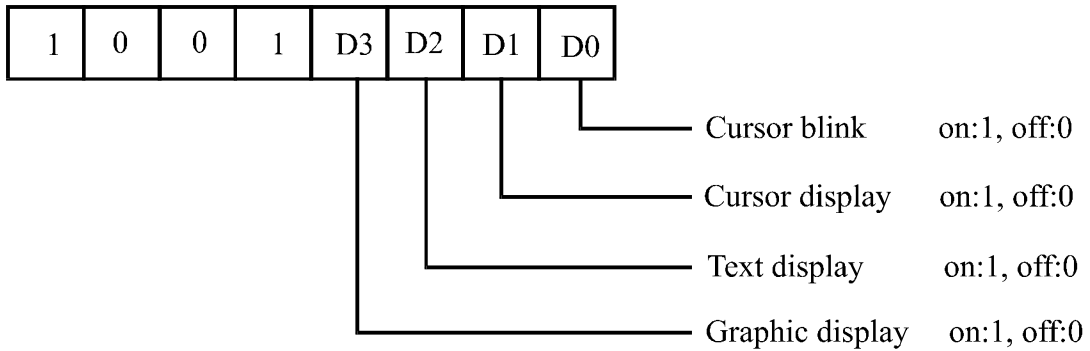
d3	d2	d1	d0	FUNCTION
0	0	0	0	Normal display
0	1	0	1	Reverse display
0	0	1	1	Inhibit display
1	0	0	0	Blink of normal display
1	1	0	1	Blink of reverse display
1	0	1	1	Blink of inhibit display

X: invalid

Display mode

CODE	FUNCTION	OPERAND
10010000	Display off	-
1001xx10	Cursor on, blink off	-
1001xx11	Cursor on, blink on	-
100101xx	Text on, graphic off	-
100110xx	Text off, graphic on	-
100111xx	Text on, graphic on	-

X:invalid



(Note) It is necessary to turn on “Text display” and “Graphic display” in the following cases.

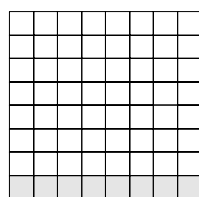
- a) Combination of text/graphic display
- b) Attribute function

Cursor pattern select

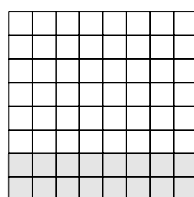
CODE	FUNCTION	OPERAND
10100000	1-line cursor	-
10100001	2-line cursor	-
10100010	3-line cursor	-
10100011	4-line cursor	-
10100100	5-line cursor	-
10100101	6-line cursor	-
10100110	7-line cursor	-
10100111	8-line cursor	-

When cursor display is ON, this command selects the cursor pattern in the range 1 line to 8 lines.

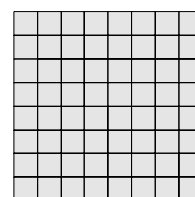
The cursor address is defined by the Cursor Pointer Set command.



1-line cursor



2-line cursor



8-line cursor

Data Auto Read/Write

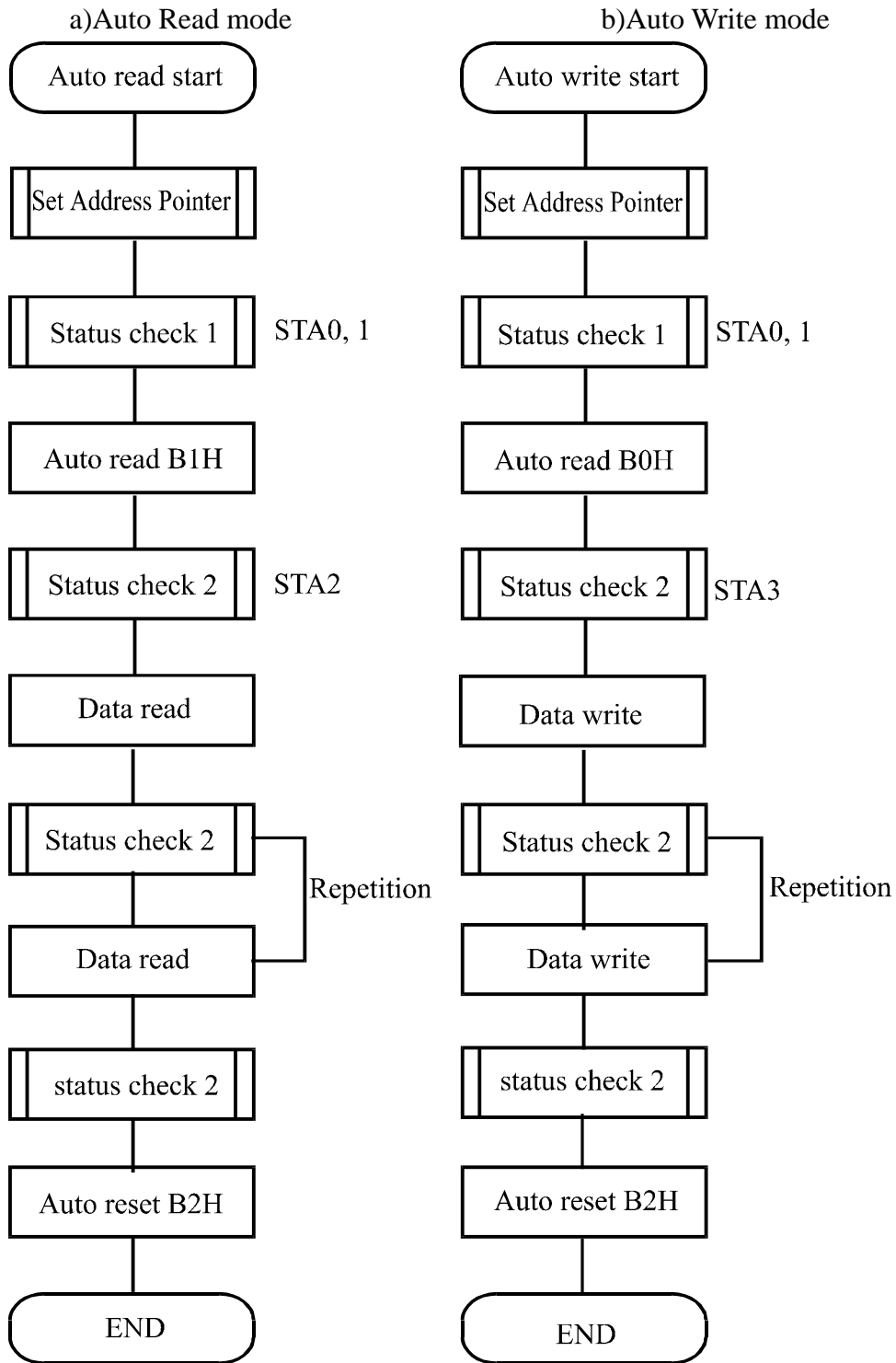
<b>CODE</b>	<b>HEX.</b>	<b>FUNCTION</b>	<b>OPERAND</b>
10110000	B0H	Set Data Auto Write	-
10110001	B1H	Set Data Auto Read	-
10110010	B2H	Auto Reset	-

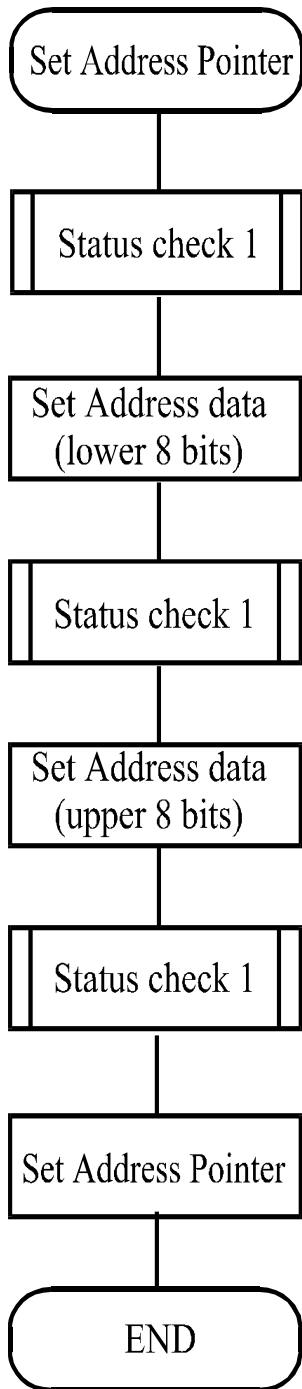
The command is convenient for sending a full screen of data from the external display RAM. After setting Auto mode, a Data Write (or Read) command is need not be sent between each datum. A Data Auto Write (or Read) command must be sent after a Set Address Pointer command. After this command, the address pointer is automatically incremented by 1 after each datum. In Auto mode, the T6963C cannot accept any other commands.

The Auto Reset command must be sent to the T69963C after all data has been sent, to clear Auto mode.

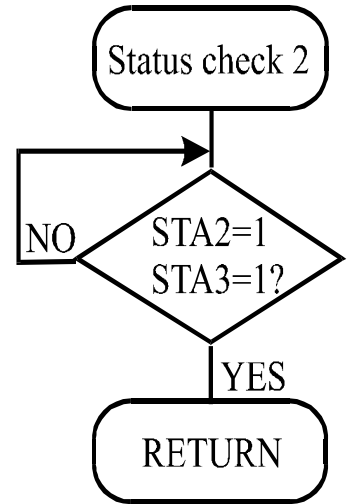
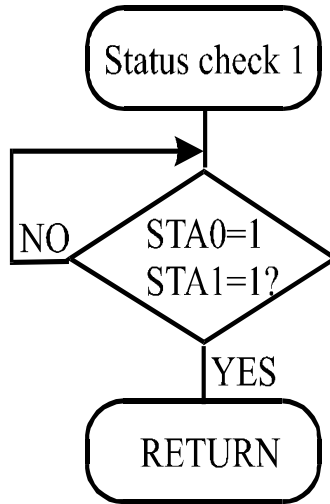
(Note) A Status check for Auto mode

(STA2, STA3 should be checked between sending of each datum. Auto Reset should be performed after checking STA3=1 (STA2=1.) Refer to the following flowchart.





STA0,1



Send Set Address Pointer command



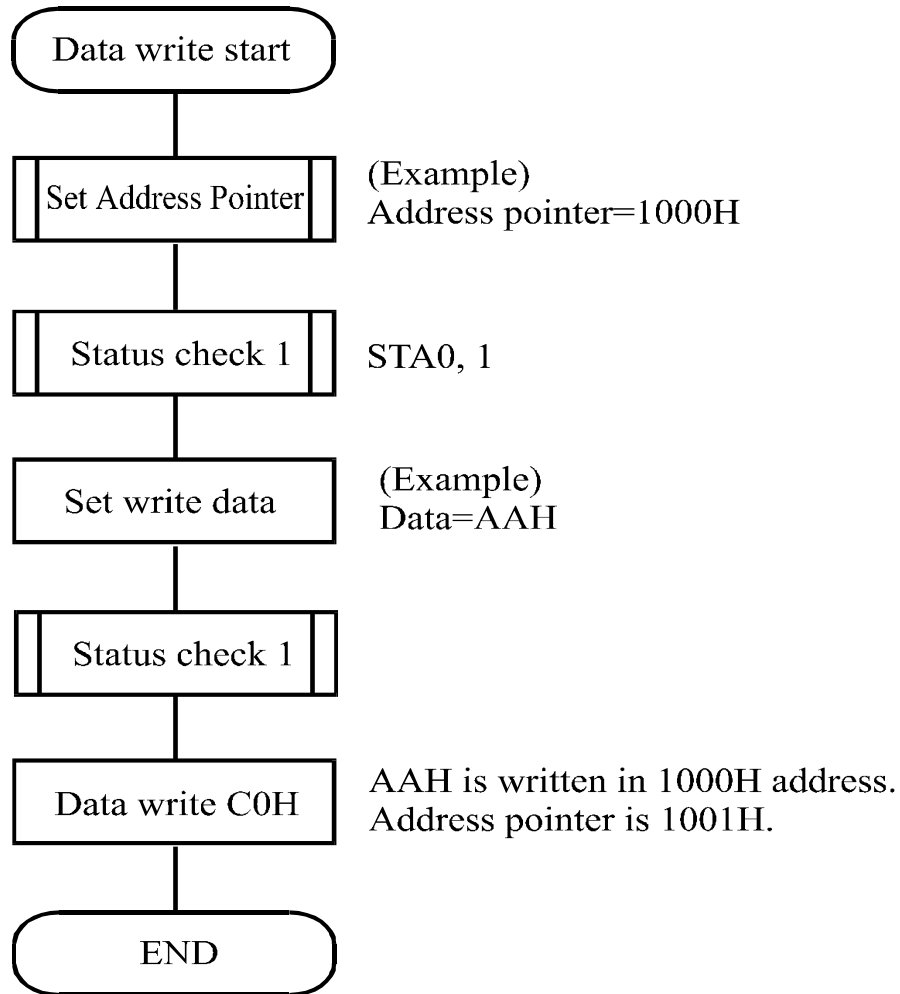
## Date Read/Write

<b>CODE</b>	<b>HEX.</b>	<b>FUNCTION</b>	<b>OPERAND</b>
11000000	C0H	Data Write and Increment ADP	Data
11000001	C1H	Data Read and Increment ADP	-
11000010	C2H	Data Write and Decrement ADP	Data
11000011	C3H	Data Read and Decrement ADP	-
11000100	C4H	Data Write and Nonvariable ADP	Data
11000101	C5H	Data Read and Nonvariable ADP	-

This command is used for writing data from the MPU to external display RAM, and reading data from external display RAM to the MPU. Data Write/Data Read should be executed after setting address using Set Address Pointer command. The address pointer can be automatically incremented or decremented using this command.

(Note) This command is necessary for each 1-byte datum.

Refer to the following flowchart.



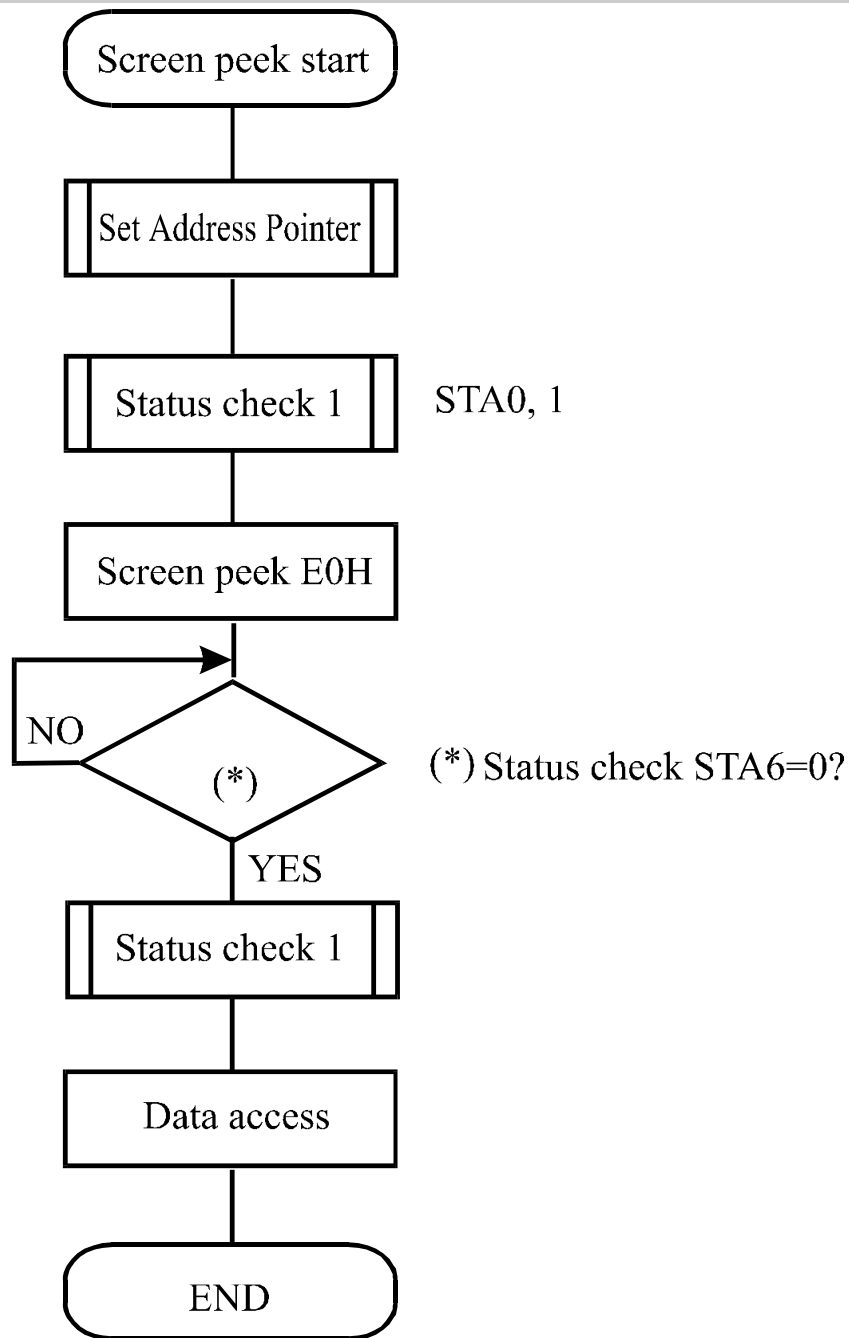
Screen Peek

CODE	HEX.	FUNCTION	OPERAND
11100000	E0H	Screen Peek	- e

This command is used to transfer 1 byte of displayed data to the data stack; this byte can then be read from the MPU by data access. The logical combination of text and graphic display data on the LCD screen can be read by this command.

The status (STA6) should be checked just after the Screen Peek command. If the address determined by the Set Address Pointer command is not in the graphic area, this command is ignored and a status flag (STA6) is set.

Refer to the following flowchart.



Screen Copy

CODE	HEX.	FUNCTION	OPERAND
11101000	E8H	Screen Copy	-

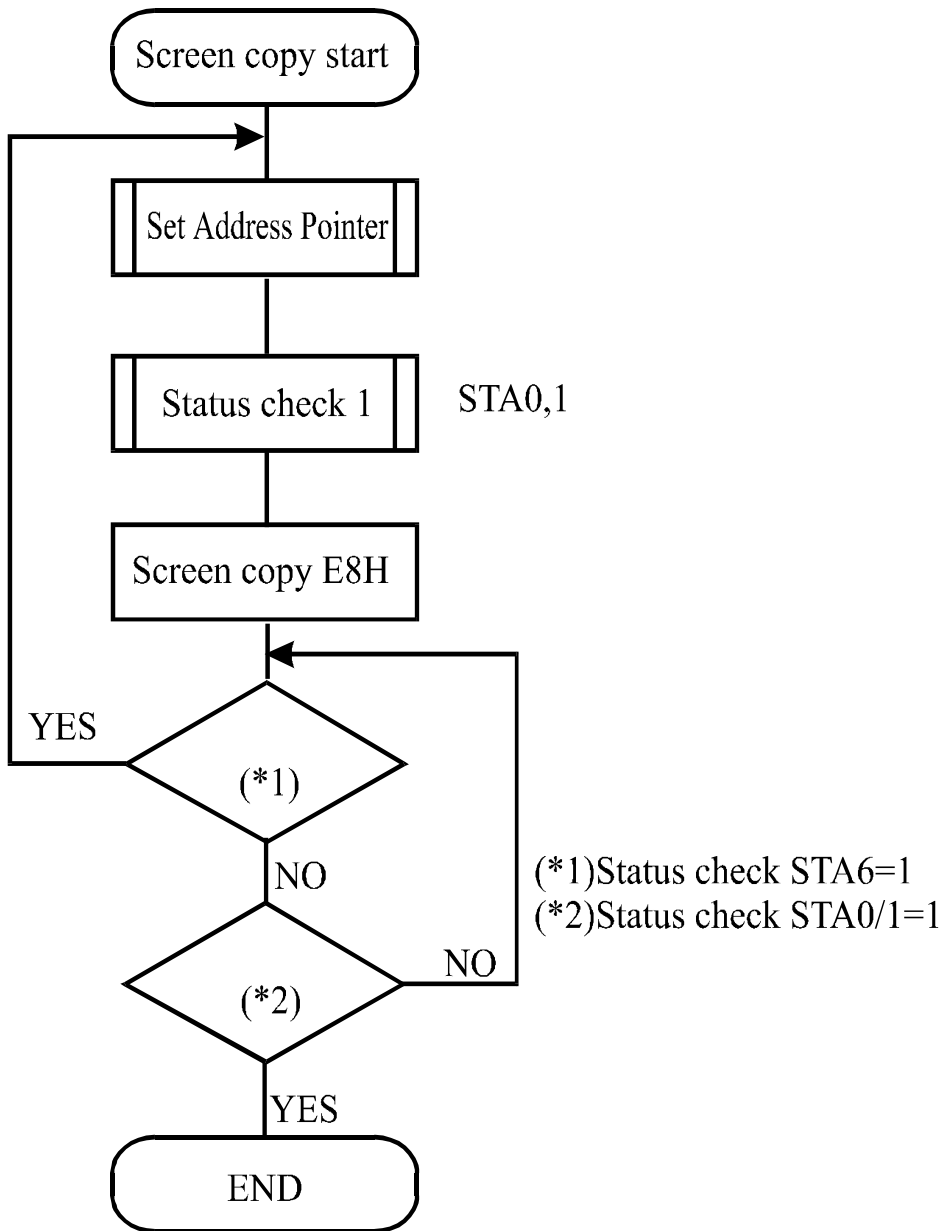
This command copies a single raster line of data to the graphic area.

The start point must be set using the Set Address Pointer command.

(Note 1) If the attribute function is being used, this command is not available.

(With Attribute data is graphic area data.)

Refer to the following flowchart.



## Bit Set/Reset

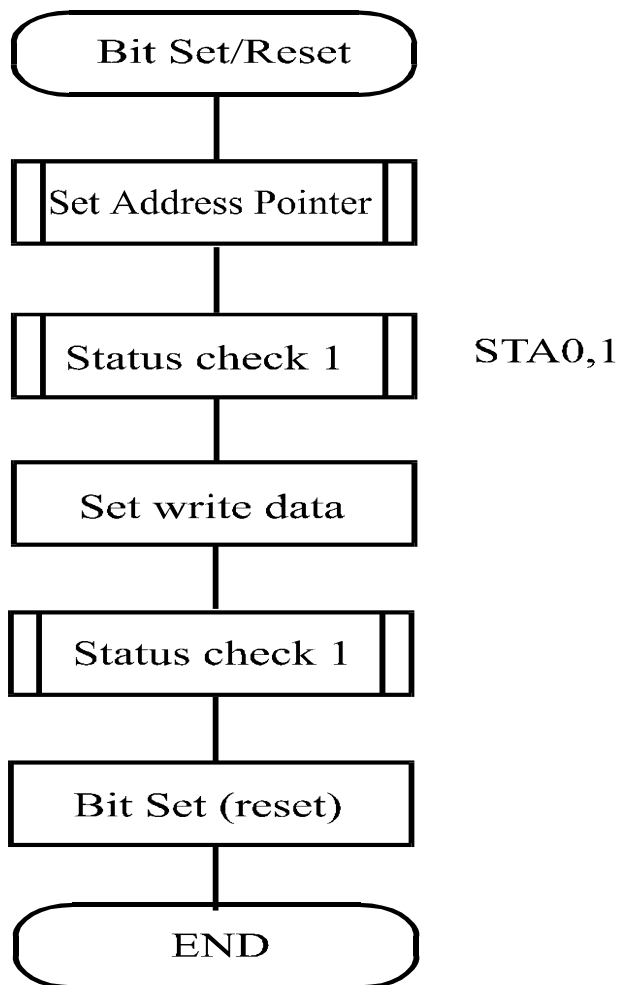
<b>CODE</b>	<b>FUNCTION</b>	<b>OPERAND</b>
11110xxx	Bit Reset	-
11111xxx	Bit Set	-
1111x000	Bit 0 (LSB)	-
1111x001	Bit 1	-
1111x010	Bit 2	-
1111x011	Bit 3	-
1111x100	Bit 4	-
1111x101	Bit 5	-
1111x110	Bit 6	-
1111x111	Bit 7 (MSB)	-

X: invalid

This command use to set or reset a bit of the byte specified by the address pointer.

Only one bit can be set/reset at a time.

Refer to the following flowchart.



Upper 4 bit Lower 4 bit	LLLL	LLLH	LLHL	LLHH	LHLL	LHLH	LHHL	LHHH
LLLL		0	1	2	3	4	5	6
LLLH	.	7	8	9	A	B	C	D
LLHL	"	Z	B	R	b	r	e	E
LLHH	#	3	C	S	c	s	a	S
LHLL	*	4	D	T	t	a	s	S
LHLH	%	5	E	U	e	u	a	S
LHHL	&	6	F	V	f	v	a	S
LHHH	'	7	G	W	g	w	a	S
HLLL	(	8	H	X	h	x	a	S
HLLH	)	9	I	Y	i	y	a	S
HLHL	*	J	Z	z	a	S	S	S
HLHH	+	K	C	k	c	a	S	S
HHLL	,	L	N	l	n	a	S	S
HHLH	-	M	O	m	o	a	S	S
HHHL	.	X	n	a	S	S	S	S
HHHH	/	0	a	S	S	S	S	S

11. Quality Assurance

Screen Cosmetic Criteria

No.	Defect	Judgement Criterion	Partition																				
1	Spots	<p>A) Clear</p> <table border="1"> <thead> <tr> <th>Size:d mm</th> <th>Acceptable Qty in active area</th> </tr> </thead> <tbody> <tr> <td>d 0.1</td> <td>Disregard</td> </tr> <tr> <td>0.1&lt;d 0.2</td> <td>6</td> </tr> <tr> <td>0.2&lt;d 0.3</td> <td>2</td> </tr> <tr> <td>0.3&lt;d</td> <td>0</td> </tr> </tbody> </table> <p>Note:Including pin holes and defective dots which must be within one pixel size.</p> <p>B) Unclear</p> <table border="1"> <thead> <tr> <th>Size:d mm</th> <th>Acceptable Qty in active area</th> </tr> </thead> <tbody> <tr> <td>d 0.2</td> <td>Disregard</td> </tr> <tr> <td>0.2&lt;d 0.5</td> <td>6</td> </tr> <tr> <td>0.5&lt;d 0.7</td> <td>2</td> </tr> <tr> <td>0.7&lt;d</td> <td>0</td> </tr> </tbody> </table>	Size:d mm	Acceptable Qty in active area	d 0.1	Disregard	0.1<d 0.2	6	0.2<d 0.3	2	0.3<d	0	Size:d mm	Acceptable Qty in active area	d 0.2	Disregard	0.2<d 0.5	6	0.5<d 0.7	2	0.7<d	0	Minor
Size:d mm	Acceptable Qty in active area																						
d 0.1	Disregard																						
0.1<d 0.2	6																						
0.2<d 0.3	2																						
0.3<d	0																						
Size:d mm	Acceptable Qty in active area																						
d 0.2	Disregard																						
0.2<d 0.5	6																						
0.5<d 0.7	2																						
0.7<d	0																						
2	Bubbles in Polarizer	<table border="1"> <thead> <tr> <th>Size:d mm</th> <th>Acceptable Qty in active area</th> </tr> </thead> <tbody> <tr> <td>d 0.3</td> <td>Disregard</td> </tr> <tr> <td>0.3&lt;d 1.0</td> <td>3</td> </tr> <tr> <td>1.0&lt;d 1.5</td> <td>1</td> </tr> <tr> <td>1.5&lt;d</td> <td>0</td> </tr> </tbody> </table>	Size:d mm	Acceptable Qty in active area	d 0.3	Disregard	0.3<d 1.0	3	1.0<d 1.5	1	1.5<d	0	Minor										
Size:d mm	Acceptable Qty in active area																						
d 0.3	Disregard																						
0.3<d 1.0	3																						
1.0<d 1.5	1																						
1.5<d	0																						
3	Scratch	In accordance with spots cosmetic criteria. When the light reflects on the panel surface, the scratches are not to be remarkable.	Minor																				
4	Allowable Density	Above defects should be separated more than 30mm each other.	Minor																				
5	Coloration	Not to be noticeable coloration in the viewing area of the LCD panels. Back-light type should be judged with back-light on state only.	Minor																				



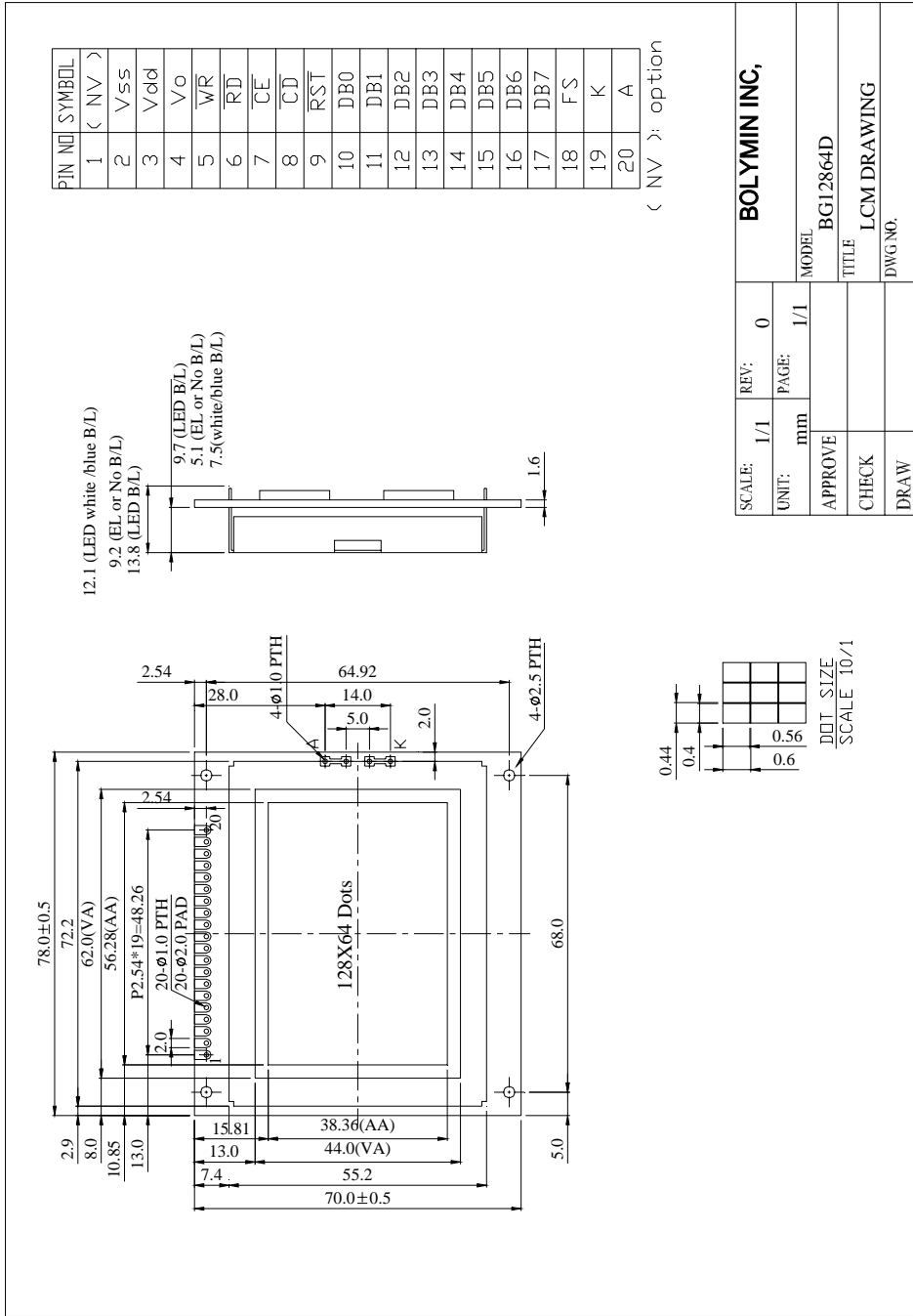
**12. Reliability**

Content of Reliability Test

Environmental Test				
No.	Test Item	Content of Test	Test Condition	Applicable Standard
1	High Temperature storage	Endurance test applying the high storage temperature for a long time.	80 200hrs	—
2	Low Temperature storage	Endurance test applying the high storage temperature for a long time.	-30 200hrs	—
3	High Temperature Operation	Endurance test applying the electric stress (Voltage & Current) and the thermal stress to the element for a long time.	70 200hrs	—
4	Low Temperature Operation	Endurance test applying the electric stress under low temperature for a long time.	-20 200hrs	—
5	High Temperature/ Humidity Storage	Endurance test applying the high temperature and high humidity storage for a long time.	60 ,90%RH 96hrs	—
6	High Temperature/ Humidity Operation	Endurance test applying the electric stress (Voltage & Current) and temperature / humidity stress to the element for a long time.	40 ,90%RH 96hrs	—
7	Temperature Cycle	<p>Endurance test applying the low and high temperature cycle.</p> <p style="text-align: center;"> <span style="margin-right: 20px;">←</span> <span style="margin-right: 20px;">-30      25      80</span> <span style="margin-left: 20px;">→</span> </p> <p style="text-align: center;"> <span style="margin-right: 20px;">30min</span> <span style="margin-right: 20px;">5min</span> <span style="margin-left: 20px;">30min</span> </p> <p style="text-align: center;">————— 1 cycle</p>	-30 /80 10 cycles	—
Mechanical Test				
8	Vibration test	Endurance test applying the vibration during transportation and using.	10~22Hz 1.5mmp-p 22~500Hz 1.5G Total 0.5hrs	—
9	Shock test	Constructional and mechanical endurance test applying the shock during transportation.	50G Half sign wave 11 msdc 3 times of each direction	—
10	Atmospheric pressure test	Endurance test applying the atmospheric pressure during transportation by air.	115mbar 40hrs	—
Others				
11	Static electricity test	Endurance test applying the electric stress to the terminal.	VS=800V,RS=1.5k CS=100pF 1 time	—

\*\*\*Supply voltage for logic system=5V. Supply vo

13. Outline dimension



SCALE:	1/1	REV:	0
UNIT:	mm	PAGE:	1/1
APPROVE			
CHECK			
DRAW			
<b>BOLYMIN INC.</b>			
		MODEL	BG12864D
		TITLE	LCM DRAWING
		DWG. NO.	