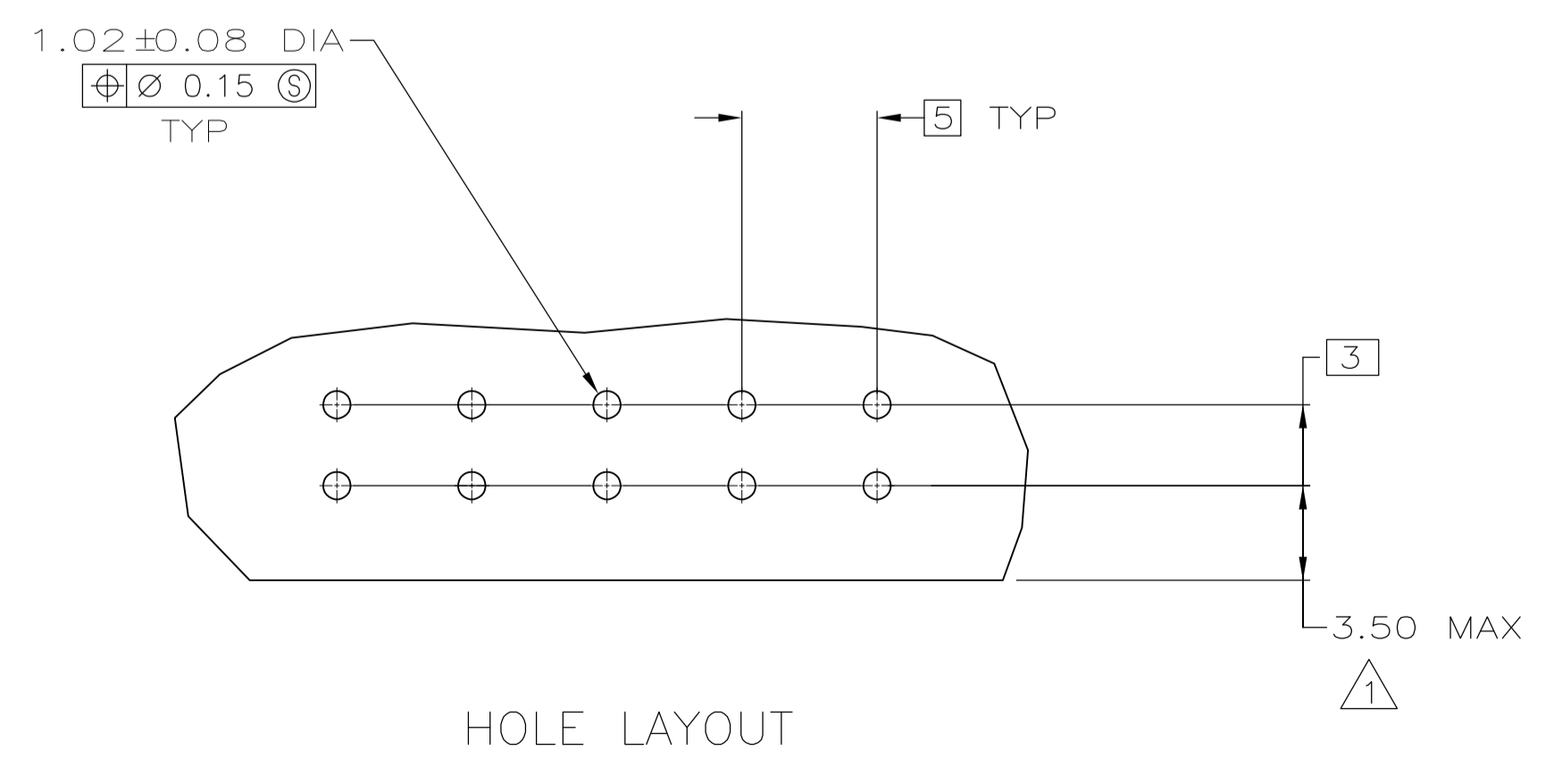
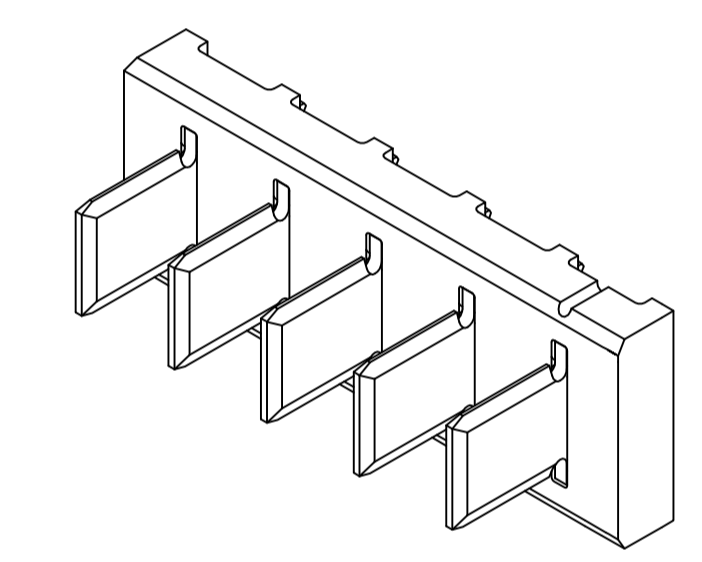
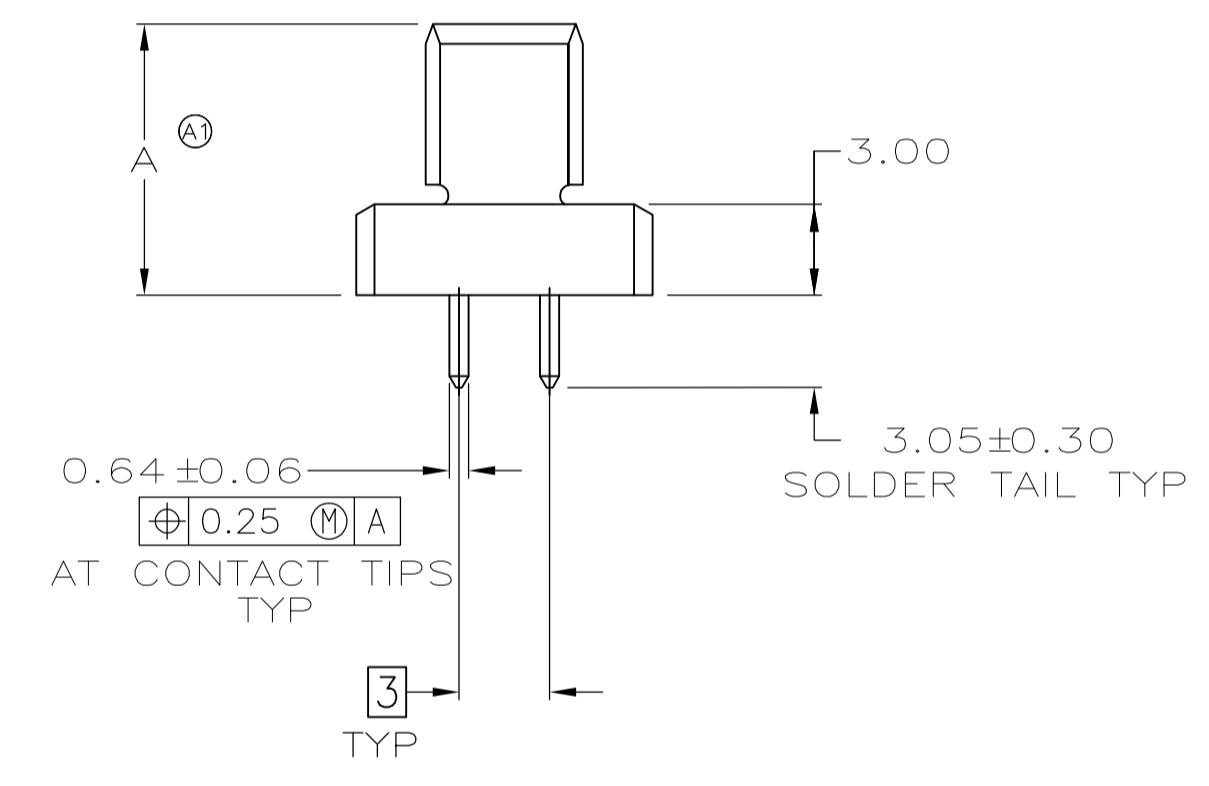
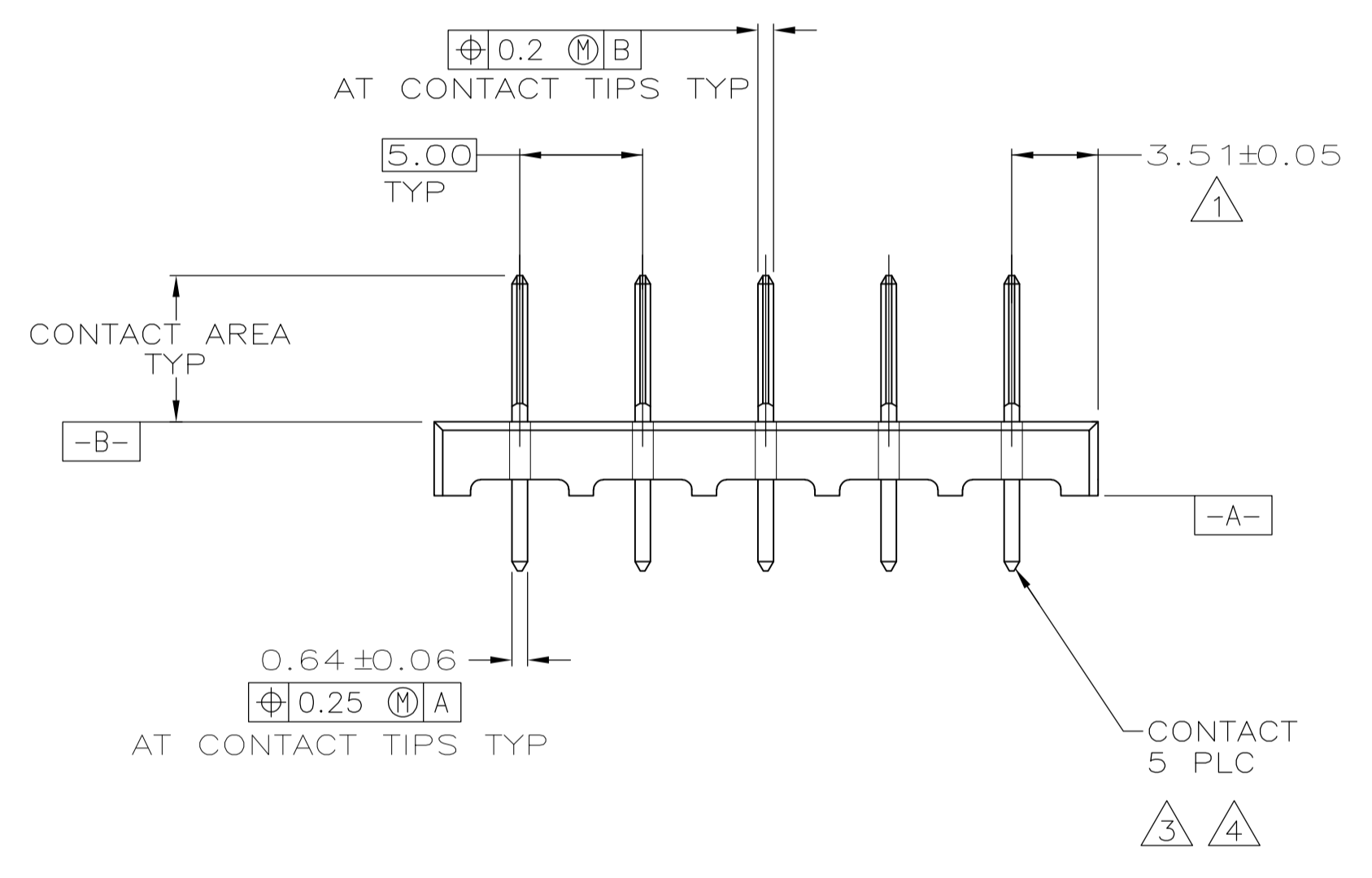


- △ COORDINATE DIMENSION APPLIES FROM CENTER OF ACTUAL FEATURE.
- △ HOUSING: POLYPHTHALAMIDE, COLOR BLACK.
- △ 2.54 μm MIN TIN ON SOLDER TAIL OVER 1.90 μm MIN NICKEL ALL OVER.
- △ CONTACTS: BRASS



9.95	STANDARD	5787444-2
8.95	STANDARD	5787444-1
DIM A	PACKAGING TYPE	PART NO

THIS DRAWING IS A CONTROLLED DOCUMENT.

DIMENSIONS:	TOLERANCES UNLESS OTHERWISE SPECIFIED:	DIN	19APROS	WENKE HE	19APROS
mm		CHK	19APROS	STEVEN YAO	19APROS
		APVD	19APROS	IENOMOTO	19APROS
		PRODUCT SPEC			
		APPLICATION SPEC			
MATERIAL	SEE CALLOUTS	FINISH	SEE CALLOUTS	WEIGHT	—
SEE CALLOUTS				SIZE	CAGE CODE
				A1	00779
				SCALE	4:1
				SHEET	1 OF 1
				REV	A2

STE TE Connectivity

HEADER ASSEMBLY, VERTICAL, KEYLESS, 5mm E, 5 POSN, STRAIGHT SOLDER TAILS, BATTERY INTERCONNECT

CUSTOMER DRAWING