

2JCP1340101Ga

GNSS Ceramic Thru-Hole Mount

Key Features

GPS/GLONASS/QZSS/Galileo

- 1575-1606 MHz

Thru-Hole Mount

High Gain

Ground Plane Dependent

Dimensions 13 x 13 x 4 mm

Please check our Development Kit

2JDK0401Ga-A28



1. Antenna and electrical specifications

Parameters	GNSS Ceramic Thru-Hole Mount Antenna	
	GPS/QZSS/Galileo	GLONASS
Standards	GPS/QZSS/Galileo	GLONASS
Bands (MHz)	1575	1602
Frequency (MHz)	1575.42	1598-1606
Return Loss (dB)	~-9.3	~-18.7
VSWR	~2.0:1	~1.6:1
Efficiency (%)	~58.5	~54.6
Peak Gain (dBi)	~3.5	~3.1
Average Gain (dB)	~-2.3	~-2.6
Impedance (Ohms)	50	
Radiation Pattern	Hemispherical	

Antenna Measurement Conditions:

Free Space

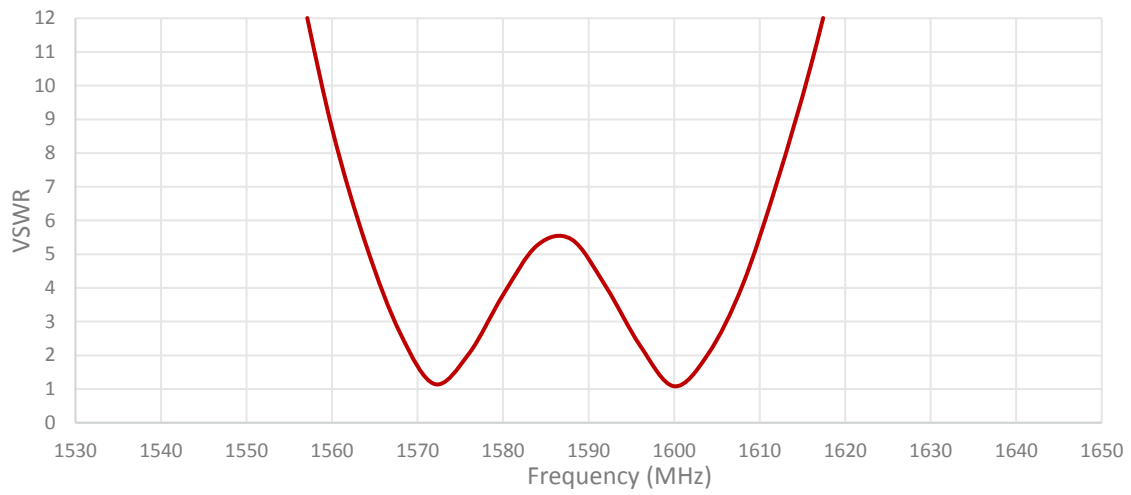
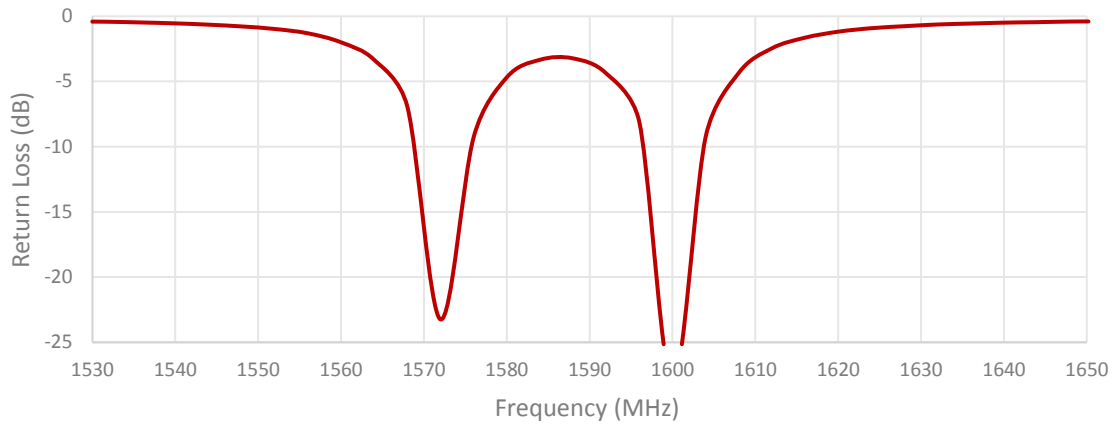
Mounted on Ground Plane of 70 x 70 mm

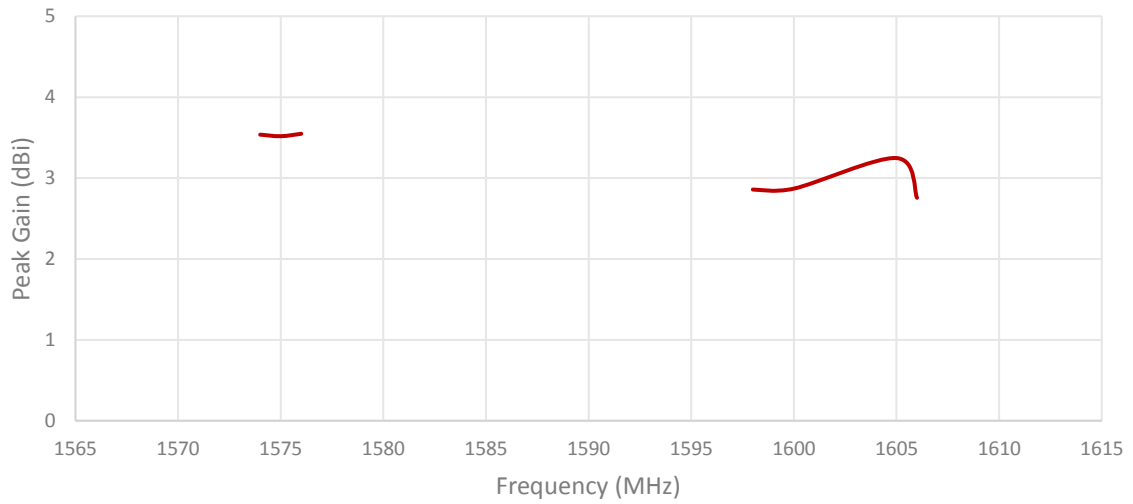
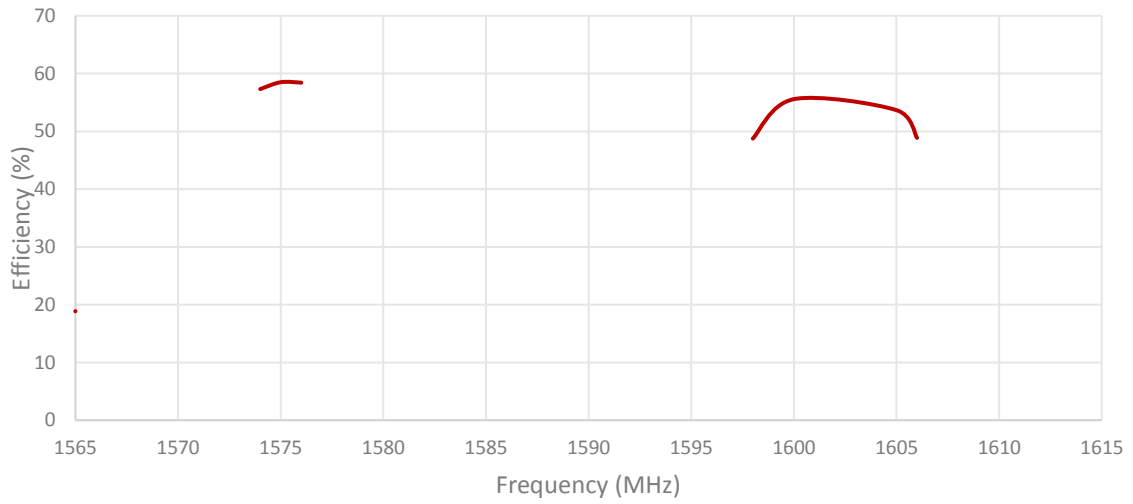
Measured in Certified CTIA 3D Anechoic Chamber

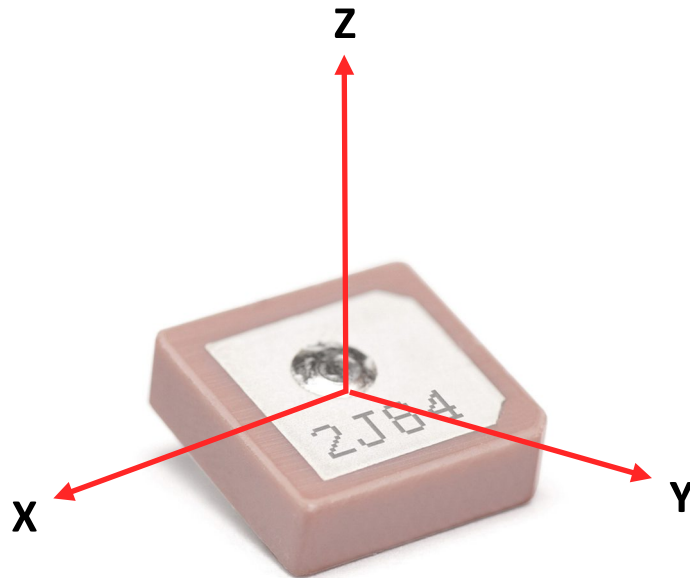
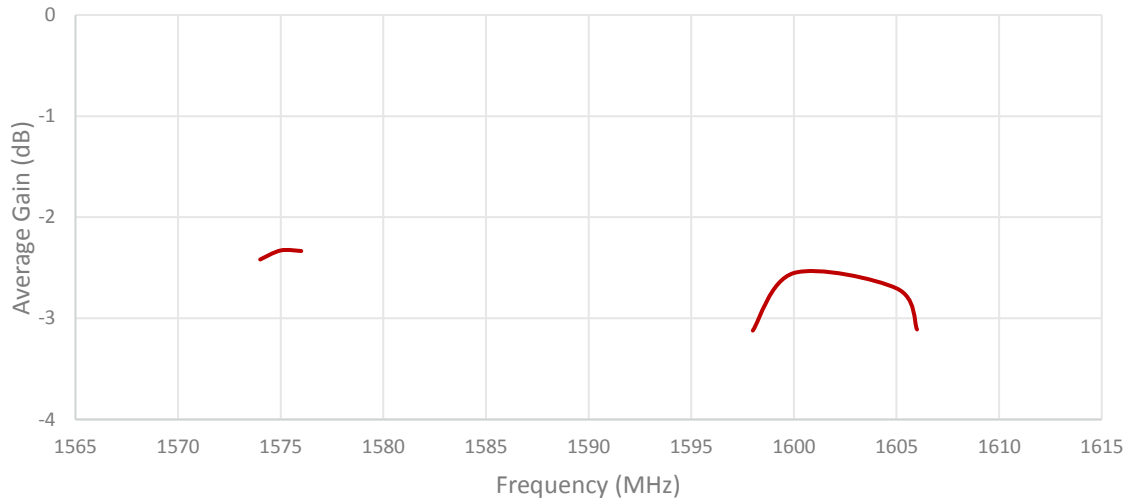
2. Mechanical and environmental specifications

Specifications	2JCP1340101Ga
Mounting Type	Thru-Hole Mount
Dimensions (mm)	13 x 13 x 4
Operating Temperature (C)	-40 to +85
Storage Temperature (C)	-40 to +85
Substance Compliance	RoHS

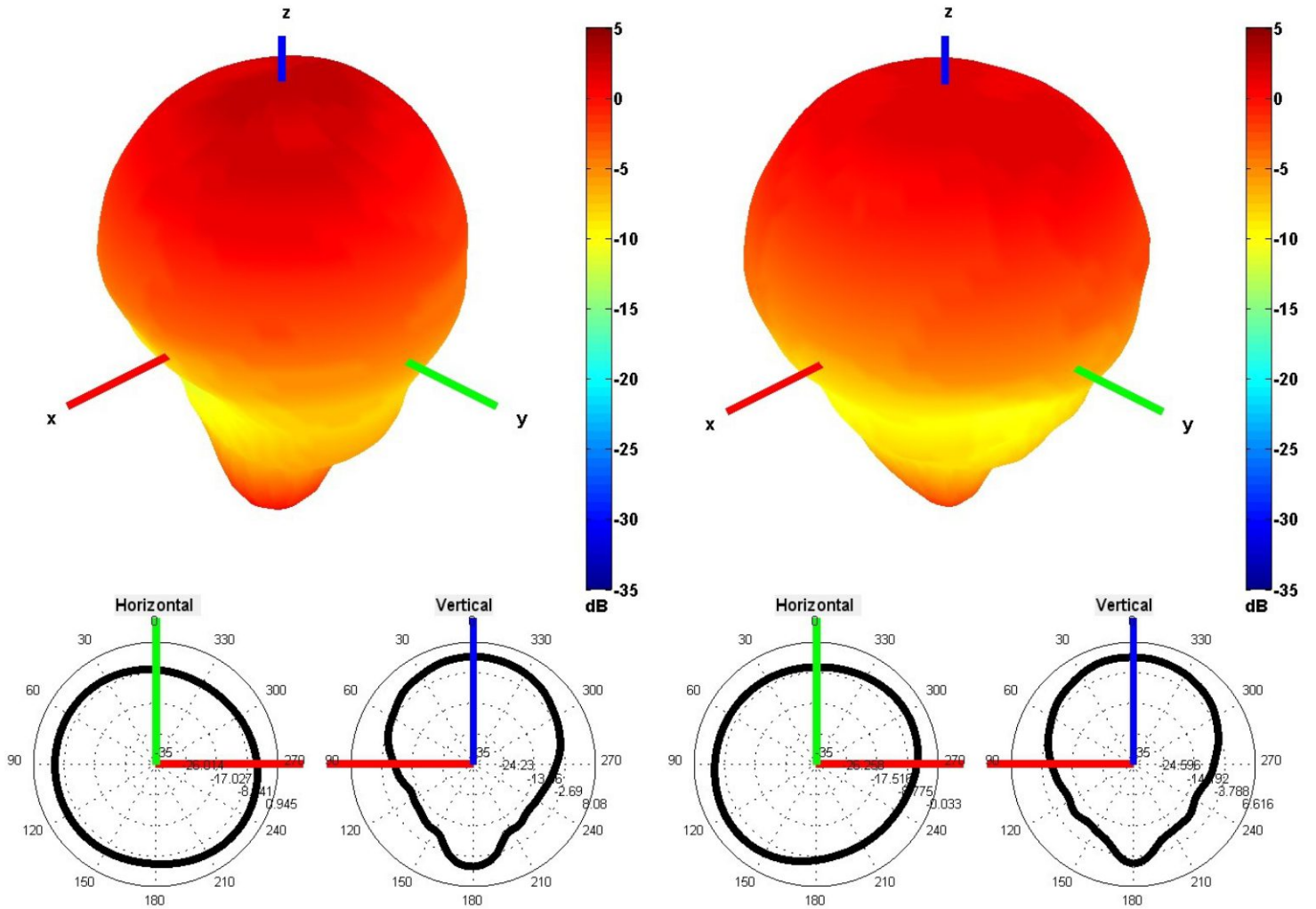
3. Antenna parameters







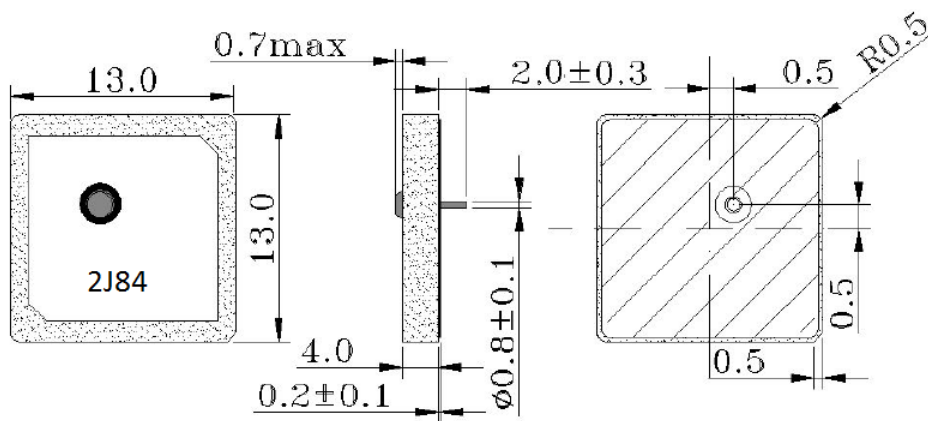
Radiation pattern reference



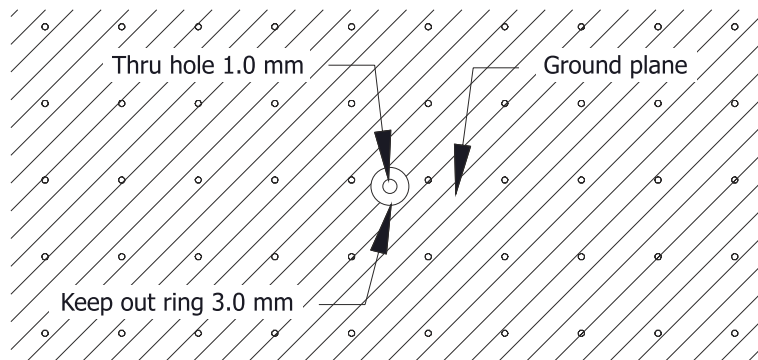
1575 AND 1602 MHz RADIATION PATTERN

4. Antenna drawings

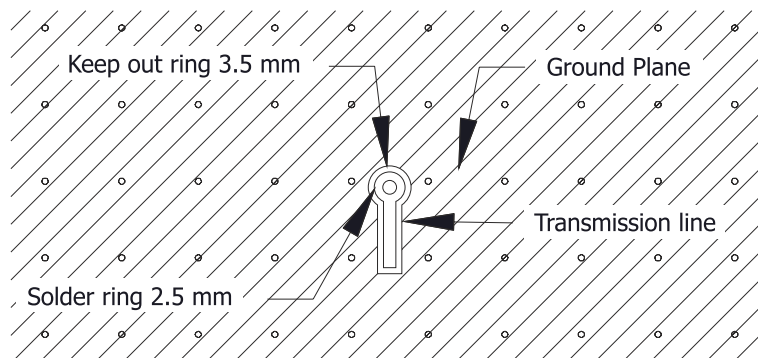
Patch Dimensions



Layout for top layer



Layout for bottom layer



5. Antenna Images

