

High Power LED lamp

BL-HP20ExxxL


Features:

- Ø 1W and 3W, 5W LEDs suitable for illumination lamps and decorative lighting
- Ø Longer service and less luminosity loss, 50,000hours
- Ø Different emitting colors are available
- Ø Working current: 200-350mA, 700mA, 1050mA
- Ø With or without heat sink are both available
- Ø Lambertian, batwing and side emitting are all available
- Ø Light output from 20 to 170 lumens

Applications :

- Commercial lighting
- Residential lighting
- Decorative lighting



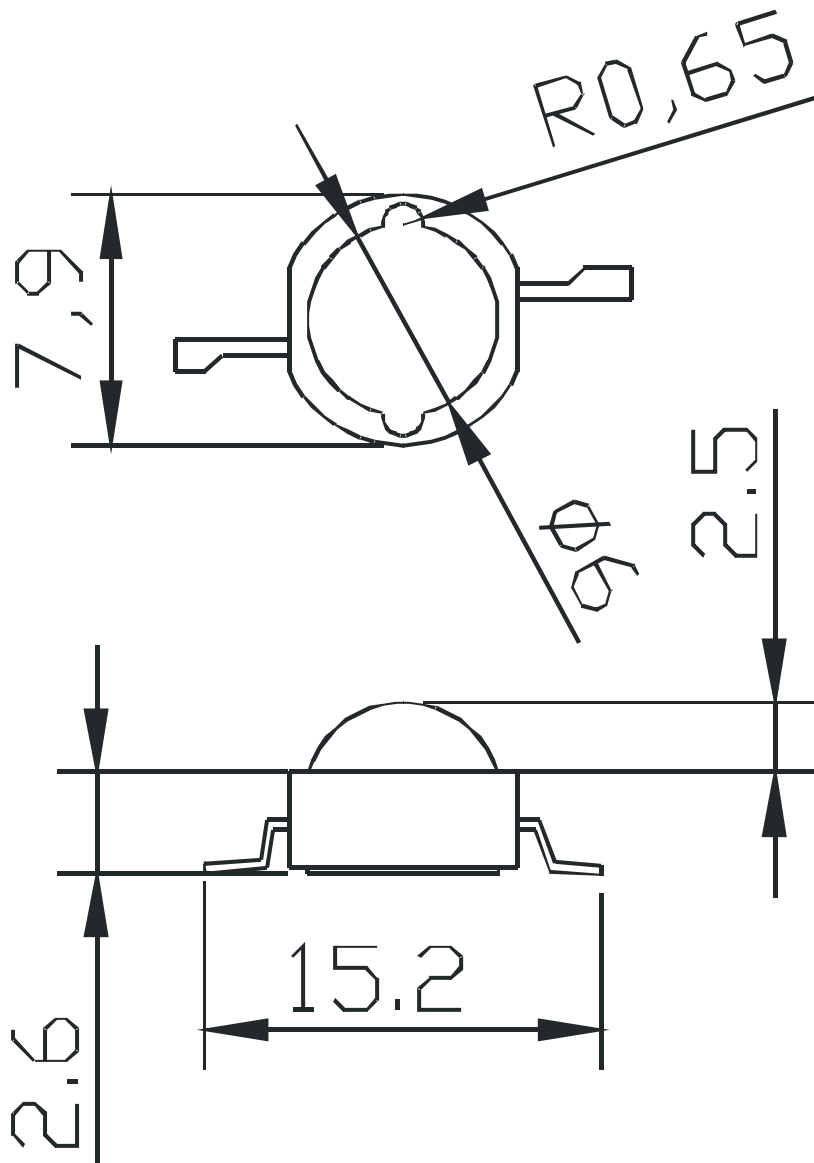
1W Lambertian Emitter  Part Number	Chip		Lens Type	Forward Voltage(VF) Unit:V		Flux Unit:lm @350mA		Viewing Angle 2θ/2 (deg)
	Emitted Color	λ _p (nm) or CTT		Typ	Max	Min.	Typ.	
BL-HP20EUECL	Ultra Orange	630	Water Clear	2.2	2.75	35	45	140
BL-HP20EUYCL	Ultra Yellow	590		2.2	2.75	35	45	
BL-HP20EPGCL	Ultra Pure Green	525		3.2	3.8	50	60	
BL-HP20EUBCL	Ultra Blue	470		3.5	3.8	10	15	
BL-HP20EUWCL	Ultra White	6000k		3.5	3.8	70	90	
BL-HP20EUW2CL	Ultra Warm White	3200k		3.5	3.8	50	70	

High Power LED lamp

BL-HP20ExxxL

Package configuration & Internal circuit diagram

BL-HP20E Series



Notes:

1. All dimensions are in millimeters (inches)
2. Tolerance is 0.25(0.01") unless otherwise noted.
3. Specifications are subject to change without notice.

High Power LED lamp

BL-HP20ExxxL

Typical electrical-optical characteristics curves:



- (1) - GaAsP/GaAs 655nm/Red
- (2) - GaP 570nm/Yellow Green
- (3) - GaAsP/GaP 585nm/Yellow
- (4) - GaAsP/GaP 635nm/Orange & Hi-Eff Red
- (5) - GaP 700nm/Bright Red
- (6) - GaAlAs/GaAs 660nm/Super Red
- (8) - GaAsP/GaP 610nm/Super Red
- (9) - GaAlAs 880nm
- (10) - GaAs/GaAs & GaAlAs/GaAs 940nm
- (A) - GaN/SiC 430nm/Blue
- (B) - InGaN/SiC 470nm/Blue
- (C) - InGaN/SiC 505nm/Ultra Green
- (D) - InGaN/SiC 525nm/Ultra Green



FORWARD VOLTAGE (Vf)
FORWARD CURRENT VS.
FORWARD VOLTAGE



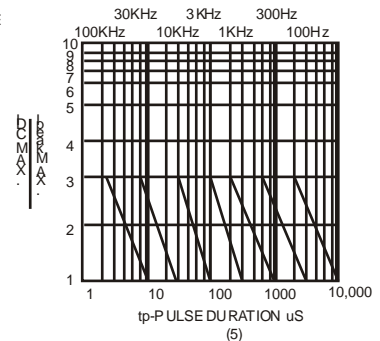
FORWARD CURRENT (mA)
RELATIVE LUMINOUS
INTENSITY VS. FORWARD
CURRENT



AMBIENT TEMPERATURE Ta (°C)
FORWARD CURRENT VS. AMBIENT
TEMPERATURE



AMBIENT TEMPERATURE Ta (°C)



NOTE: 25 free air temperature unless otherwise specified

High Power LED lamp

BL-HP20ExxxL

Packing and weighting

