

Article datasheet

Standoff Nickel Plated Brass M/F AF4x8 F=M2x6 M=M2x6 w/o Undercut

Article-No.: 005.12.0803

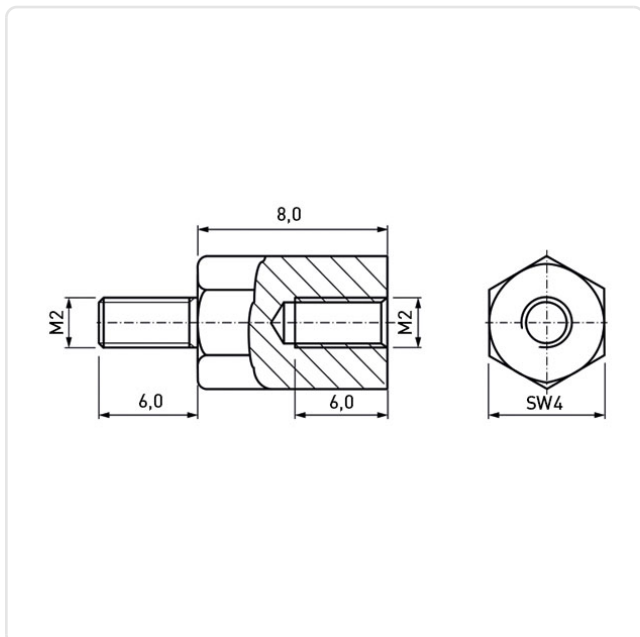


Image may be similar

AF / OD [mm]:	4
Female Thread Length [mm]:	6
Female Thread Size:	M2
Finish:	Nickel-Plated, 3 µm, E1E
Length [mm]:	8
Male Thread Length [mm]:	6
Male Thread Size:	M2
Material:	Brass CuZn39Pb3
Material Group:	Messing
Profile:	Hexagonal
Undercut:	No
Conformities:	



You can find all information on the web on our article detail page



Would you like individual advice?

We look forward to your email to products@ettinger.de.

Subject to change and errors.