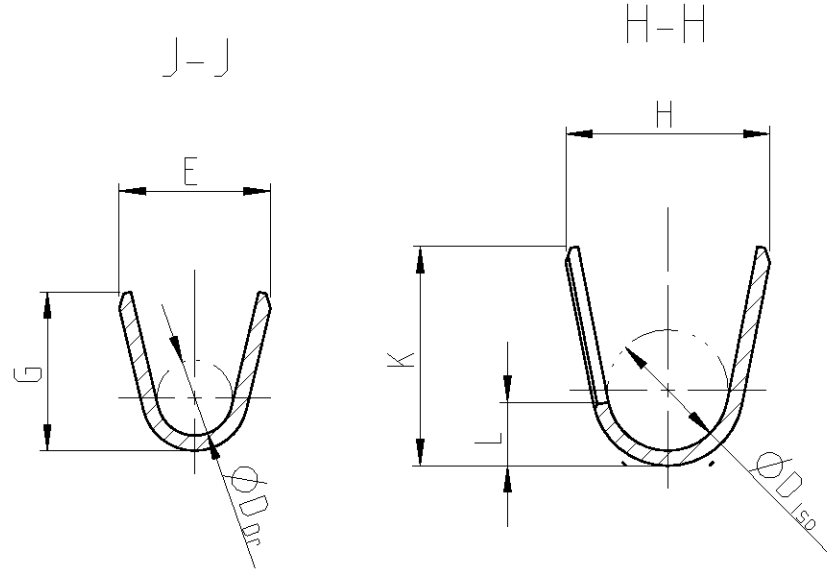
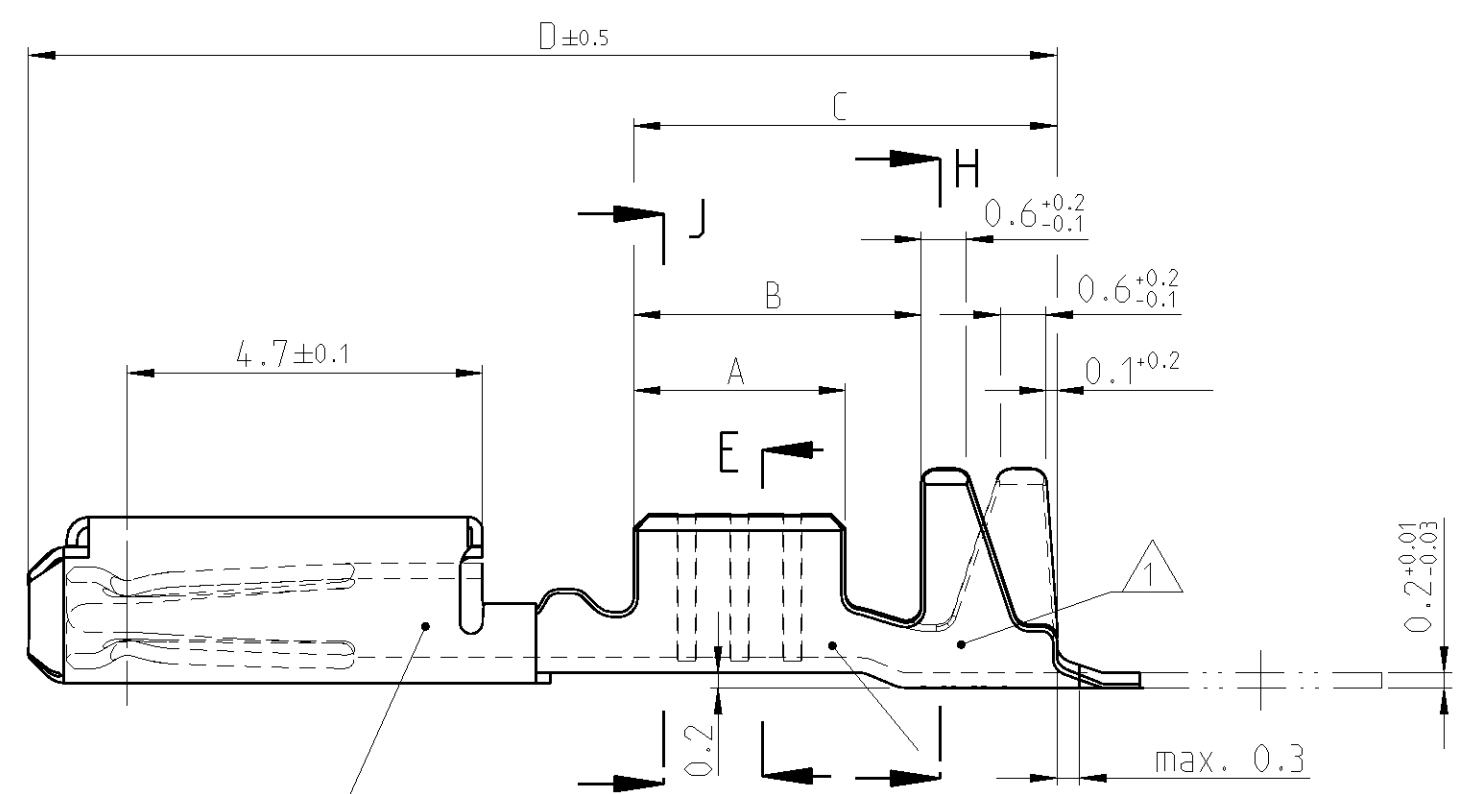
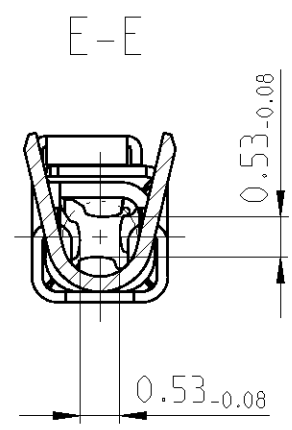


THIS DRAWING IS UNPUBLISHED. RELEASED FOR PUBLICATION 2009  
 © COPYRIGHT 2009 - ALL RIGHTS RESERVED.

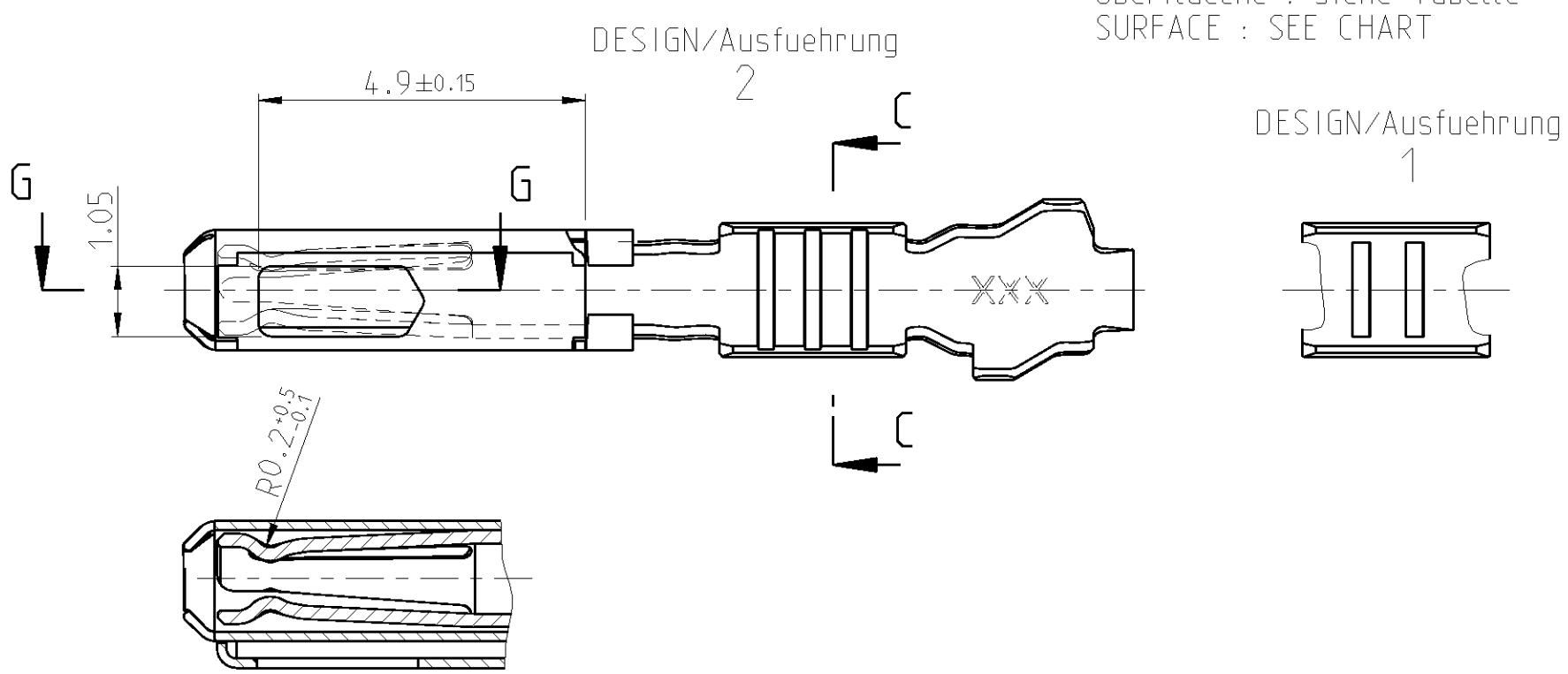
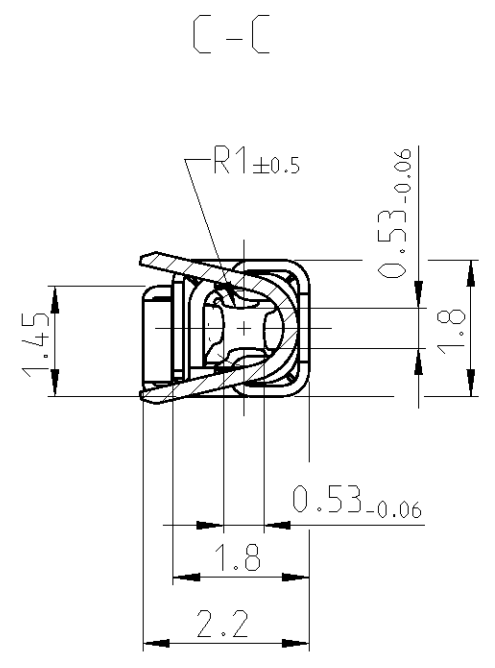
REVISIONS					
P	LTR	DESCRIPTION	DATE	DWN	APVD
C6		ECR-11-009387	08NOV2011	Abr	Brun
C7		ECR-12-016335	17SEP2012	Abr	Brun
C8		ECR-12-017726	11OCT2012	Abr	Brun
C9		ECR-13-015135	26SEP2013	Abr	Brun

GOLD VERSION  
Vergoldete Ausfuehrung

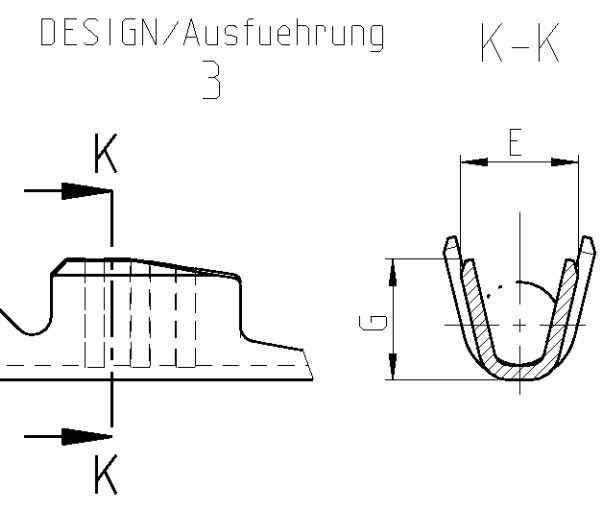


SPRING / Ueberfeder  
MATERIAL : X10CrNi 188  
SURFACE / Oberflaeche : blank

BODY / Kontaktkoerper  
MATERIAL : CuNiSi F57  
Oberflaeche : siehe Tabelle  
SURFACE : SEE CHART

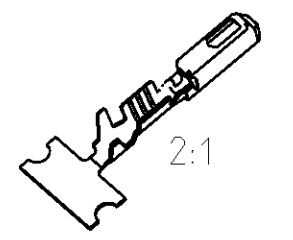
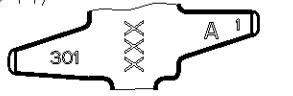


G-G  
WITHOUT SPRING  
ohne Ueberfeder



NOTES  
Bemerkungen

- 1 DATE-CODE (WEK/YEAR (E.G. WEEK NUMBER 30/ YEAR 2011) AND TE REVISION (E.G. REV. A)  
Datumscode (Woche / Jahr, z.B. KW30/ Jahr 2011) und TE-Revision (z.B.Rev.A)
- 2 SUITABLE FOR PIN CONTACT SEE DRAWING: TE: 929453  
Passend zu Stiftkontakt siehe Zeichnung: TE: 929453
- 3 DETAILS OF DESIGN ARE LEFT TO MANUFACTURER  
Einzelheiten der Ausfuehrung bleiben dem Hersteller ueberlassen
- 4 FOR FLR-CONDUCTOR ACCORDING TO DIN 72551-6 ONLY  
Nur fuer FLR-Leitung nach DIN 72551, Teil 6
- 5 NOT FOR NEW APPLICATION  
nicht fuer Neuanwendung



ODER NO. DESIGN	ODER NO. DESIGN	REV.	ODER NO. DESIGN	REV.	WIRE SIZE RANGE	SURFACE	LENGTH	WIRE CRIMP	INSU. CRIMP
Bestell-Nr. Ausfuehrung	Bestell-Nr. Ausfuehrung		Bestell-Nr. Ausfuehrung		DGB	Oberflaeche	Laenge	Drahtcrimp	Iso' crimp
2	3		1	5	mm <sup>2</sup>		DIMENSIONS/ Abmessungen mm		
5-968221-6		A	968221-6	A	0.5-0.75	Ag	A = 2.8 B = 3.8 C = 5.6 D = 13.7	E = 2 G = 2 D <sub>Dr</sub> = 1	H = 2.7 K = 2.9 L = 0.7 D <sub>Iso</sub> = 1.6
5-968221-5		A	968221-5	C		Au			
5-968221-1		A	968221-1	C		Sn			
5-968220-6		A	968220-6	C	0.2-0.35	Ag	A = 2.5 B = 3.6 C = 5.6 D = 13.7	E = 1.8 G = 1.8 D <sub>Dr</sub> = 0.8	H = 2.3 K = 2.3 L = 0.6 D <sub>Iso</sub> = 1.4
5-968220-5		A	968220-5	C		Au			
5-968220-1		A	968220-1	C		Sn			
<del>2208453-6</del>		A	<del></del>		0.08-0.22	Ag	A = 2.5 B = 3.7 C = 5.4 D = 13.7	E = 1.6 G = 1.6	H = 2 K = 1.9 D <sub>Iso</sub> = 1.1
<del>2208453-5</del>		A	<del></del>			Au			
<del>2208453-1</del>		A	<del></del>			Sn			

THIS DRAWING IS A CONTROLLED DOCUMENT.

DWN: Abraham.G. 06AUG2003  
CHK: Kampmann.H. 07AUG2003  
APVD: -

**STE** TE Connectivity

NAME: MQS CLEAN BODY  
Productgroup Drawing Socket Contact  
Produktgruppenzeichnung, Buchsenkontakt

PRODUCT SPEC: 108-18030  
APPLICATION SPEC: 114-18021

SIZE: A2 CAGE CODE: 00779 DRAWING NO: C-1355900 RESTRICTED TO: -

WEIGHT: -  
Customer Drawing SCALE: 10:1 SHEET: 1 OF 1 REV: C9