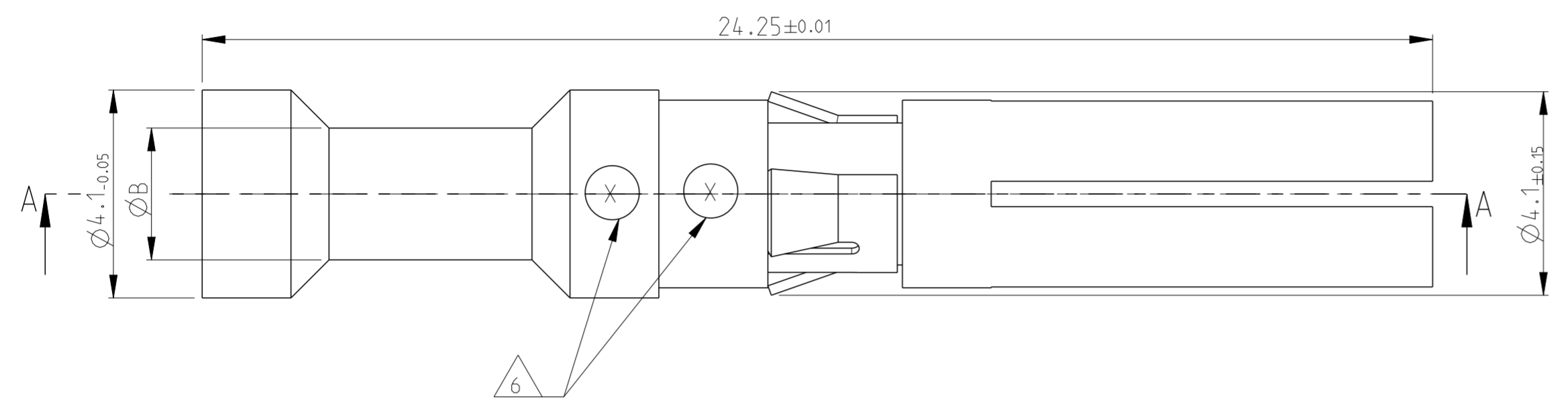


THIS DRAWING IS UNPUBLISHED. RELEASED FOR PUBLICATION  
 © COPYRIGHT - ALL RIGHTS RESERVED.

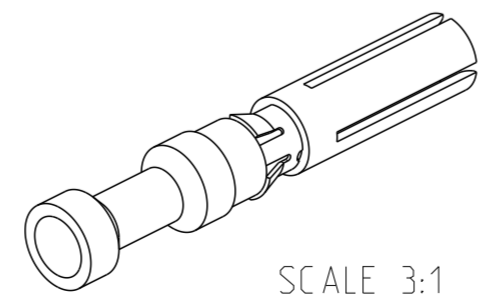
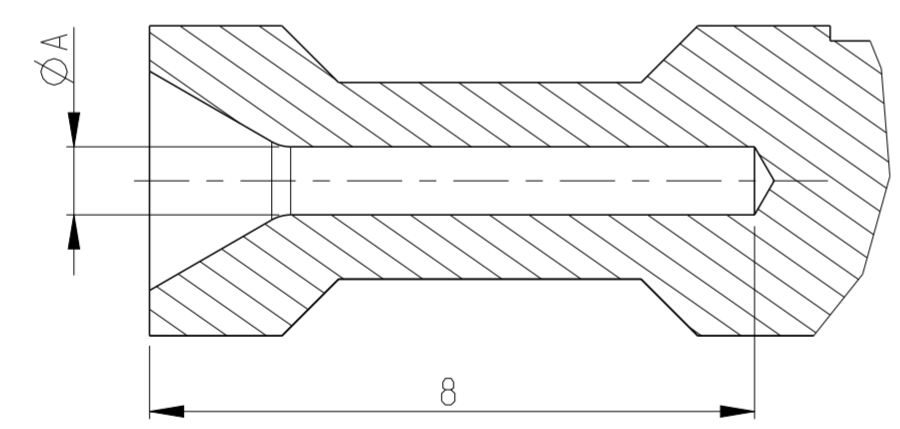
LOC	DIST	REVISIONS					
		P	LTR	DESCRIPTION	DATE	DWN	APVD
A1	-	G2		REVISED PER ECO-11-005150	31MAR2011	RK	HMR
		G3		ECR-16-016696	31AUG2017	GR	MKO



NOTES

- 1 MATERIAL SEE TABLE
- 2 SURFACE SEE TABLE
- 3 ASSEMBLY WEIGHT SEE TABLE
- 4 PACKAGING: 50 PIECES IN POLYBAG
- 5 PACKAGING: 500 PIECES IN POLYBAG & CARTON
- 6 CROSS-SECTION MARKING
- 7 NO VENTILATION HOLE REQUIRED AT CROSS SECTION >4.0mm<sup>2</sup>
- 8 SUITABLE PIN CONTACT: PN 1105300
- 9 SUITABLE INSERTS: SERIES HVT
- 10 SUITABLE CRIMP TOOL: PN 1-1105851-8
- 11 SUITABLE INSERTION TOOL: PN 0-1102855-6
- 12 SUITABLE EXTRACTION TOOL: PN 0-1102855-3
- 13 STANDARDS: DIN EN 61984, DIN EN 60664-1

SECTION A-A



SCALE 3:1

OBSOLETE											ASSEMBLY WEIGHT IN (Kg) 3			ITEM NO			
1	1	1	1	1	1	1	1	1	1	1	CuZn39Pb3 F50				GOLD PLATING		
0.00142	0.00144	0.00148	0.00145	0.00149	0.00150	0.00144	0.00148	0.00145	0.00149	0.00150	Socket Contact 4.0 mm <sup>2</sup>	2.85	3.9	6	2.2	3.2	5
1	1										Socket Contact 2.5 mm <sup>2</sup>	1.8	3.0	4			
											Socket Contact 1.5 mm <sup>2</sup>	1.45	2.6	3	1.1	2.6	2
											Socket Contact 0.75-1.0 mm <sup>2</sup>	0.9	2.6	1			
											Socket Contact 0.13-0.4 mm <sup>2</sup>	2.0	3.2	8	2.55	3.6	9
											Socket Contact 14 AWG	3.2	4.1	7			
											Socket Contact 12 AWG	2.85	3.9	6	2.2	3.2	5
											Socket Contact 10 AWG	1.8	3.0	4			
											Socket Contact 4.0 mm <sup>2</sup>	1.45	2.6	3	0.9	2.6	1
											Socket Contact 2.5 mm <sup>2</sup>	1.1	2.6	2			
											Socket Contact 1.5 mm <sup>2</sup>	0.9	2.6	1			
											Socket Contact 0.75-1.0 mm <sup>2</sup>						
											Socket Contact 0.5 mm <sup>2</sup>						
											Socket Contact 0.13-0.4 mm <sup>2</sup>						

5-2	4-2	3-2	2-2	1-2	6-2	8-2	9-1	7-2	5-1	4-1	3-1	2-1	1-1	6-1	DESCRIPTION	MATERIAL 1	SURFACE 2	ØA	ØB	CROSS SECTION MARKING 6	ITEM NO
5-2	4-2	3-2	2-2	1-2	6-2	8-2	9-8	7-8	5-8	4-8	3-8	2-8	1-8	6-8							
HVT-C-Bu-Au-4.0 mm <sup>2</sup>	HVT-C-Bu-Au-2.5 mm <sup>2</sup>	HVT-C-Bu-Au-1.5 mm <sup>2</sup>	HVT-C-Bu-Au-0.75-1.0 mm <sup>2</sup>	HVT-C-Bu-Au-0.5 mm <sup>2</sup>	HVT-C-Bu-Au-0.13-0.4 mm <sup>2</sup>	HVT-C-Bu-Ag-AWG-14	HVT-C-Bu-Ag-AWG-12	HVT-C-Bu-Ag-AWG-10	HVT-C-Bu-Ag-4.0 mm <sup>2</sup>	HVT-C-Bu-Ag-2.5 mm <sup>2</sup>	HVT-C-Bu-Ag-1.5 mm <sup>2</sup>	HVT-C-Bu-Ag-0.75-1.0 mm <sup>2</sup>	HVT-C-Bu-Ag-0.5 mm <sup>2</sup>	HVT-C-Bu-Ag-0.13-0.4 mm <sup>2</sup>	ORDERING TEXT						

THIS DRAWING IS A CONTROLLED DOCUMENT.

DIMENSIONS: mm	TOLERANCES UNLESS OTHERWISE SPECIFIED:
0 PLC	0 ±0.15
1 PLC	0 ±0.20
2 PLC	0 ±0.25
3 PLC	0 ±0.30
4 PLC	0 ±0.35
ANGLES	±0.5
FINISH	±0.1

DWN	G. WROBLEW-SKI	04 SEP. 2007	 TE Connectivity SOCKET CONTACT SERIES HVT
CHK	I. SCHNURPFELT	04 SEP. 2007	
APVD	I. SCHNURPFELT	04 SEP. 2007	
PRODUCT SPEC			
APPLICATION SPEC			
WEIGHT			
CUSTOMER DRAWING	SCALE 10:1	SHEET 1 OF 1	REV G3