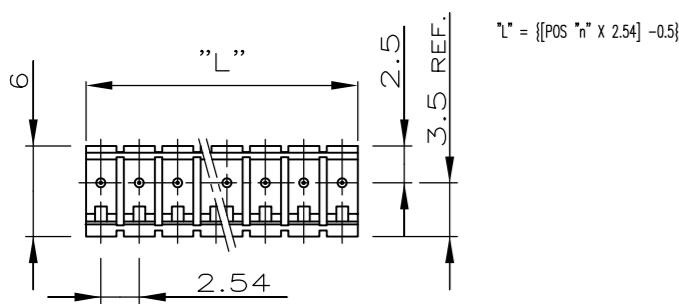


THIS DRAWING IS UNPUBLISHED. RELEASED FOR PUBLICATION
 © COPYRIGHT - By - ALL RIGHTS RESERVED.

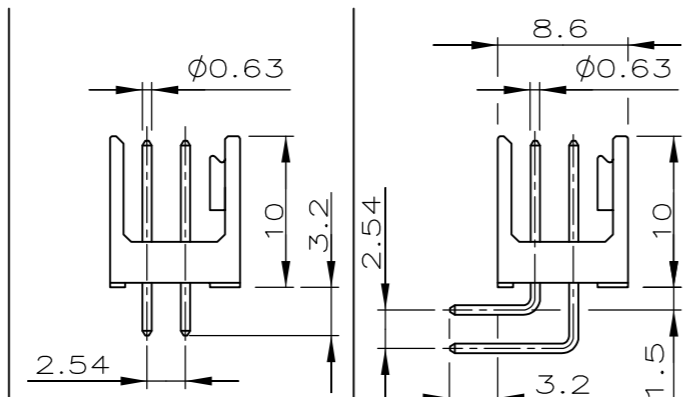
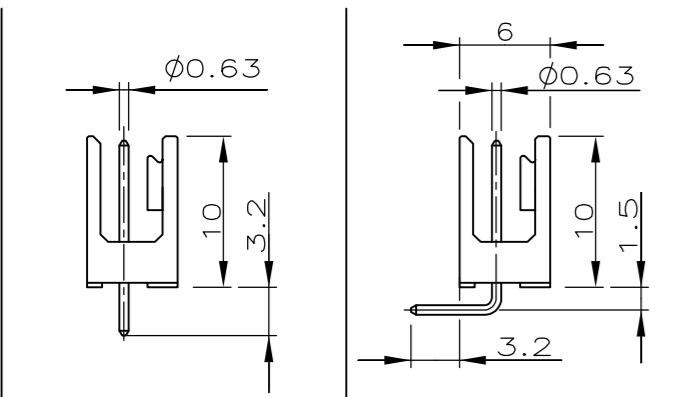
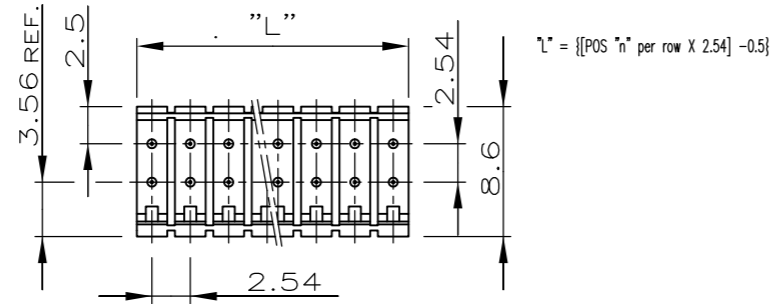
MODU II SHROUDED POSTS

MODU II Stiftleiste

SINGLE ROW 3 TO 50 POS.
Einreihig 3 bis 50 pol.



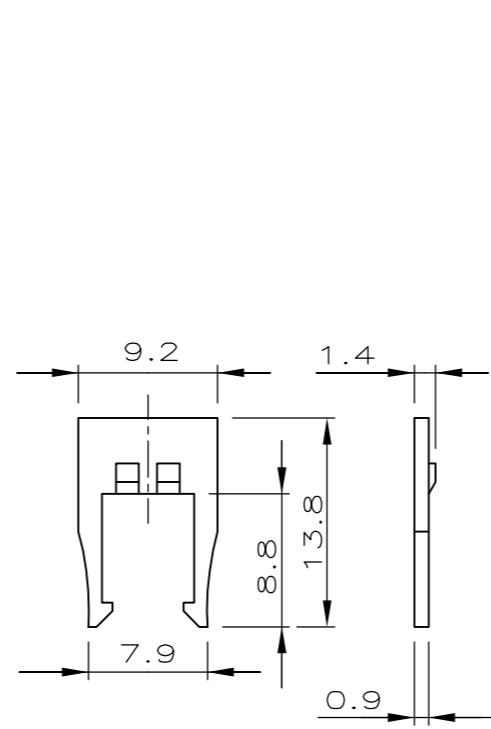
DOUBLE ROW 2x3 TO 2x50 POS.
Zweireihig 2x3 bis 2x50 pol.



| POS. | PART NUMBERS | PART NUMBERS | POS. | PART NUMBERS | PART NUMBERS |
|-------------------|-----------------|-----------------|-------------------|-----------------|-----------------|
| 3 (2) TO 50 | △ 826 467-3 BIS | △ 826 468-3 BIS | 2x3 TO 2x50 | △ 826 469-3 BIS | △ 826 470-2 BIS |
| | 5-826 467-0 △ | 5-826 468-0 | | 5-826 469-0 | 5-826 470-0 |
| | △ 827 295-2 BIS | △ 827 296-3 BIS | | △ 827 297-3 BIS | △ 827 298-3 BIS |
| | 5-827 295-0 △ | 5-827 296-0 △ | | 5-827 297-0 △ | 5-827 298-0 △ |

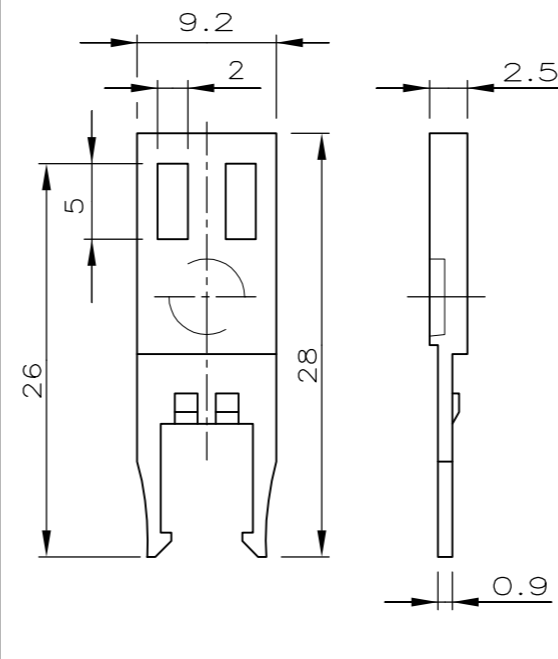
RETENTION PLUG

Rastgabel



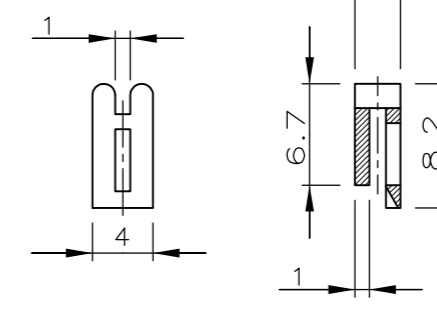
RETENTION PLUG WITH STRAIN RELIEF

Rastgabel mit Zugentlastung



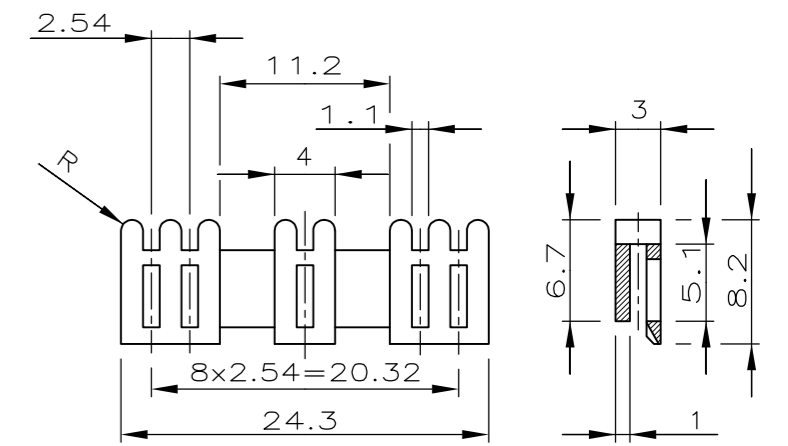
KEYING PLUG

Kodierstift



KEYING BLOCK

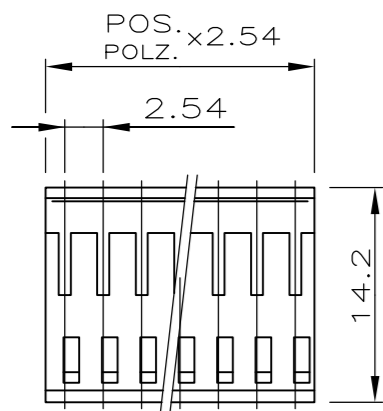
Kodierblock



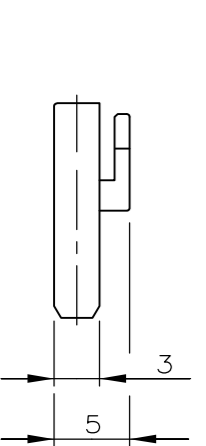
| PART NUMBERS | COLOUR | PART NUMBERS | COLOUR | PART NUMBERS | COLOUR | PART NUMBERS | COLOUR |
|--------------|--------|--------------|--------|--------------|--------|--------------|--------|
| 926 477-1 | BLACK | 926 478-1 | BLACK | 926 498-1 | BLACK | 927 607-1 △ | BLACK |
| 926 477-2 | GREEN | 926 478-2 △ | GREEN | 926 498-2 | GREEN | 927 607-2 △ | GREEN |
| 926 477-3 | RED | 926 478-3 | RED | 926 498-3 | RED | 927 607-3 △ | RED |

MODU IV RECEPTACLE HOUSING

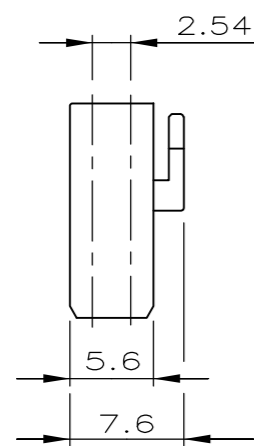
MODU IV Buchsengehäuse



SINGLE ROW 2 TO 36 POS.
Einreihig 2 bis 36 polig.



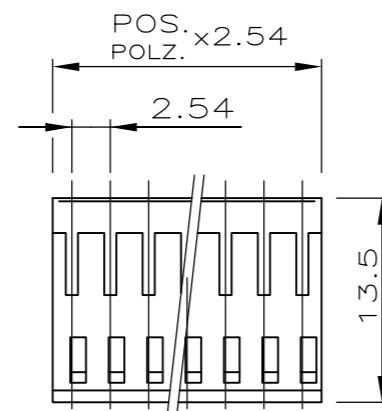
DOUBLE ROW 2x2 TO 2x36 POS.
Zweireihig 2x2 bis 2x36 polig



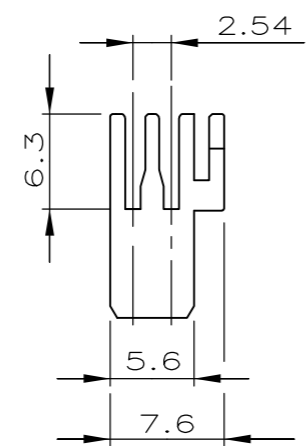
| POS. | PART NUMBERS | POS. | PART NUMBERS |
|---------|--------------|-------------|--------------|
| 2 TO 36 | 926 475-2 | 2x2 TO 2x36 | 926 476-2 |
| | 3-926 475-6 | | 3-926 476-6 |

FFC HOUSING

FFC Gehäuse



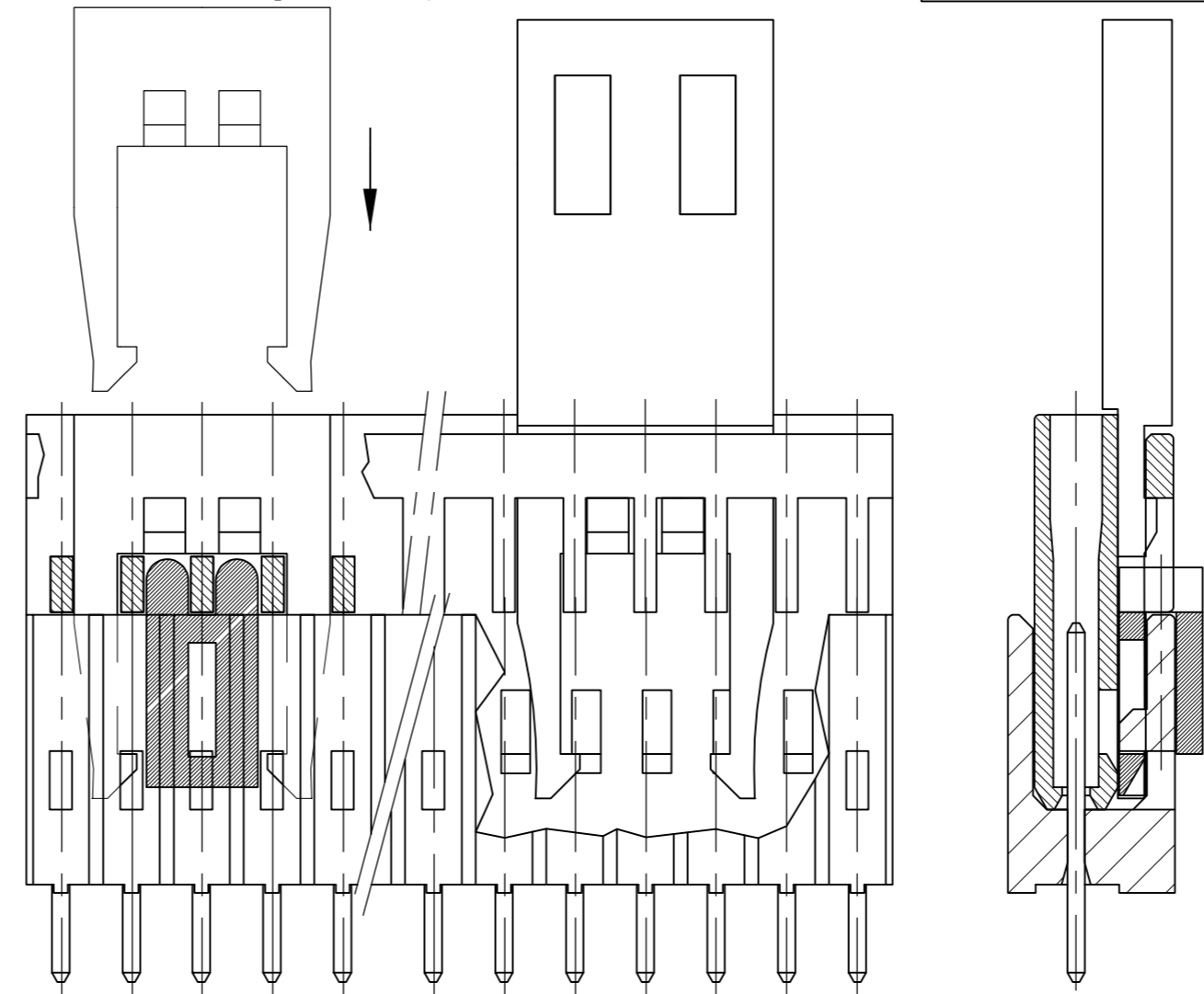
DOUBLE ROW 2x3 TO 2x13 POS.
Zweireihig 2x3 bis 2x13 polig



| POS. | PART NUMBERS |
|-------------|---------------|
| 2x3 TO 2x13 | 927 009-3 △ |
| | 1-927 009-3 △ |

ASSEMBLED COMPONENTS (FOR EXAMPLE)

Anwendungsbeispiel



△ CONTACT PIN/Kontaktstift: CuZn
 PLATING MATING AREA:
 MIN. 0.7µm PdNi + 0.1µm GOLD FLASH OVER
 1.27µm Ni
 SOLDER SIDE: MIN 3.0µm Sn OVER 1.27µm Ni

△ CONTACT PIN/Kontaktstift: CuSn
 PRE TIN PLATED MIN. 2.0µm Sn OVER 1.27µm Ni (PIN TIPS BLANK)
 Vorverzinnt min. 2.0µm Sn über 1.27µm Ni (Stiftspitzen blank)

MATERIAL:
 PIN HEADER
 Stiftgehäuse PCT-GV BLACK/schwarz

RECEPTACLE HOUSING PBT-GV BLACK/schwarz
 Buchsengehäuse

RETENTION PLUGS PC-GV
 Rastgabeln

KEYING PLUG AND BLOCK PA 6.6 GV
 Kodierstift, -block

FFC HOUSING PBT-GV BLACK/schwarz
 FFC Gehäuse

△ OBSOLETE PARTS

△ OBSOLETE PARTS: OBSOLETE CIS STREAMLINING PER D.RENAUD/D.SINISI

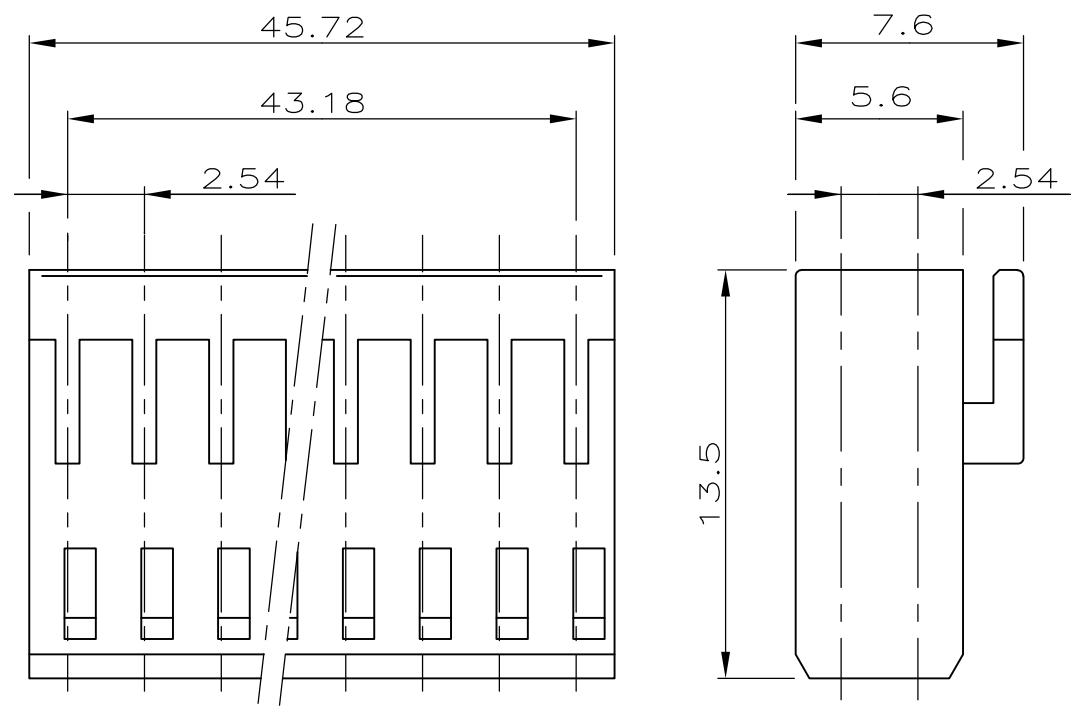
THIS DRAWING IS A CONTROLLED DOCUMENT.

| | | |
|------------------|-----------|-----------------|
| DWN | 08.03.85 | A.HO |
| CHK | 02.05.85 | M.SCHAARSCHMIDT |
| APVD | - | - |
| PRODUCT SPEC | - | - |
| APPLICATION SPEC | - | - |
| WEIGHT | - | - |
| CUSTOMER DRAWING | SCALE 2:1 | SHEET 1 of 2 |

TE Connectivity
 AMPMODU II / AMPMODU IV
 SIZE A2 CAGE CODE 00779 DRAWING NO. 826467 RESTRICTED TO Y

THIS DRAWING IS UNPUBLISHED. RELEASED FOR PUBLICATION
 © COPYRIGHT - By - ALL RIGHTS RESERVED.

| LOC | DIST | REVISIONS | | | |
|-----|------|-------------|------|-----|------|
| P | LTR | DESCRIPTION | DATE | DWN | APVD |
| | | SEE SHEET 1 | - | - | - |



PN 6-926476-8
 2x18 POS. AMPMODU IV RECEPTACLE HOUSING
 2x18 POL. AMPMODU IV BUCHSENGEHÄUSE

PACKAGING
 Verpackung

PART NUMBER 5-826467-3 INCLUDING 75 PCS. OF PN 826467-3
 PACKED IN PLASTIC BOX (78mm x 78mm x 45mm)
 FOR TE-HARRISBURG ONLY

Bestell- Nummer 5-826467-3 enthält 75 Stk. PN 826467-3
 verpackt in Kunststoffschachtel (78mm x 78mm x 45mm)
 nur für TE-Harrisburg

| | | | | | |
|--|--|----------|----------|-----------------------|----------------------------|
| THIS DRAWING IS A CONTROLLED DOCUMENT. | | DWN | 27.09.85 | | STE TE Connectivity |
| | | CHK | 30.09.85 | | |
| | | W.MORITZ | | NAME | |
| | | - | | AMPMODU II/AMPMODU IV | |
| | | - | | PRODUCT SPEC | |
| | | - | | APPLICATION SPEC | |
| | | WEIGHT | - | | RESTRICTED TO |
| | | - | | SIZE | CAGE CODE |
| | | - | | A3 | 00779 |
| | | - | | DRAWING NO | C-826467 |
| | | - | | SCALE | 4:1 |
| | | - | | SHEET | 2 OF 2 |
| | | - | | REV | Y |
| | | - | | CUSTOMER DRAWING | |