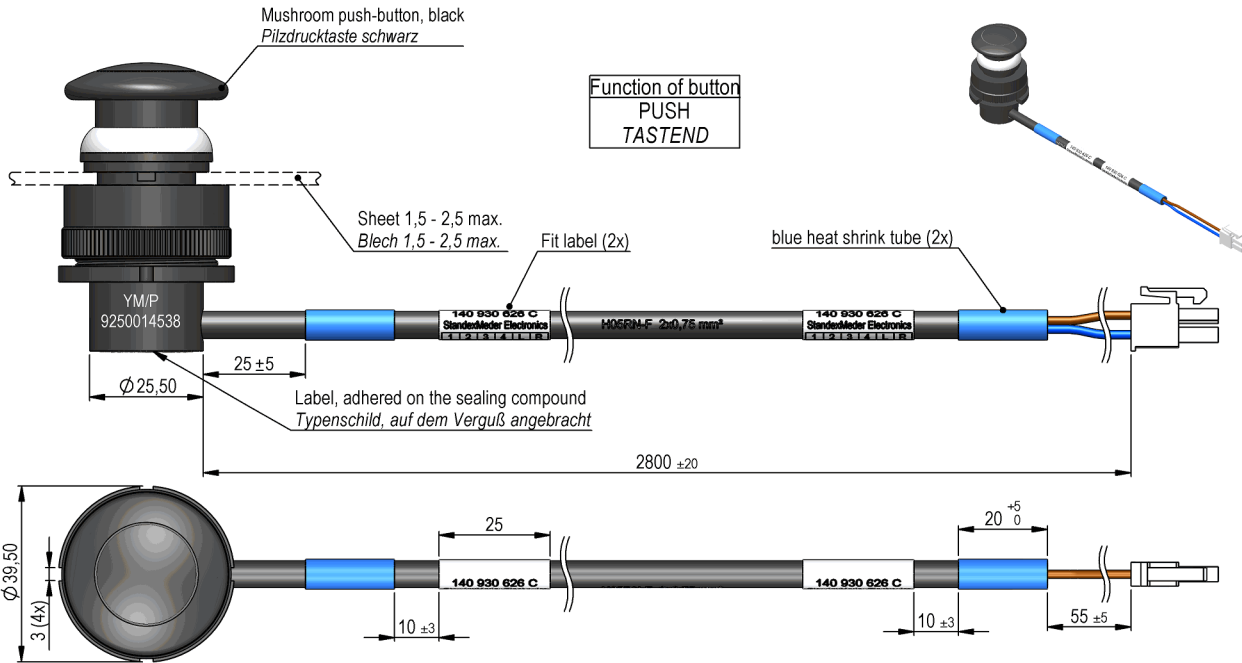


Dimensions mm[inch]

tolerances acc. to DIN ISO 2768-m
 Toleranzen gem. DIN ISO 2768-m

Isometric

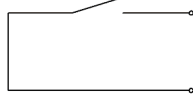
Scale 1:5
 Maßstab 1:5



Cable

round cable H05RN-F 2x0,75 mm², black
 Uo/U: 300/500, Ø 5,5 - 7,4 mm
 colour of wires: brown and blue
 Rundkabel H05RN-F 2x0,75 mm², schwarz
 Uo/U: 300/500, Ø 5,5 - 7,4 mm
 Aderfarben: braun und blau

Schematic



Marking

according to EN60062/factory code,
 gem. EN60062/Fertigungsstätte,
 (abrasion-protected) (Abriebefest)

Terminals/Connector

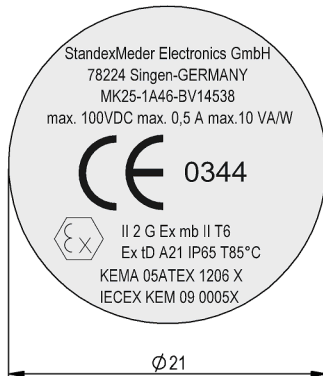
MOLEX Mini-fit jr-housing 39-01-2020
 MOLEX contacts 39-00-0038

Year	Month
2012 = C	Jan = 1 Jul = 7
2013 = D	Feb = 2 Aug = 8
2014 = E	Mar = 3 Sep = 9
2015 = F	Apr = 4 Okt = 0
2016 = G	Mai = 5 Nov = N
2017 = H	Jun = 6 Dec = D
2018 = K	
2019 = L	

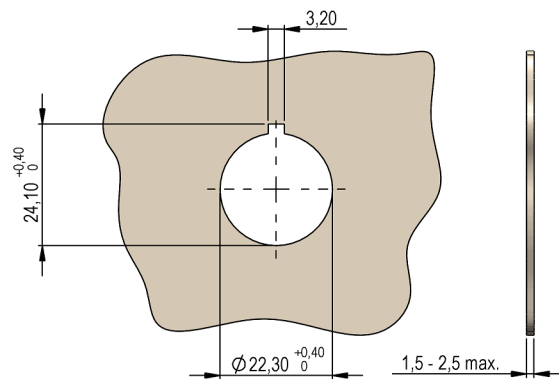


Label

2:1



Drilling template





Europe: +49 / 7731 8399 0

| Email: info@standexmeder.com

Item No.:

USA: +1 / 508 295 0771

| Email: salesusa@standexmeder.com

9250014538

Asia: +852 / 2955 1682

| Email: salesasia@standexmeder.com

Item:

MK25-1A46-BV14538

mit schwarzem Knopf

Magnetic properties	Conditions	Min	Typ	Max	Unit
Test equipment					PV 162

Contact data 46	Conditions	Min	Typ	Max	Unit
Contact-form					A
Contact rating	combination of switching voltage and current not to exceed their individual max.'s			10	W
Switching voltage	DC or Peak AC			100	V
Switching current	DC or Peak AC			0,5	A
Carry current	DC or Peak AC			1	A
Contact resistance static	Measured with 40% overdrive Start Value			150	mOhm
Insulation resistance	RH <45 %, 100 V test voltage	1.000			GOhm
Breakdown voltage	according to EN 60255-5	225			VDC
Operate time incl. bounce	measured with 40% overdrive			0,7	ms
Release time	measured with no coil excitation			0,1	ms
Capacity	@ 10 kHz across open switch		0,3		pF

Special Product Data	Conditions	Min	Typ	Max	Unit
Sensor-resistance	measured with 40% overdrive			350	mOhm
Housing material				PA 6, Typ MIRAMID VE, black 811,	
Housing material				Producer: Leuna	
Sealing compound				1. Elastosil RT K, Wacker-Chemie GmbH,Wacker-Silicon	
Sealing compound				Hans Seidel Platz 4, D-81737 München,	
Sealing compound				Vulcanising of two components silicon-cautchucs,	
Sealing compound				colour lightgrey,vulcanisation adding of cross linking Hard	
Sealing compound				Mixing: Elastosil/Hardener T 50:1, handling time 90 min.,	
Sealing compound				vulcanisation time: 7-8 h (non-adhesive) or	
Sealing compound				Elastosil/Harder T 25:1, handling time 30 min.,	
Sealing compound				vulcanisation time 3-4 h (non-adhesive)	
Sealing compound				2. Polyurethan PU 570, Wevo-Chemie GmbH,	
Sealing compound				Mergenthalerstr.13, D-73760 Ostfildern-Kemnat	
Sealing compound				colour dark grey, useful temperature range: -40 to 130°C	
Sealing compound				Mixing: PU 570/Harder 300 in 5:1 ratio by weght.	

Environmental data	Conditions	Min	Typ	Max	Unit
Shock	1/2 sine, duration 11ms, in 3 axis			50	g
Vibration	from 10 - 2000 Hz			35	g
Operating temperature		-40		60	°C
Storage temperature		-40		60	°C

Customer side	Conditions	Min	Typ	Max	Unit
Connector					MOLEX 2pol hous39-01-2020 / MOLEX cont. 39-00-0038

Cable specification	Conditions	Min	Typ	Max	Unit
Cable type					oil resistant round cable H05RN-F, black,
Cable type					2x0,75 mm², Uo / U : 300/500
Cable type					colour of wires: brown and blue

Modifications in the sense of technical progress are reserved

Designed at: 23.01.14 Designed by: WKOVACS

Approval at: 24.01.14 Approval by: KOLBRICH

Last Change at: 24.08.17 Last Change by: WKOVACS

Approval at: 24.08.17 Approval by: MREIZNER

Rev. No.: 10