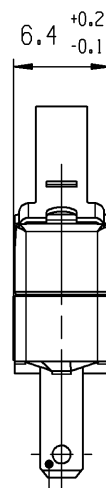
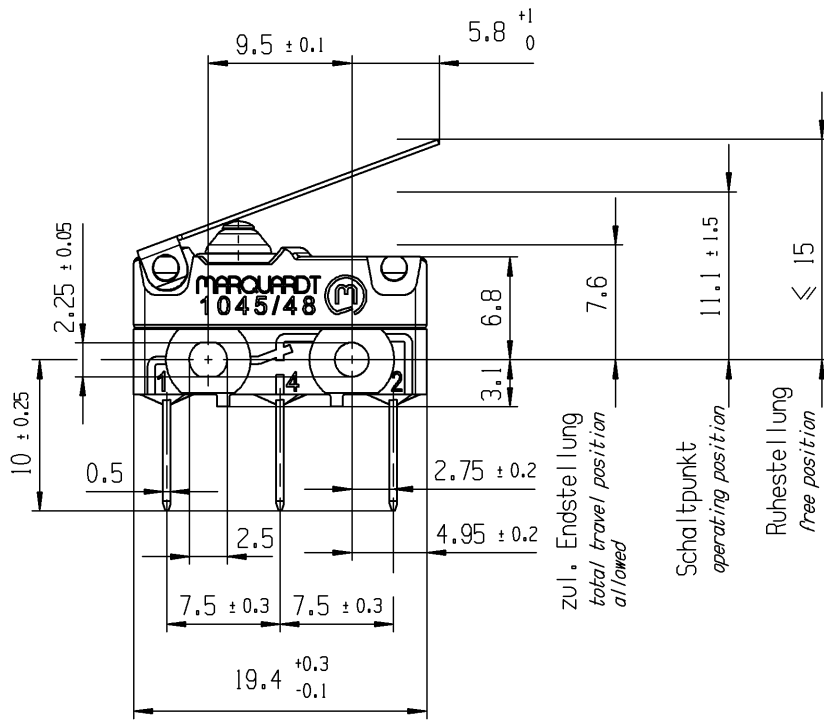


CONFIDENTIAL

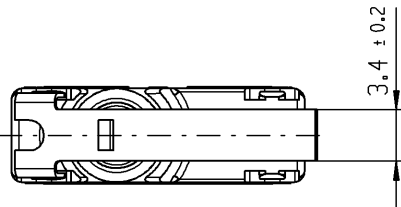
VERTRAULICH

THIS DRAWING IS THE EXCLUSIVE PROPERTY OF MARQUARDT. WITHOUT THEIR CONSENT IT MAY NOT BE REPRODUCED OR GIVEN TO THIRD PARTIES.

Alle Rechte bei Marquardt, auch fuer den Fall von Schutzrechtsanmeldungen. Jede Veruegungsbefugnis, wie Kopier- und Weitergaberecht, bei uns.



Flachstecker aehnlich DIN 46244-A2.8 - 0.5
blade terminal sim. DIN 46244-A2.8 - 0.5



Aufschrift
Marking

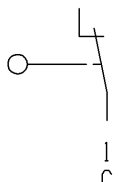
MARQUARDT 1045/48

6(1)A 250V AC
3E4 US LISTED

NC NO
2 4

μ

Herstellungscod:
Ort/Jahr/Monat/Tag
Code of manufacture:
place/year/month/day



Auf Verpackung: On box: G

E41791
 US LISTED

Wechsler 1-polig
single pole changeover

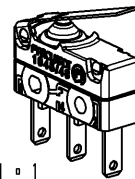
Schaltbetaetigungskraft
actuating force ≤ 0.9 N

Rueckschaltkraft
release force ≥ 0.1 N

Differenzweg
movement differential ≤ 1.3 mm

IP Schutzklasse nach EN 60529 IP 67
protection class acc. to EN 60529

G= Konform nach IEC 60335-1:2001 Kap. 30
G= matching IEC 60335-1:2001 clause 30



1:1

-	---	---	1045.6102-XX													
Figure	Type	Customer No.	Art.No.-PI													
Shape and location	Angle ± 2°	Sheet 01	Ident. K													
	Edge tolerance	Format DIN A4	Document number 10456102													
0.1 0.25 0.1	Length	Projection	Index g													
	<table border="1"> <tr> <th>Length</th> <th>Radial</th> </tr> <tr> <td>0-6 ± 0.1</td> <td>0-6 ± 0.2</td> </tr> <tr> <td>>6-15 ± 0.15</td> <td>>6-15 ± 0.3</td> </tr> <tr> <td>>15-30 ± 0.2</td> <td>>15-30 ± 0.5</td> </tr> <tr> <td>>30-70 ± 0.3</td> <td>>30-200 ± 10%</td> </tr> <tr> <td>>70-120 ± 0.4</td> <td></td> </tr> <tr> <td>>120-200 ± 0.8</td> <td></td> </tr> </table>	Length	Radial	0-6 ± 0.1	0-6 ± 0.2	>6-15 ± 0.15	>6-15 ± 0.3	>15-30 ± 0.2	>15-30 ± 0.5	>30-70 ± 0.3	>30-200 ± 10%	>70-120 ± 0.4		>120-200 ± 0.8		Scale 2:1
Length	Radial															
0-6 ± 0.1	0-6 ± 0.2															
>6-15 ± 0.15	>6-15 ± 0.3															
>15-30 ± 0.2	>15-30 ± 0.5															
>30-70 ± 0.3	>30-200 ± 10%															
>70-120 ± 0.4																
>120-200 ± 0.8																
g	140395	All dimensions are in millimetres														
f	136255	Snap action switch														
e	130794	 MARQUARDT														
d	128229															
Index	MEC-No.	System NX V1872														
	Date (YYYY-MM-DD)	Replacement of														