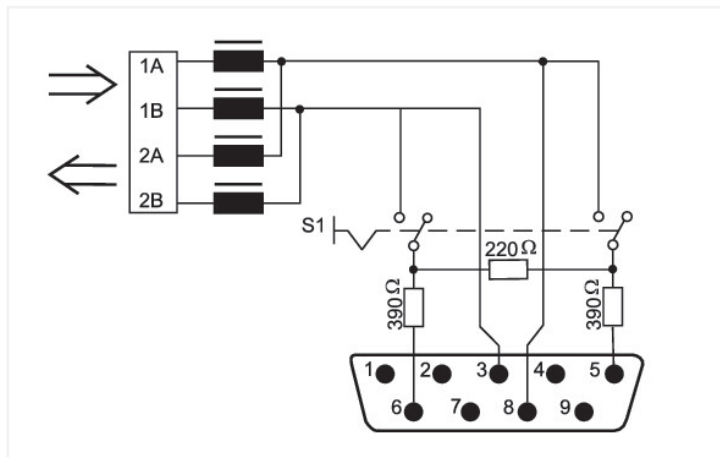
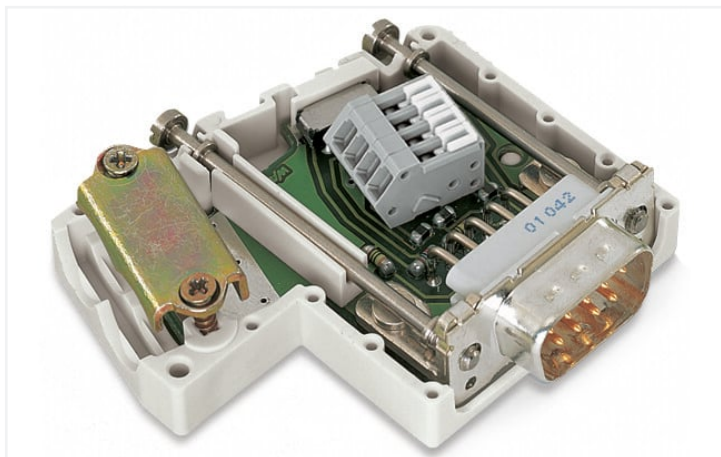


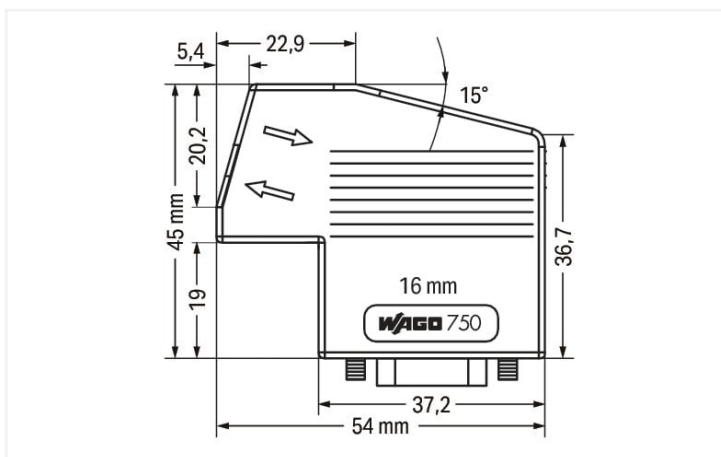
# Data Sheet | Item Number: 750-960

Fieldbus Connector PROFIBUS; with D-sub male connector; 9-pole

<https://www.wago.com/750-960>



Color: ■ light gray



Dimensions in mm

This fieldbus connector links a PROFIBUS device to a PROFIBUS line.

The fieldbus connector has the following features:

- Two horizontal cable entries for both input and output
- Fast and maintenance-free CAGE CLAMP® connection – a locking slide keeps the clamping unit in its open position
- Externally operable switch to activate or deactivate the network terminating resistor

For the first and last station on the bus, the switch must be set

to "ON" (Terminating resistor activated)

Switch setting to "OFF" for downstream bus stations

(Terminating resistor deactivated)

## Technical data

Connection type	D-sub 9 plug
Pole number	9
Communication/fieldbus	PROFIBUS
Transmission rate	12 Mbit/s ( (per PROFIBUS specification))
Supply voltage	4.75 ... 5.25 VDC
Input current	5 mA

### Connection data

Connection type 1	CAGE CLAMP® terminal strip with locking slide (218 Series)
Solid conductor	0.08 ... 0.5 mm <sup>2</sup> / 28 ... 20 AWG
Strip length	5 ... 6 mm / 0.2 ... 0.24 inches

### Physical data

Width	54 mm / 2.126 inches
Height	16 mm / 0.63 inches
Depth	45 mm / 1.772 inches

### Mechanical data

Connectable sheathed cable diameter	4.5 ... 9.5 mm
Cable glands (number)	2
Housing material	PA66-105-V2
Weight	33.4 g
Color	light gray

### Environmental requirements

Ambient temperature (operation)	0 ... +60 °C
Ambient temperature (storage)	-25 ... +85 °C
Protection type	IP20
Relative humidity (without condensation)	95 %
Vibration resistance	4g per IEC 60068-2-6
Fire load	0.623 MJ

### Commercial data

Product Group	15 (I/O System)
eCl@ss 10.0	27-24-26-92
eCl@ss 9.0	27-24-26-92
ETIM 9.0	EC002584
ETIM 8.0	EC002584
PU (SPU)	1 pcs
Packaging type	Bag
Country of origin	DE
GTIN	4045454320157
Customs tariff number	85366990990

### Environmental Product Compliance

RoHS Compliance Status	Compliant, No Exemption
------------------------	-------------------------

Approvals / Certificates

General approvals



Approval	Standard	Certificate Name
UL Underwriters Laboratories Inc. (ORDINARY LOCATIONS)	UL 508	E175199

Declarations of conformity and manufacturer's declarations

Approval	Standard	Certificate Name
EU-Declaration of Conformity WAGO GmbH & Co. KG	-	-
UK-Declaration of Conformity WAGO GmbH & Co. KG	-	-

Approvals for marine applications



Approval	Standard	Certificate Name
ABS American Bureau of Shipping	-	22-2219060
BV Bureau Veritas S.A.	-	13453/E0 BV
DNV DNV GL SE	DNV-CG-0339, Aug. 2021	TAA0000194
KR Korean Register of Shipping	-	KR HMB05880-AC001
LR Lloyds Register EMEA	-	LR22180952TA
PRS Polski Rejestr Statków	-	TE/1101/880590/23
RINA RINA Germany GmbH	-	ELE343521XG001

Approvals for hazardous areas



Approval	Standard	Certificate Name
ATEX TUEV Nord Cert GmbH	EN 60079-0	TUEV14ATEX148929X (II 3 G Ex ec IIC T4 Gc)
CCCEX CQST/CNEx	CNCA-C23-01	2020312310000213 (Ex ec IIC T4 Gc)
IECEX TUEV Nord Cert GmbH	IEC 60079-0	IECEX TUN 14.0035 X (Ex ec IIC T4 Gc)
INMETRO TÜV Rheinland do Brasil Ltda.	IEC 60079-0	TÜV 12.1297 X
UKEx WAGO GmbH & Co. KG	EN 60079-0	UKCA_WA GO22UKEX003X_ec

Downloads

Environmental Product Compliance

Compliance Search
Environmental Product Compliance 750-960 <a href="#">↓</a>

Documentation




System Description		
Overview on WAGO-I/O-SYSTEM 750 approvals	pdf 770.48 KB	<a href="#">↓</a>

Bid Text			
750-960	19.02.2019	xml 4.61 KB	<a href="#">↓</a>
750-960	06.10.2017	doc 26.50 KB	<a href="#">↓</a>
ausschreiben.de 750-960			<a href="#">↓</a>

Instruction Leaflet

CCC Ex (Additional information)	26.04.2023	pdf 159.76 KB	
---------------------------------	------------	------------------	---

CAD/CAE-Data

CAD data	CAE data
2D/3D Models 750-960 	EPLAN Data Portal 750-960 
	WSCAD Universe 750-960 
	ZUKEN Portal 750-960 