

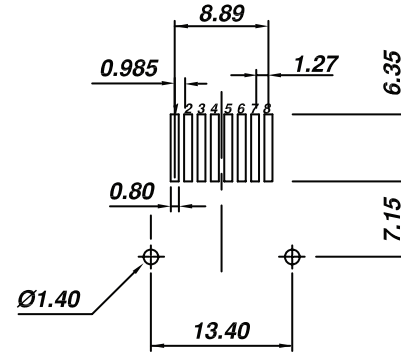
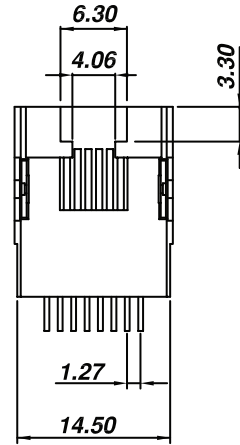
1

2

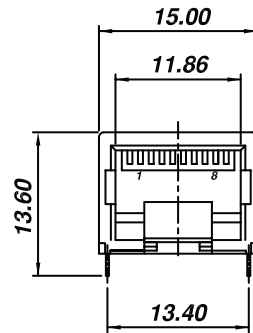
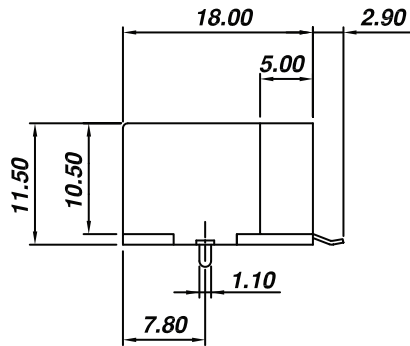
3

4

5



PCB LAYOUT - COMPONENT VIEW



TECHNICAL CHARACTERISTICS

MATERIAL  
 INSULATOR: - HOUSING: PA 9T  
 - INSERT HOUSING: PA 46  
 FLAMABILITY RATING: UL94-V0  
 COLOR: BLACK  
 CONTACT MATERIAL: COPPER ALLOY  
 CONTACT TYPE: STAMPED  
 CONTACT PLATING: SELECTIVE GOLD  
 QUALITY CLASS: 1500 MATING CYLCES

ENVIRONMENTAL  
 OPERATING TEMPERATURE: -40°C UP TO +85°C  
 COMPLIANCE: LEAD FREE AND ROHS

ELECTRICAL  
 CURRENT RATING: 1.5A  
 WORKING VOLTAGE: 120V AC  
 INSULATION RESISTANCE: >500MΩ  
 WITHSTANDING VOLTAGE: 1000 VAC/min  
 CONTACT RESISTANCE: 20 mΩ max

STANDARD  
 CERTIFIED: E324776

SOLDERING  
 JEDEC LEAD FREE REFLOW SOLDERING PROCESS

PACKAGING  
 TAPE & REEL

RoHS Compliant

G			
F			
E			
D			
C			
B			
A	25-JUL-14	PDF	AS
REV	DATE	FILE	BY

PROJECTION:



APPROVAL: RJ

GENERAL TOLERANCE

.X = +/- 0.3  
 .XX = +/- 0.25



UNIT: MM

SCALE:

SHEET: 1/1

DRAW: AS

DESCRIPTION: HORIZONTAL PLASTIC LOW PROFILE SMT 10P8C  
 TAB DOWN

WERI PART NO: 634 108 149 921

SIZE

A4

A

B

C

D

1

2

3

4

5

## Cautions and Warnings:

This electronic component is designed and developed with the intention for use in general electronics equipments.

Before incorporating the components into any equipments in the field such as aerospace, aviation, nuclear control, submarine, transportation, (automotive control, train control, ship control), transportation signal, disaster prevention, medical, public information network etc. where higher safety and reliability are especially required or if there is possibility of direct damage or injury to human body, Würth Elektronik must be asked for a written approval.

In addition, even electronic component in general electronic equipments, when used in electrical circuits that require high safety, reliability functions or performance, the sufficient reliability evaluation-check for the safety must be performed before by the user before usage.

A

B

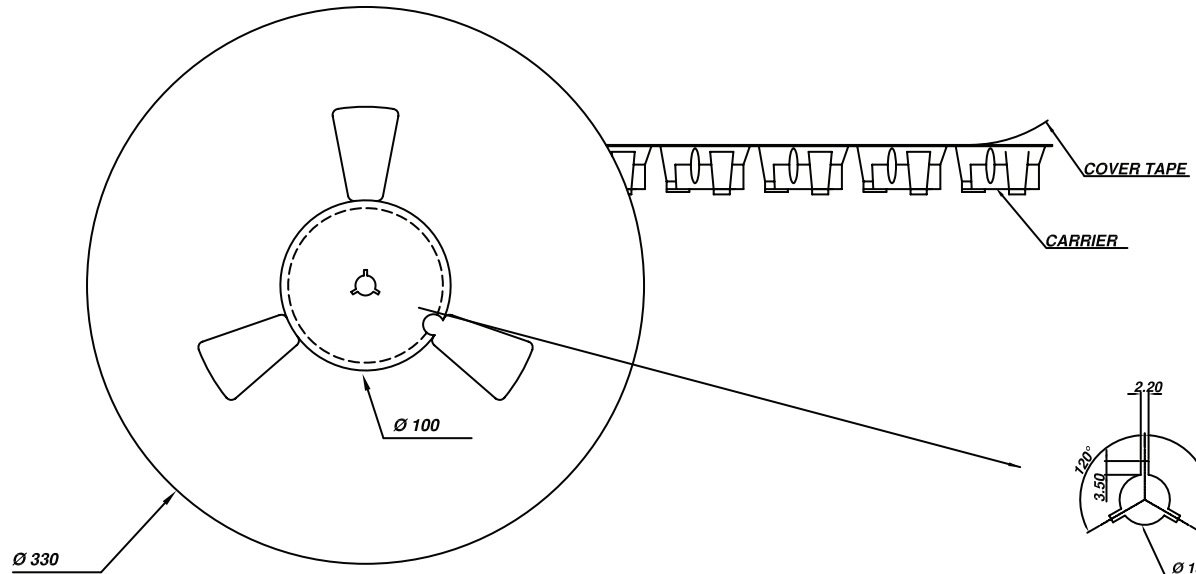
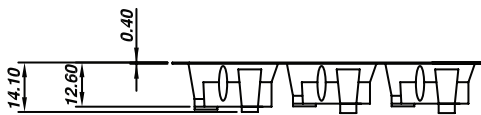
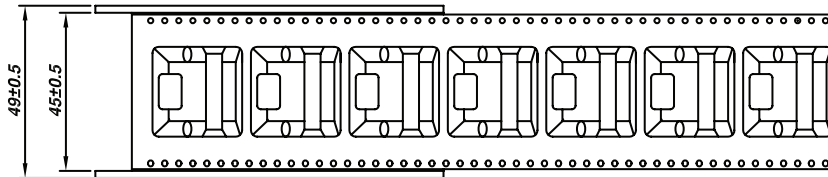
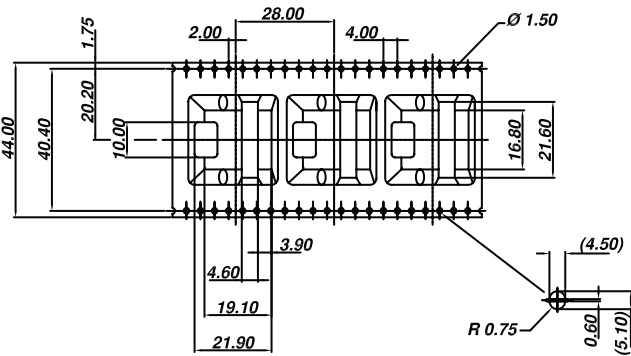
C

RoHS Compliant

G				PROJECTION: 	GENERAL TOLERANCE .X = +/- 0.2 .XX = +/- 0.15		
F							
E							
D							
C				APPROVAL: JC	UNIT: MM	DESCRIPTION: DISCLAIMER	SIZE <b>A4</b>
B					SCALE:		
A	10-SEP-14	PDF	QL		SHEET: 1/1	WERI PART NO: DISCLAIMER	
REV	DATE	FILE	BY		DRAW: QL		

D

1 2 3 4 5



RoHS Compliant			
G			
F			
E			
D			
C			
B			
A	23-JUL-14	PDF	AS
REV	DATE	FILE	BY

PROJECTION:



APPROVAL: RJ

GENERAL TOLERANCE

.X =  $\pm 0.2$

.XX =  $\pm 0.15$

UNIT: MM

SCALE:

SHEET: 1/1

DRAW: AS



DESCRIPTION: HORIZONTAL PLASTIC LOW PROFILE SMT 10P8C  
TAB DOWN

WERI PART NO: 634 108 149 921

SIZE

**A4**

A

B

C

D

1

2

3

4

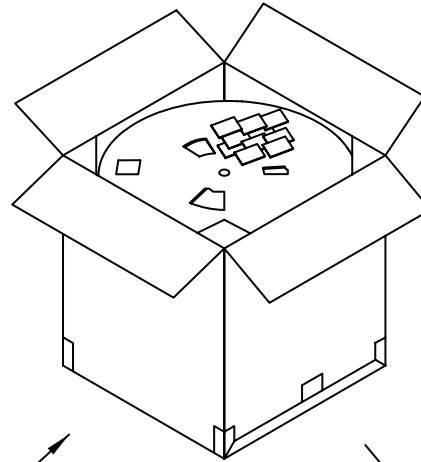
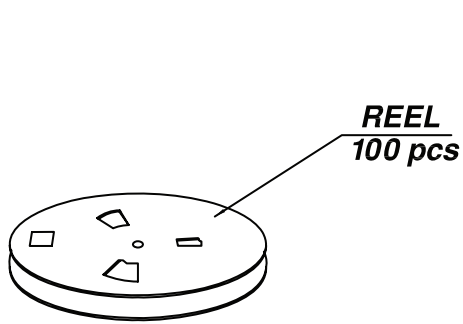
5

A

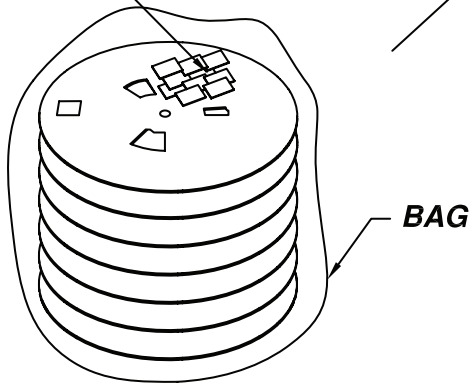
B

C

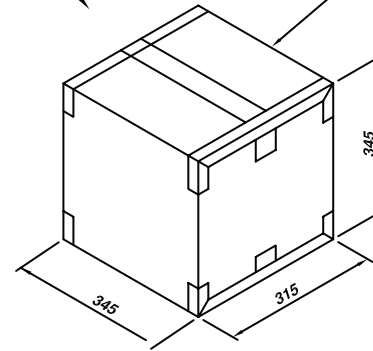
D



**20 DESICCATING AGENTS**  
**AT LEAST**



**CARTON**  
**TOTAL: 600 PCS**



RoHS Compliant			
G			
F			
E			
D			
C			
B			
A	28-AUG-14	PDF	AS
REV	DATE	FILE	BY

PROJECTION:



GENERAL TOLERANCE

.X = +/- 0.2

.XX = +/- 0.15



APPROVAL: RJ

UNIT: MM

SCALE:

SHEET: 1/1

DRAW: AS

**DESCRIPTION: HORIZONTAL PLASTIC LOW PROFILE SMT 10P8C**  
**TAB DOWN**

**WERI PART NO: 634 108 149 921**

SIZE

**A4**