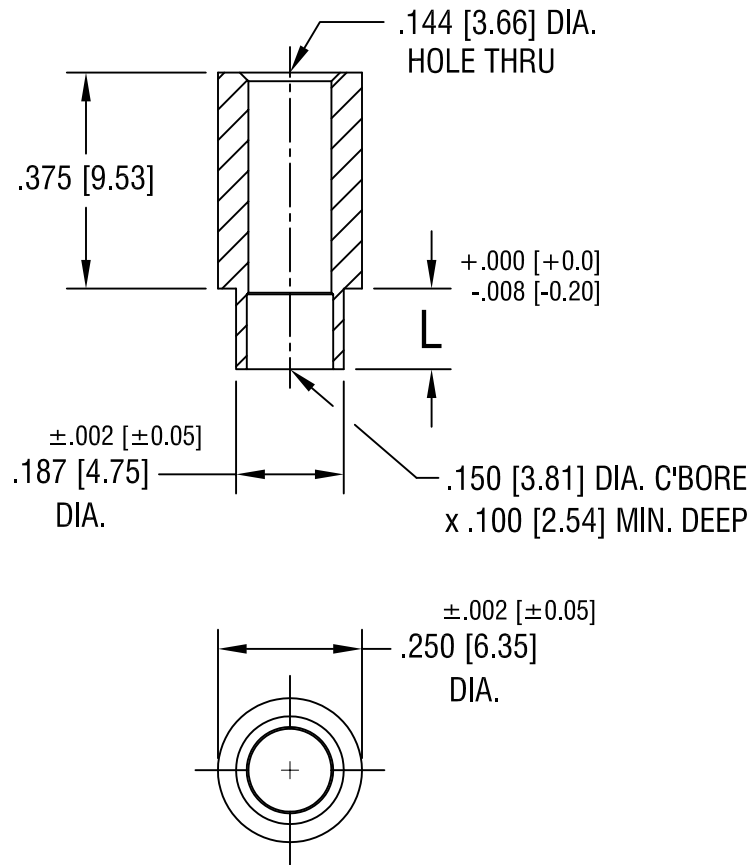


THIS DOCUMENT IS THE PROPERTY OF
KEYSTONE ELECTRONICS CORP. AND
SHALL NOT BE REPRODUCED, DISTRIBUTED
OR USED AS A BASIS FOR MANUFACTURE
WITHOUT PRIOR WRITTEN PERMISSION
FROM KEYSTONE ELECTRONICS CORP.



| PART NO. | 'L' DIM. |
|----------|-------------|
| 5064-2 | .109 [2.77] |
| 5064-3 | .140 [3.56] |

| | | | |
|-----------------------------------|--|---------------|----------------|
| KEYSTONE ELECTRONICS CORP. | | | |
| ASTORIA, N.Y. 11105-2017 | | | |
| PART NAME | | | |
| ROUND SWAGE CLEAR SPACER | | | |
| MATERIAL | | | |
| BRASS | | | |
| FINISH | | DRN BY | DATE |
| DUCTILE NICKEL PLATE | | BOONE | 3.10.00 |
| | | APPD | SCALE |
| | | | 3X |
| TOLERANCES | | INCH | [MM] |
| DECIMAL | | $\pm .005$ | [± 0.15] |
| ANGULAR | | $\pm 1^\circ$ | |
| UNLESS OTHERWISE SPECIFIED | | CODE | DWG NO. |
| | | C/M | 5064- |

| DATE | DESCRIPTION | REV. |
|------|-------------|------|
| | | |