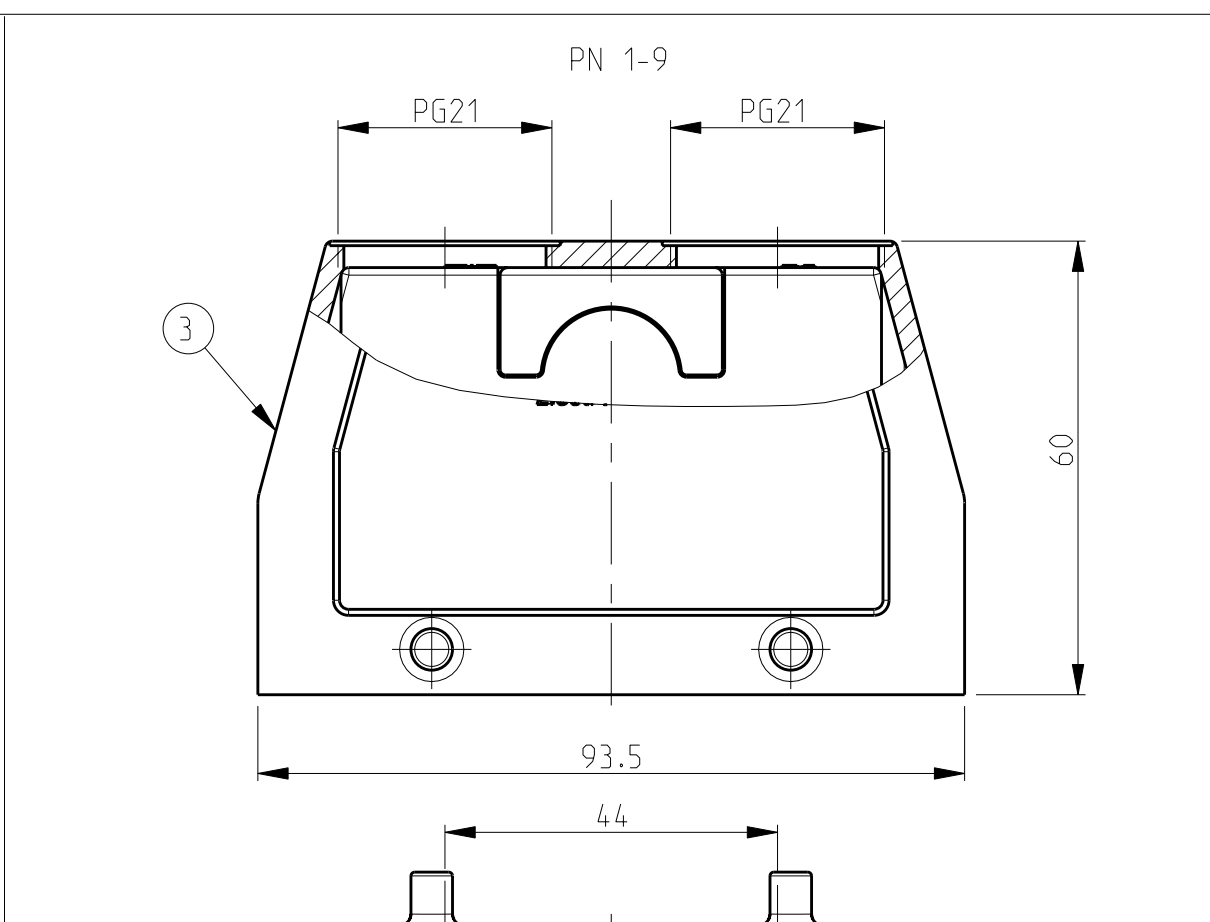
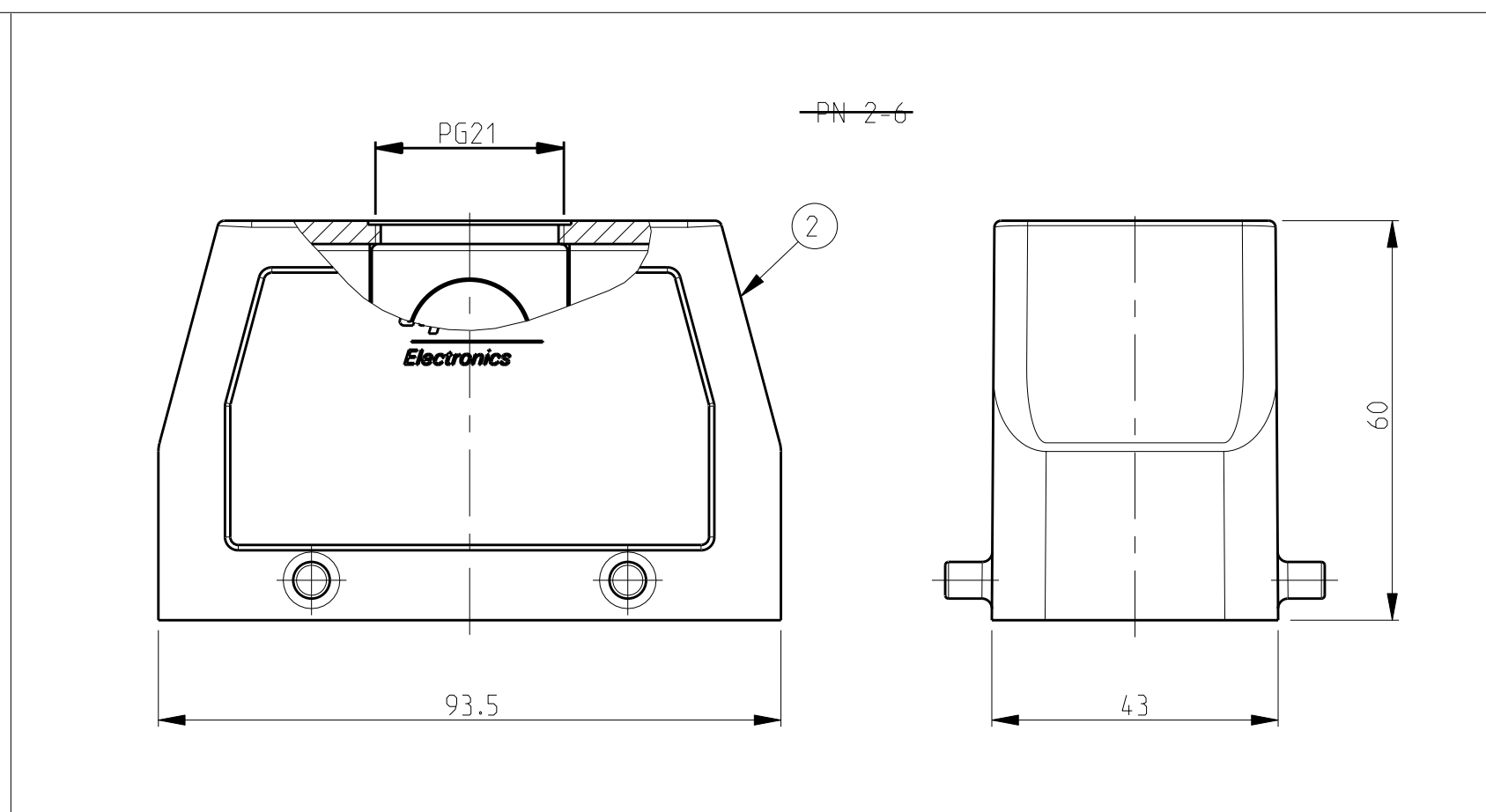
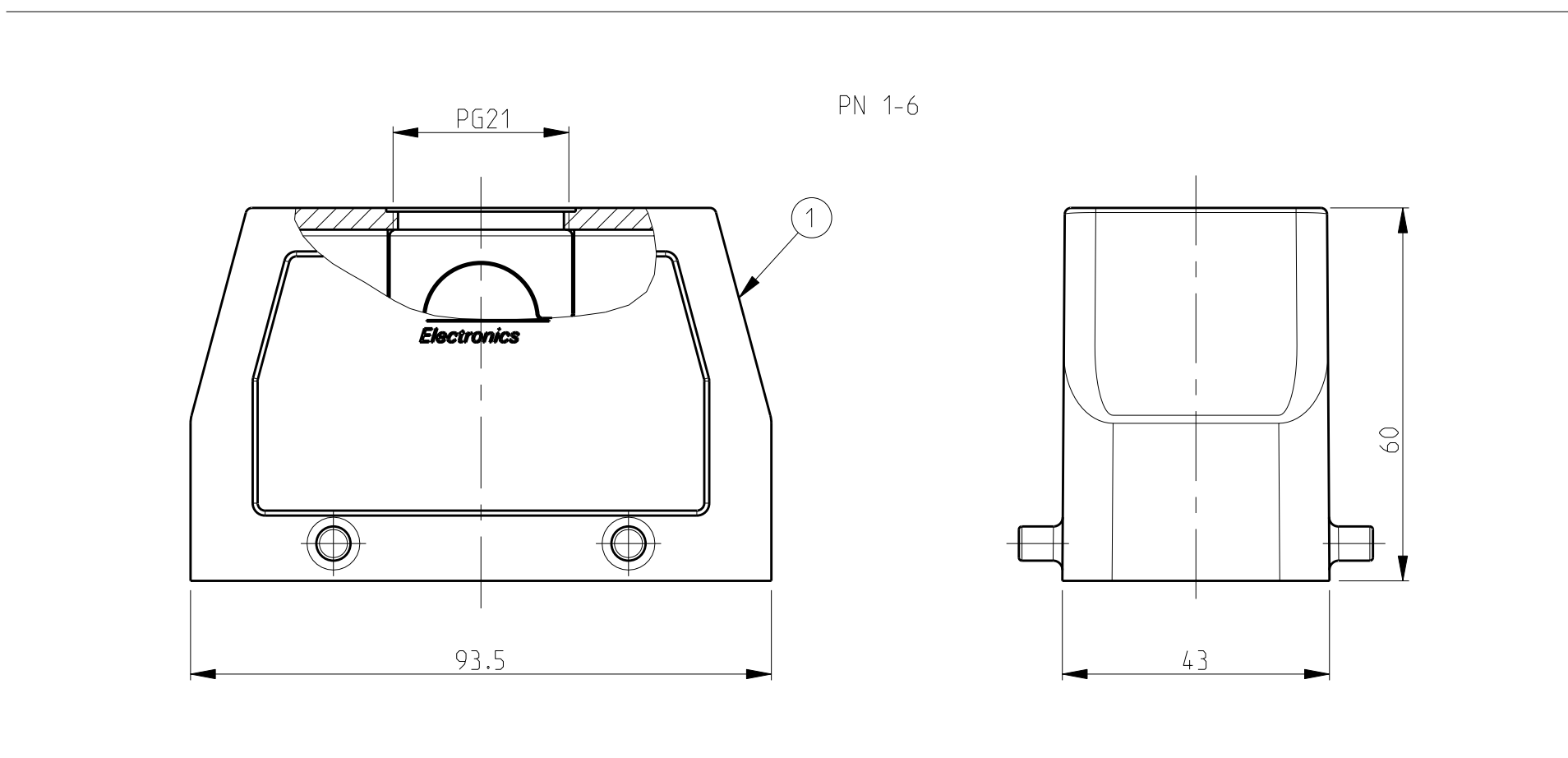
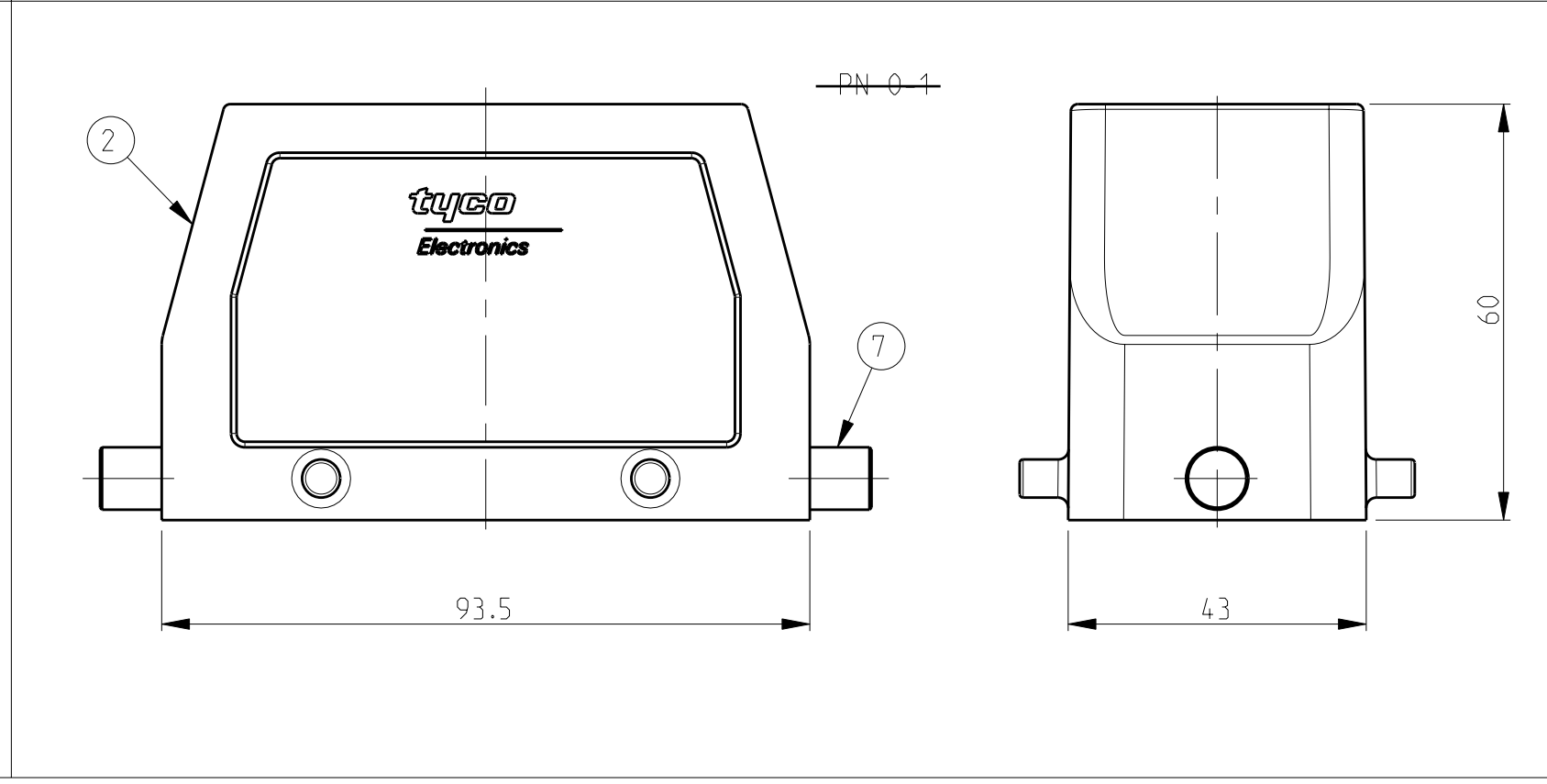
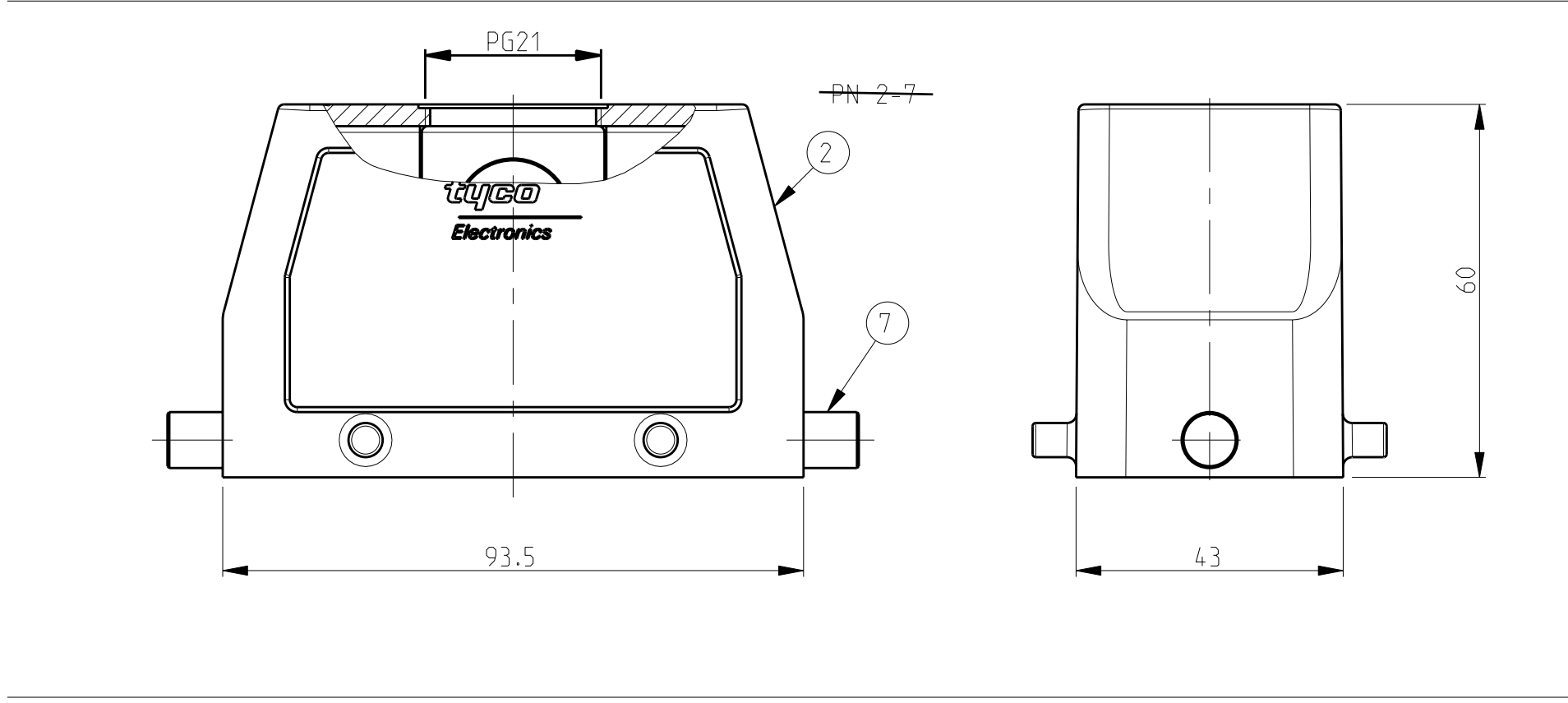
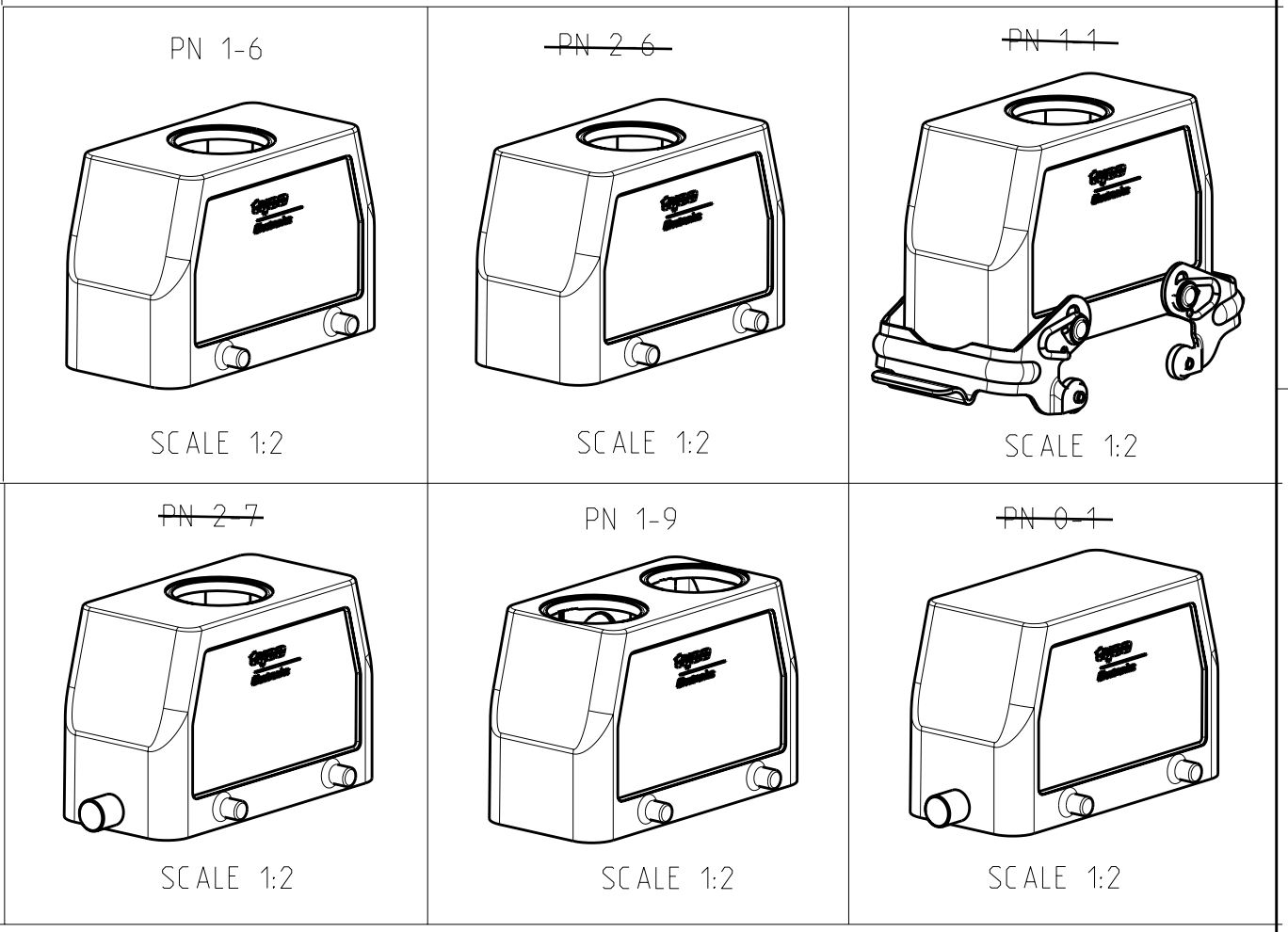
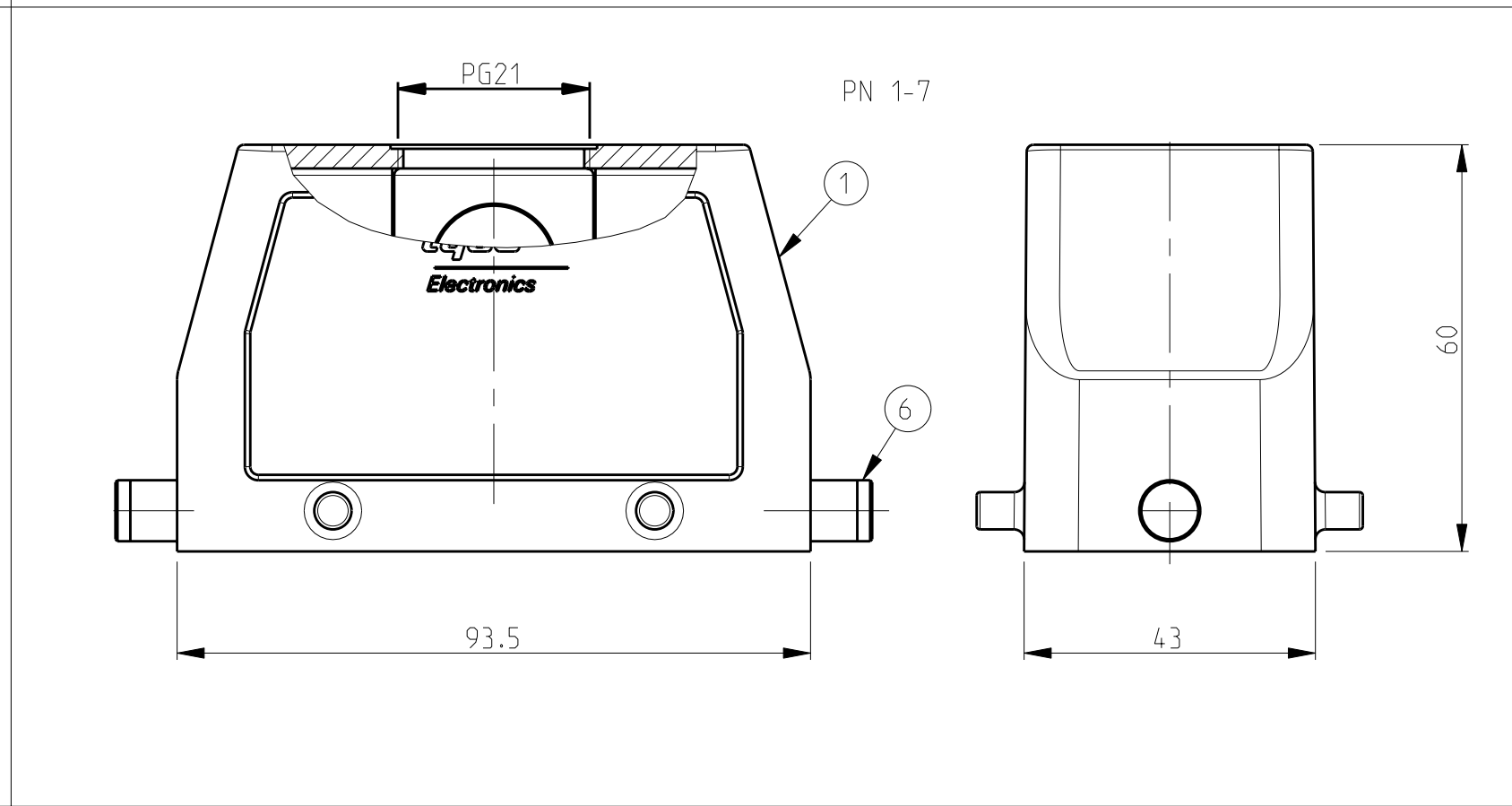
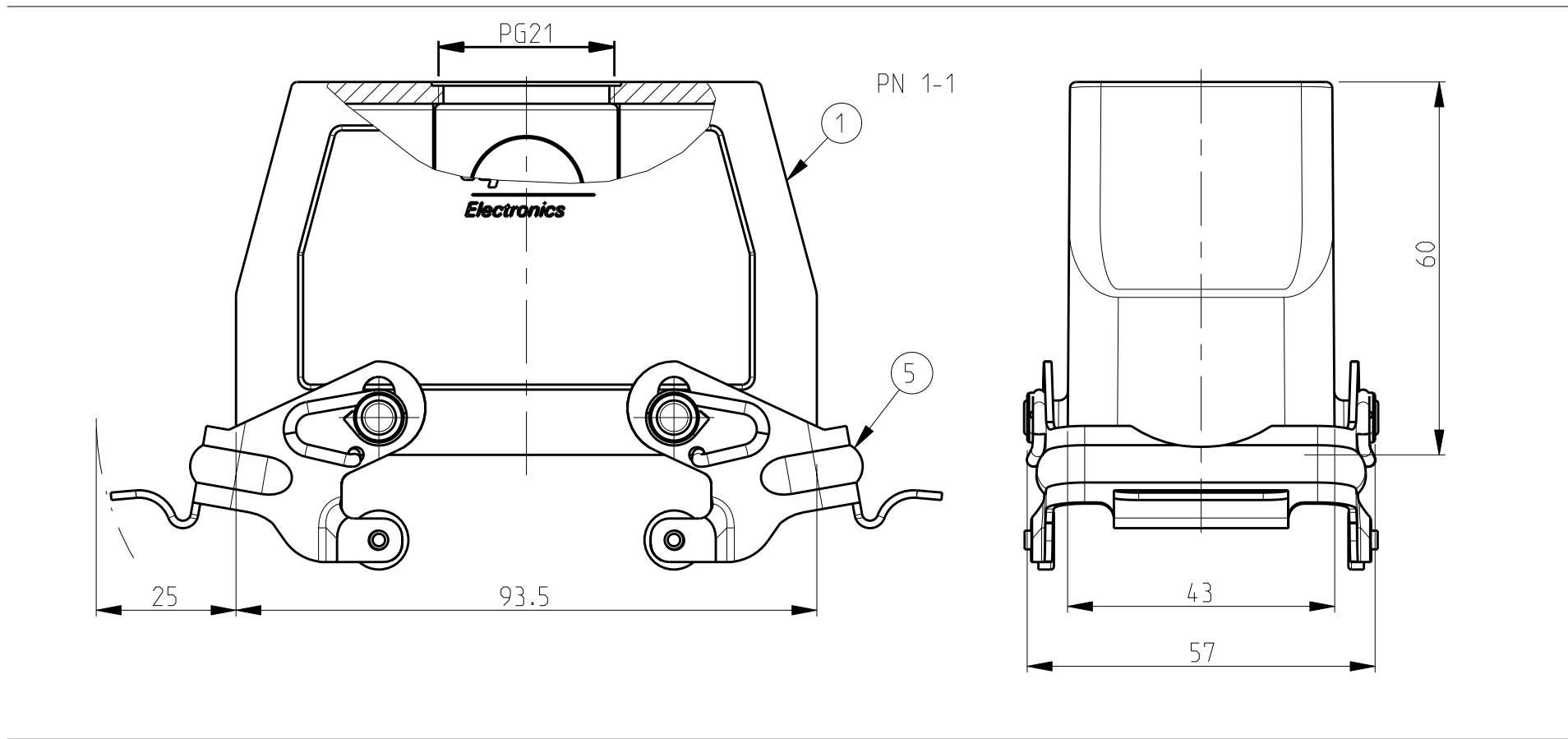


LOC	DIST	REVISIONS			
P	LTR	DESCRIPTION	DATE	OWN	APVD
A5		REVISED PER ECR-16-016768	24JAN2018	SRG	MKO
A6		ECR-17-013084	29MAR18	SG	MKO



- NOTES
- Material: Housing: aluminium diecasting alloy
  - Surface: Varnish grey  
Aluminium oxide+Varnish Black
  - Varnish on the inside not necessary
  - Packaging  
Packaging quantity 5 piece in a box



QTY	DESCRIPTION	MATERIAL	SURFACE	COLOR	ITEM NO	NOTES
2	LB-clip bolt	Stainless steel	Blank		7	
2	LB-clip bolt	Steel	Zinc plated	Blue	6	
2	VS-Locking clip	Steel	Zinc plated	Blue	5	
	VS-Clip positioner	Stainless steel	Blank		4	
1	HB Hood	Aluminium		Grey	3	2xPg21
	HB-K Hood	Aluminium	Aluminium oxide	Black	2	
	HB Hood	Aluminium		Grey	1	

ORDERING TEXT

HB.16.ST0.1.21.G  
 HB.K.16.ST0.1.21.G  
 HB.16.ST0.VS.1.21.G  
 HB.16.ST0-GR.1.21.G  
 HB.K.16.ST0-GR.1.21.G  
 HB.16.ST0.2.21.G  
 HB.K.16.ST-GR

DIMENSIONS: mm		TOLERANCES UNLESS OTHERWISE SPECIFIED:		DWN: Schneider 10.11.02		CWN: Schneider 10.11.02		TE Connectivity NAME: Hood HB.16.ST0.1.21.G	
0 PPR 0.050 1 PLC ±0.100 2 PLC ±0.150 3 PLC ±0.200 4 PCC ±0.250 5 HOLES ±0.300		±0.100 ±0.150 ±0.200 ±0.250 ±0.300		PRODUCT SPEC 108-74.001 108-74.003 APPLICATION SPEC 114-74.001 114-74.004		WEIGHT CUSTOMER DRAWING			

AMP 4805 REV 31MAR2000  
 ProENGINEER DRAWING