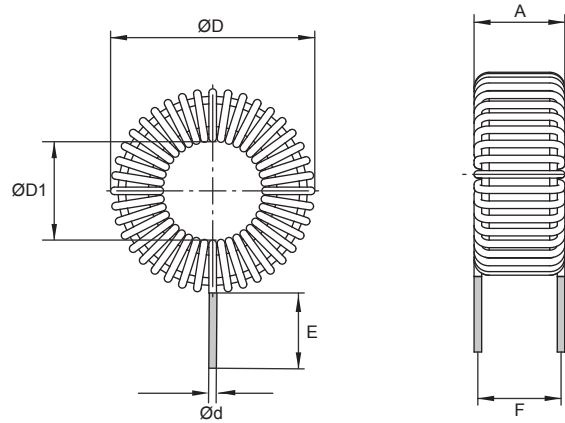


TLC/0.5A



Part No	Inductance (fL = 1 kHz)		Tol ± (%)	DCR max (mΩ)	Weight (grams)	Dimensions						SPQ: Loose / Box
	At Idc=0A (µH)	At rated current (µH)				ØD max	F	A max	E	Ød	ØD1 min	
TLC/0.5A-100M-00	10	9.9	20	70	2.8	14	5.5	6.5	10	0.32	5	600
TLC/0.5A-150M-00	15	14.8	20	86	2.9	14	5.5	6.5	10	0.32	5	600
TLC/0.5A-220M-00	22	21.5	20	105	2.9	14	5.5	6.5	10	0.32	5	600
TLC/0.5A-330M-00	33	32.0	20	130	3.0	14	5.5	6.5	10	0.32	5	600
TLC/0.5A-470M-00	47	45.0	20	150	3.0	14	5.5	6.5	10	0.32	5	600
TLC/0.5A-680M-00	68	64.2	20	185	3.1	14	5.5	6.5	10	0.32	5	600
TLC/0.5A-101M-00	100	92.5	20	220	3.2	14	5.5	6.5	10	0.32	5	600
TLC/0.5A-151M-00	150	134.2	20	270	3.4	14	5.5	6.5	10	0.32	5	600
TLC/0.5A-221M-00	220	203.7	20	340	6.1	19	5.5	6.5	10	0.32	7	500
TLC/0.5A-331M-00	330	296.7	20	420	6.4	19	5.5	6.5	10	0.32	7	500
TLC/0.5A-471M-00	470	426.3	20	560	10.0	21.5	7	8	10	0.32	7	400
TLC/0.5A-681M-00	680	595.7	20	680	10.3	21.5	7	8	10	0.32	10	400
TLC/0.5A-102M-00	1000	836.0	20	820	10.8	21.5	7	8	10	0.32	10	400

Material : Iron Dust

Toroid Line Chokes