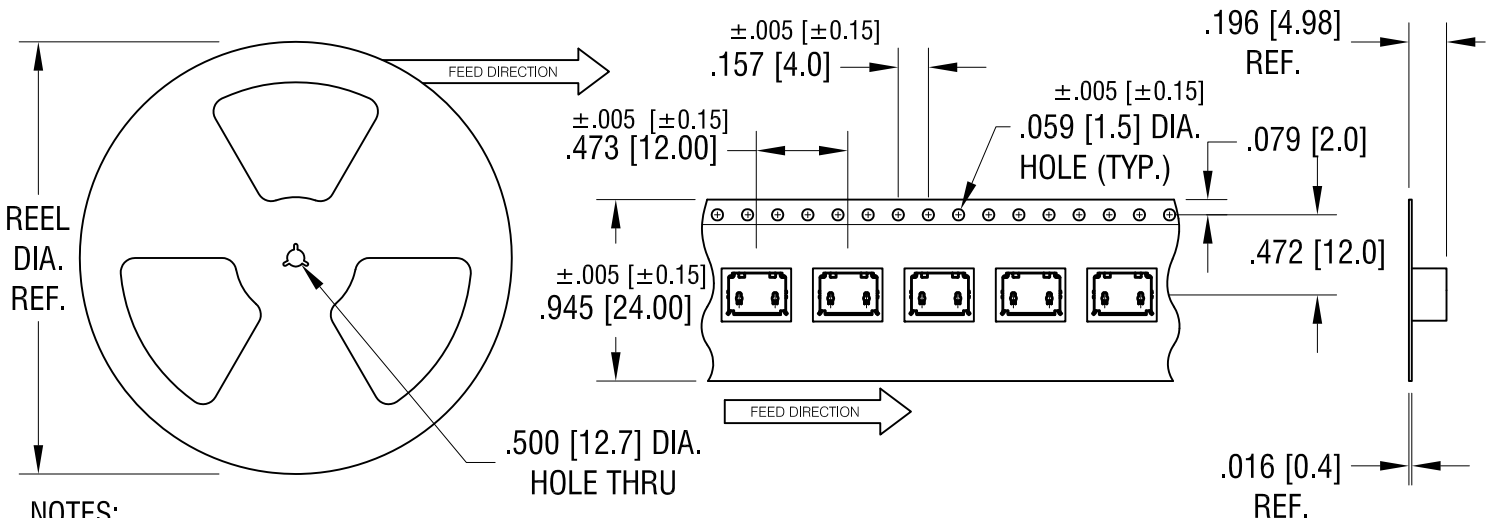
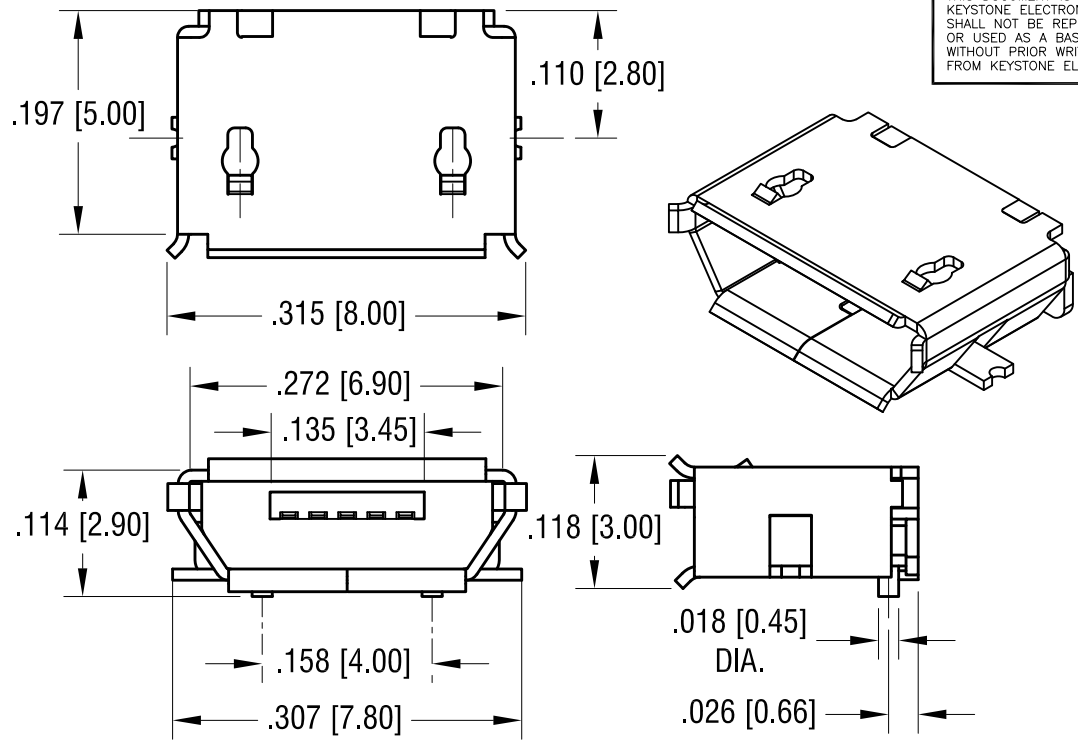


THIS DOCUMENT IS THE PROPERTY OF KEYSTONE ELECTRONICS CORP. AND SHALL NOT BE REPRODUCED, DISTRIBUTED OR USED AS A BASIS FOR MANUFACTURE WITHOUT PRIOR WRITTEN PERMISSION FROM KEYSTONE ELECTRONICS CORP.



NOTES:

TAPE AND REEL SPECIFICATIONS:

1. TAPE:

MAT'L - ALL CONDUCTIVE POLYSTYRENE CARRIER
ANSI/EIA-481 STANDARD

2. REEL:

13.0 [330] DIA. 1000 PIECES OF PART NO. 940 PER REEL.

KEYSTONE ELECTRONICS CORP.			
www.keyelco.com • ASTORIA, N.Y. 11105-2017 • Tel (718) 956-8900			
PART NAME		USB MICRO SOCKET ON TAPE	
MATERIAL			
AS NOTED			
FINISH		DRN BY	DATE
AS NOTED		NT	11.19.09
		APP'D	SCALE
		LN	1X
TOLERANCES	INCH [MM]	CODE	DWG NO.
DECIMAL	± .015 [± 0.38]	C/M	940TR
ANGULAR	± 1°		
UNLESS OTHERWISE SPECIFIED			

10.03.12	CHANGE AS PER ECN 12-150	D
9.18.12	CHANGE AS PER ECN 12-147	C
8.12.11	CHANGE AS PER ECN 11-094	B
7.08.10	CHANGE AS PER ECN 10-052	A
DATE	DESCRIPTION	REV.