

Data sheet

257-767

MODULAR PCB TERMINAL BLOCK 2 SOLDER PINS / POLE
PIN SPACING 10/10.16 MM / 0.4 IN STRAIGHT LEVER FRONT-/SIDE-ENTRY



Technical data

Package size 300 3*100 pieces.

Pin spacing from	10 mm
Pin spacing up to	10.16 mm
Pin spacing from	0.394 in
Pin spacing up to	0.4 in
pole count	1
Cross section from [mm ²]	0.08 mm ²
Cross section to [mm ²]	2.5 mm ²
Cross section from [AWG]	28 AWG
Cross section to [AWG]	12 AWG
Voltage UL	300 V
Voltage CSA	300/600 V
Current UL	15 A
Current CSA	15/5 A
Measured voltage EN	500 V
Measured shock voltage	6 kV
Pollution degree	3
Current intensity EN	16 A
Measured voltage EN	1000 V
Measured shock voltage	6 kV
Pollution degree	2
Current intensity EN	16 A
Weight	1.6 g
Color	light green

Data sheet**257-767****MODULAR PCB TERMINAL BLOCK 2 SOLDER PINS / POLE
PIN SPACING 10/10.16 MM / 0.4 IN STRAIGHT LEVER FRONT-/SIDE-ENTRY**

Wiring type	Front-/Side-entry
No. of connection Points	1
No. of potentials	1
Height	20.4 mm
Height	0.803 in
Width	10 mm
Width	0.394 in
Depth	14.2 mm
Depth	0.559 in
Strip length from	5 mm
Strip length to	6 mm
Strip length	0.22 in

Data sheet

257-767

**MODULAR PCB TERMINAL BLOCK 2 SOLDER PINS / POLE
PIN SPACING 10/10.16 MM / 0.4 IN STRAIGHT LEVER FRONT-/SIDE-ENTRY**

Approval	Voltage	Current	Approval number	Notes
BBJ	500	16	B/12/697/03	
BV	1000/500	16	11915/A0	
CCA	500	16	DK2082	
CSA	300/600	15/5	18677-45	
CSM	500/1000	16	017956	
DEMKO	500	16	98-04355	
DNV	1000/500	16	E6998	
GL	1000/500	16	17296-00HH	
KEMA	660		93.9001.01	
RMR	500	16	99.00007.250	
RosTesT	500/1000	16	B09523	
UL	300	15	E45172	

Data sheet

257-767

MODULAR PCB TERMINAL BLOCK 2 SOLDER PINS / POLE PIN SPACING 10/10.16 MM / 0.4 IN STRAIGHT LEVER FRONT-/SIDE-ENTRY

Accessories

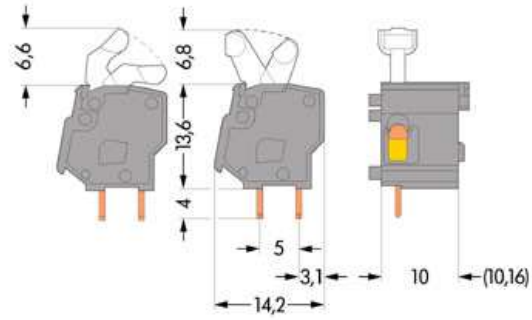
Item number

END PLATE SNAP FIT TYPE	257-700
Jumper GDS RM 5mm	Jumper PCB Spacing 5mm
Jumper GDS RM 7,5mm	Jumper PCB Spacing 7.5mm
Profile PCB 236, 255, 256	Profile PCB 236, 255, 256
Profile PCB 257, 736, 737, 738	Profile PCB 257, 736, 737, 738
SCREWDRIVER 3.5 X 0.5 MM / 0.137 X 0.019IN	210-257
SCREWDRIVER 3.5 X 0.5 MM / 0.137 X 0.019IN	210-258
SCREWDRIVER Type 2, bar (3,5 x 0,5) mm	210-120
SCREWDRIVER WITH PARTIALLY INSULATED SHAFT Type 2, bar (3,5 x 0,5) mm	210-620
SELF-ADHESIVE MARKER STRIPS SUITABLE FOR TERMINAL STRIPS WITH PIN SPACING 10.16 MM	249-177
SELF-ADHESIVE MARKER STRIPS SUITABLE FOR TERMINAL STRIPS WITH PIN SPACING 10.16 MM	249-176/238-880
SELF-ADHESIVE MARKER STRIPS SUITABLE FOR TERMINAL STRIPS WITH PIN SPACING 10.16 MM	249-176/238-872
SELF-ADHESIVE MARKER STRIPS SUITABLE FOR TERMINAL STRIPS WITH PIN SPACING 10.16 MM	249-176/238-873
SELF-ADHESIVE MARKER STRIPS SUITABLE FOR TERMINAL STRIPS WITH PIN SPACING 10MM	249-175
SELF-ADHESIVE MARKER STRIPS SUITABLE FOR TERMINAL STRIPS WITH PIN SPACING 10MM	249-174/238-862
SELF-ADHESIVE MARKER STRIPS SUITABLE FOR TERMINAL STRIPS WITH PIN SPACING 10MM	249-174/238-863
SELF-ADHESIVE MARKER STRIPS SUITABLE FOR TERMINAL STRIPS WITH PIN SPACING 10MM	249-174/238-870
SELF-ADHESIVE MARKER STRIPS SUITABLE FOR TERMINAL STRIPS WITH PIN SPACING 10MM	249-174/237-108
SPACER FOR DOUBLING THE PIN SPACING	257-821
TEST PLUG SUITABLE FOR PCB TERMINAL BLOCKS, SERIES 255, 256, 257	249-114
TEST PLUG SUITABLE FOR PCB TERMINAL BLOCKS, SERIES 255, 256, 257	249-115

Data sheet

257-767

**MODULAR PCB TERMINAL BLOCK 2 SOLDER PINS / POLE
PIN SPACING 10/10.16 MM / 0.4 IN STRAIGHT LEVER FRONT-/SIDE-ENTRY**



Data sheet

257-767

**MODULAR PCB TERMINAL BLOCK 2 SOLDER PINS / POLE
PIN SPACING 10/10.16 MM / 0.4 IN STRAIGHT LEVER FRONT-/SIDE-ENTRY**

Diameter of drilled hole: $1,1^{+0,1}$ mm