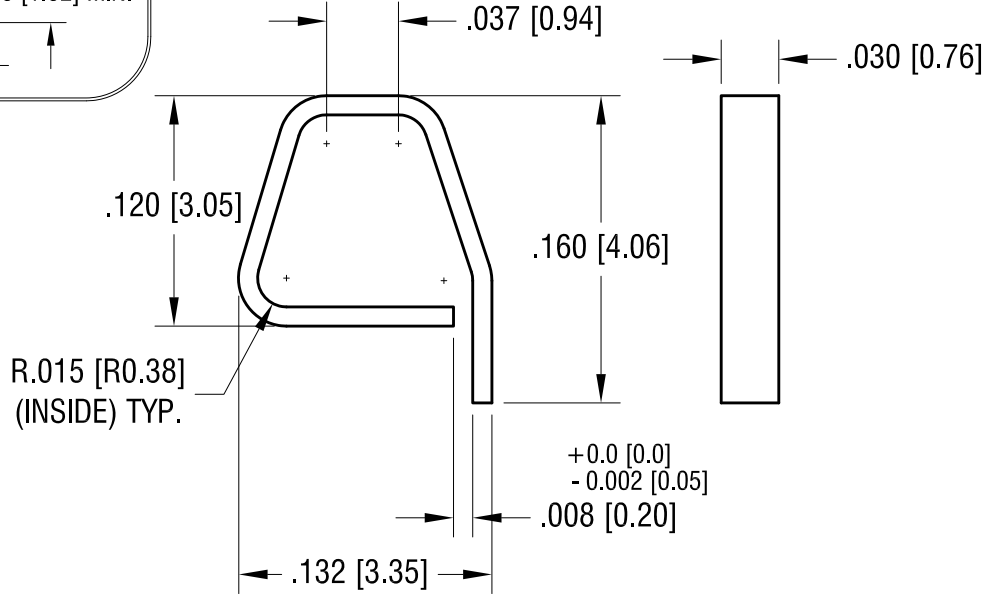
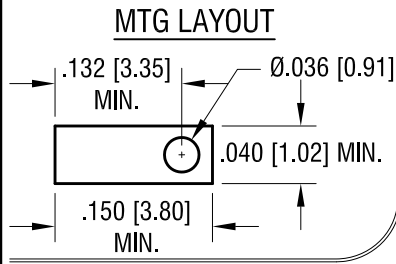
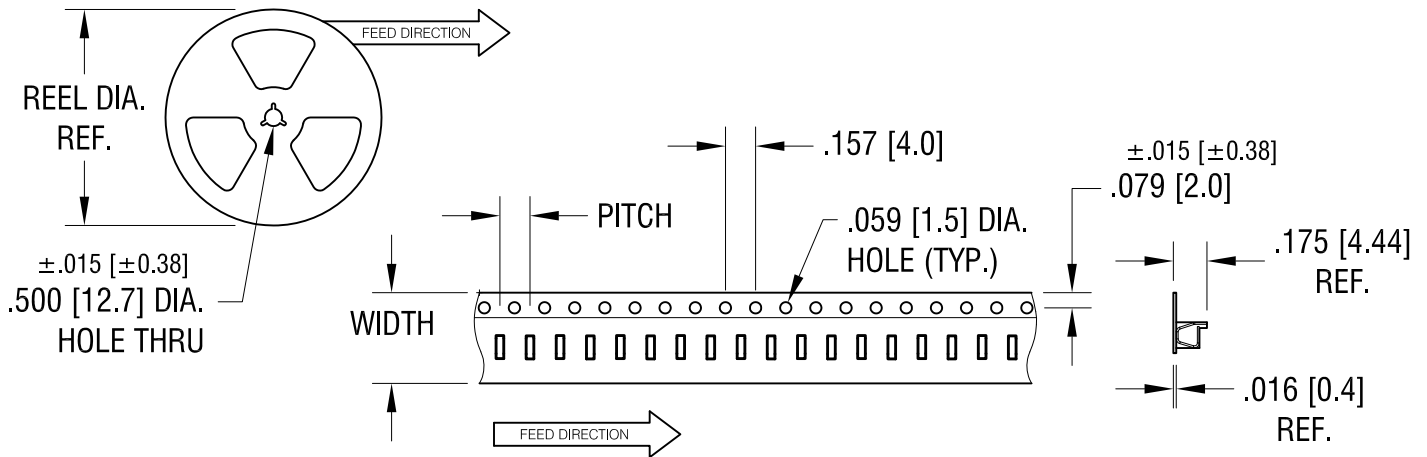


THIS DOCUMENT IS THE PROPERTY OF KEYSTONE ELECTRONICS CORP. AND SHALL NOT BE REPRODUCED, DISTRIBUTED OR USED AS A BASIS FOR MANUFACTURE WITHOUT PRIOR WRITTEN PERMISSION FROM KEYSTONE ELECTRONICS CORP.



ACTUAL SIZE
P/N 5027



NOTES:

1. SUPPLIED ON TAPE AND REEL ONLY.
TAPE AND REEL SPECIFICATIONS:
2. TAPE:
MAT'L - ALL CONDUCTIVE POLYSTYRENE CARRIER
ANSI/EIA-481 STANDARD
.472 [12.0] WIDE; .157 [4.0] PITCH
3. REEL:
7.0 [177.8] DIA. 800 PIECES PER REEL

3.12.15	ADD MTG. LAYOUT CHANGE AS PER ECN 15-026	A
DATE	DESCRIPTION	REV.

KEYSTONE ELECTRONICS CORP.			
www.keyelco.com • ASTORIA, N.Y. 11105-2017 • Tel (718) 956-8900			
PART NAME TEST POINT, MINIATURE, SURFACE MOUNT			
MATERIAL .010 [0.25] TH'K PHOSPHOR BRONZE			
FINISH SILVER PLATE		DRN BY NT	DATE 11.26.14
		APPD LN	SCALE 10X, 1X
TOLERANCES	INCH [MM]	CODE	DWG NO.
DECIMAL	± .005 [± 0.13]	C	5027
ANGULAR	± 1°		
UNLESS OTHERWISE SPECIFIED			