

THE INFORMATION CONTAINED HEREIN IS CONSIDERED "PROPRIETARY" TO BEL FUSE INC. AND SHALL NOT BE COPIED, REPRODUCED OR DISCLOSED WITHOUT THE WRITTEN APPROVAL OF BEL FUSE INC.

RoHS

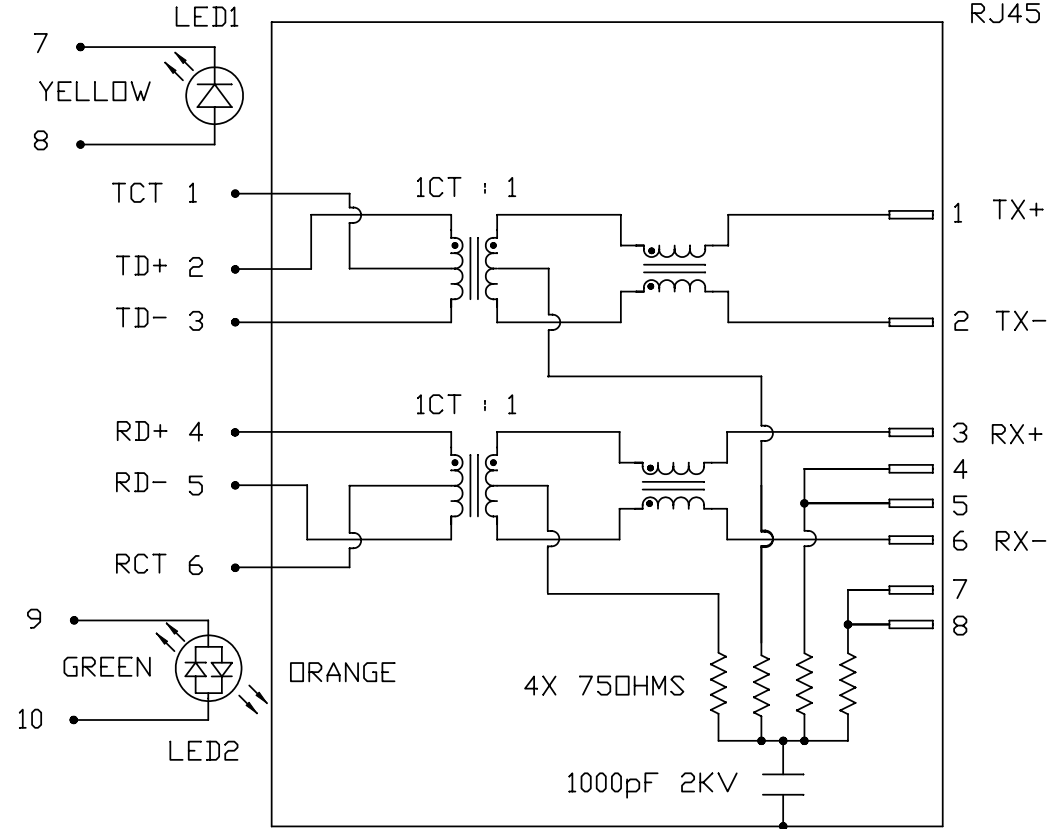


ELECTRICAL CHARACTERISTICS @ 25°C

TRANSFORMER RATIO	TX	1CT : 1
	RX	1CT : 1
DCL @ 100kHz/100mVRMS		350μH MIN.
8mA DC BIAS		
INS. LOSS		
1MHZ TO 100MHZ		-1.0 dB MAX
RET. LOSS (MIN)		
1MHZ-30MHZ		-18 dB
30MHZ-60MHZ		-18+20LOG(F/30MHZ) dB
60MHZ-80MHZ		-12 dB
CROSS TALK (TX - RX)		
500kHz-1MHZ		-70 dB MIN
10 MHz		-50 dB MIN
30 MHz		-45 dB MIN
50 MHz		-40 dB MIN
100 MHz		-35 dB MIN
CM TO CM REJ		
100kHz-1MHZ		-70 dB MIN
10 MHz		-47 dB MIN
30 MHz		-42 dB MIN
60 MHz		-37 dB MIN
100 MHz		-30 dB MIN
CM TO DM REJ		
100kHz-1MHZ		-70 dB MIN
10 MHz		-60 dB MIN
30 MHz		-50 dB MIN
60 MHz		-45 dB MIN
100 MHz		-40 dB MIN
HIPOT (Isolation Voltage):		1500 Vrms
100% OF PRODUCTION TESTED TO COMPLY WITH IEEE 802.3 ISOLATION REQUIREMENTS.		
OPERATING TEMPERATURE:		-40°C TO 85°C

LED1 POLARITY			LED2 POLARITY		
PIN 7	PIN 8	COLOR	PIN 9	PIN 10	COLOR
-	+	YELLOW	+	-	ORANGE
/	/	/	-	+	GREEN

SCHEMATIC



RJ45

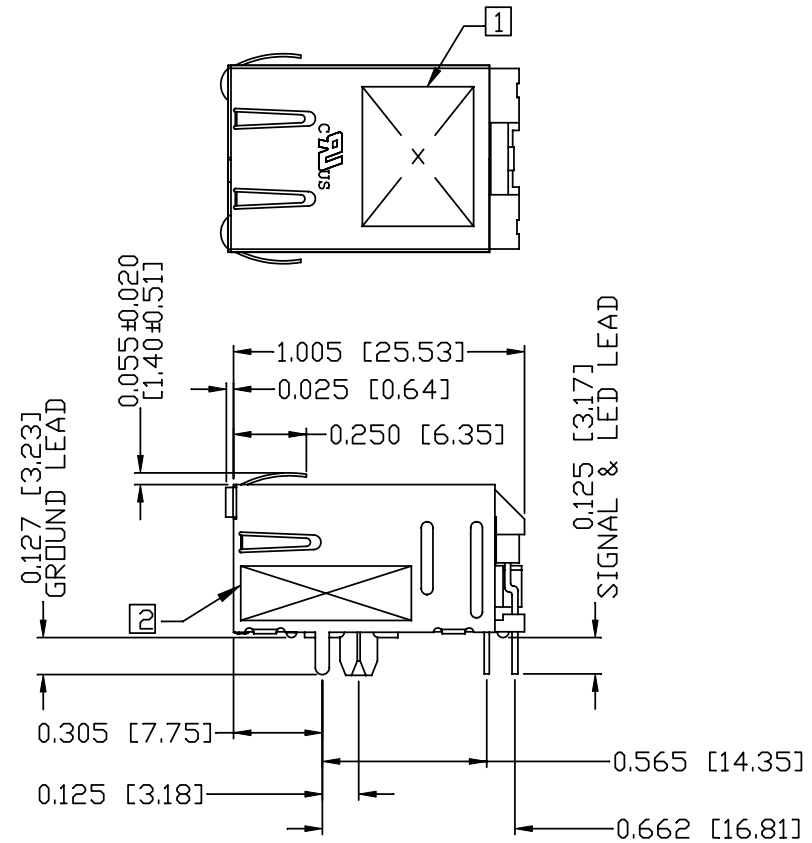
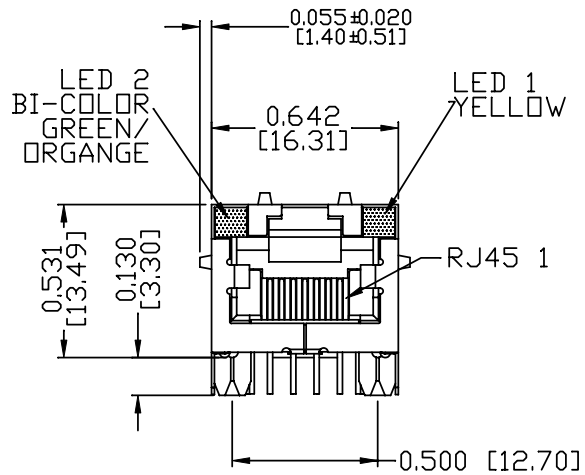
LED 1	VF (FORWARD VOLTAGE)	IF=20mA	YELLOW 2.1V TYP.
	λD (DOMINANT WAVELENGTH)	IF=20mA	YELLOW 590nm TYP.
LED 2	VF (FORWARD VOLTAGE)	IF=20mA	ORANGE 2.0V TYP.
	λD (DOMINANT WAVELENGTH)	IF=20mA	ORANGE 605nm TYP.
			GREEN 2.2V TYP.
			GREEN 570nm TYP.

ORIGINATED BY CHOW WANCHUNG	DATE 2013-10-11	TITLE MagJack® (4 Cores, MDIX, CM Termination) Extended temperature	PART NO. / DRAWING NO. 08B01X1T36-F	STANDARD DIM. TOL. IN INCH	[ ] METRIC DIM. AS REFERENCE	 COMPONENTS FOR A CONNECTED PLANET	
DRAWN BY TAN QIGUANG	DATE 2013-10-11	FILE NAME 08B0-1X1T-36-F PATENTED	08B01X1T36-F	.X	UNIT : INCH [mm]		REV. : C
			08B01X1T36-F_C.DWG	.XX	SCALE : N/A		SIZE : A4
				.XXX		PAGE : 2	

THE INFORMATION CONTAINED HEREIN IS CONSIDERED "PROPRIETARY" TO BEL FUSE INC. AND SHALL NOT BE COPIED, REPRODUCED OR DISCLOSED WITHOUT THE WRITTEN APPROVAL OF BEL FUSE INC.

MECHANICAL SPECIFICATION

RoHS



NOTES:

- PLASTIC HOUSING: THERMOPLASTIC PBT  
FLAMMABILITY RATING UL 94V-0
- CONTACTS PLATING: 15 MICRO-INCH HARD GOLD PLATING OR EQUIVALENT.
- PINS: TIN-COATED COPPER WIRE, DIA 0.018 INCH.
- METAL SHIELD: PRE-PLATED NICKEL ON COPPER ALLOY.
- ① MARK PART WITH MFG LOGO, MFG NAME, PART NUMBER AND DATE CODE.
- ② "PATENTED" MARKING.
- c UL RECOGNIZED - FILE #E196366 AND E169987.

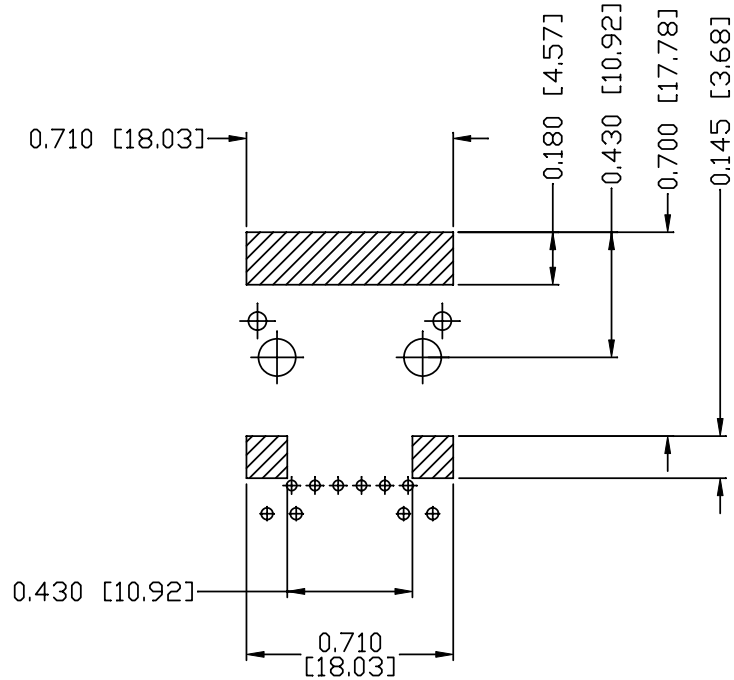
- 3. THE PRODUCT IS RoHS COMPLIANT.
- 4. JACK CAVITY CONFORMS TO FCC RULES AND REGULATIONS, PART 68 SUBPART F.
- 5. THE PRODUCT IS PATENTED. THE PATENT NUMBER IS U.S. PAT. 5,736,910.

ORIGINATED BY ANTON LIAO	DATE 2013-10-11	TITLE MagJack® (4 Cores, MDIX, CM Termination) Extended temperature 08B0-1X1T-36-F PATENTED	PART NO. / DRAWING NO. 08B01X1T36-F	STANDARD DIM.		[ ] METRIC DIM. AS REFERENCE	
				TOL. IN INCH	UNIT : INCH [mm]	REV. : C	
DRAWN BY LIU DONGJUN	DATE 2013-10-11		FILE NAME 08B01X1T36-F_C.DWG	.X	/	SCALE : N/A	SIZE : A4
				.XX			
				.XXX	±0.010		PAGE : 3

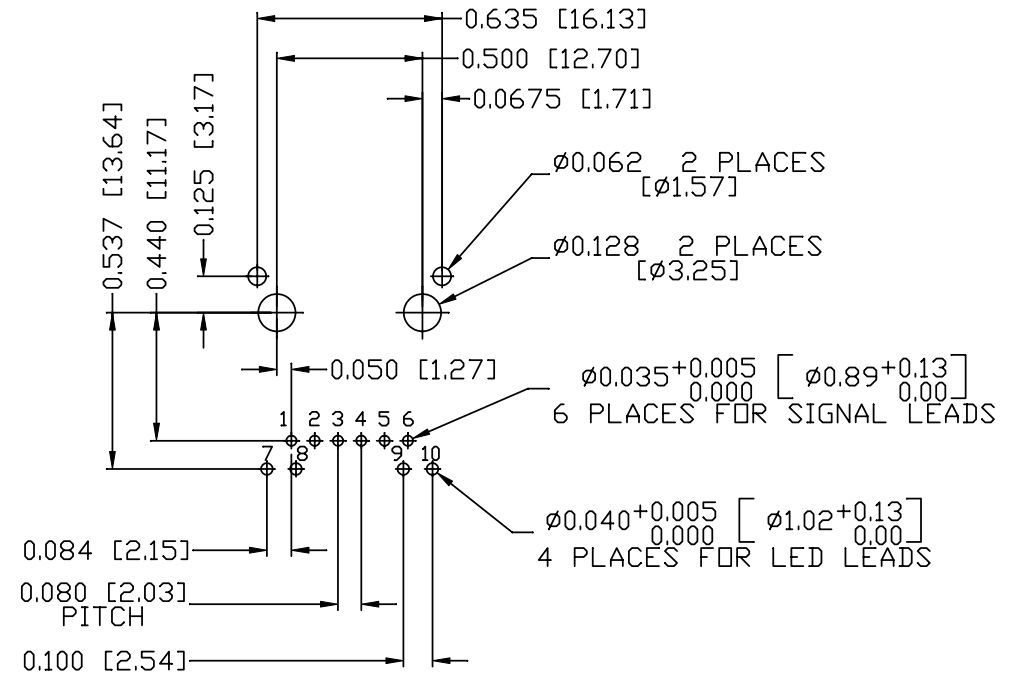


THE INFORMATION CONTAINED HEREIN IS CONSIDERED "PROPRIETARY" TO BEL FUSE INC. AND SHALL NOT BE COPIED, REPRODUCED OR DISCLOSED WITHOUT THE WRITTEN APPROVAL OF BEL FUSE INC.

RoHS



RECOMMENDED PCB FOOTPRINT  
COMPONENT SIDE VIEW



NOTES:

THE SHADED AREA ON THE CUSTOMER BOARD ARE RECOMMENDED TO BE CLEAR OFF ANY VIA HOLE OR COMPONENT PAD.

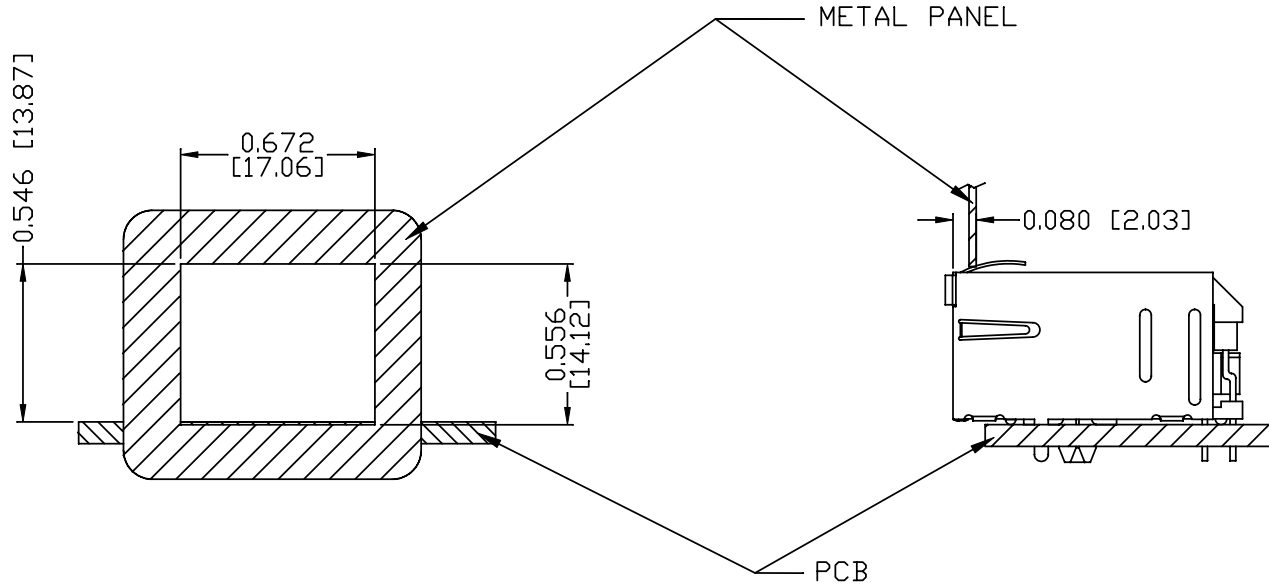
ORIGINATED BY ANTON LIAO	DATE 2013-10-11	TITLE MagJack® (4 Cores, MDIX, CM Termination) Extended temperature 08B0-1X1T-36-F PATENTED	PART NO. / DRAWING NO. 08B01X1T36-F	STANDARD DIM. TOL. IN INCH		[ ] METRIC DIM. AS REFERENCE		 COMPONENTS FOR A CONNECTED PLANET
				.X		UNIT : INCH [mm]	REV. : C	
DRAWN BY LIU DONGJUN	DATE 2013-10-11		FILE NAME 08B01X1T36-F_C.DWG	.XX		SCALE : N/A	SIZE : A4	PAGE : 4
				.XXX	±0.004			

THE INFORMATION CONTAINED HEREIN IS CONSIDERED "PROPRIETARY" TO BEL FUSE INC. AND SHALL NOT BE COPIED, REPRODUCED OR DISCLOSED WITHOUT THE WRITTEN APPROVAL OF BEL FUSE INC.

RoHS



SUGGESTED PANEL OPENING



NOTE:

THE DISTANCE OF PANEL INSIDE SURFACE RELATIVE TO FRONT SURFACE OF PART IS ONLY A SUGGESTION. IN CASE THIS DISTANCE IS DIFFERENT, THE REQUIRED PANEL OPENING DIMENSIONS CHANGE ACCORDINGLY.

PACKING INFORMATION

PACKING TRAY : 0200-9999-D4(TOP)

0200-9999-D5(BOTTOM)

PACKING QUANTITY : 60 PCS FINISHED GOODS PER TRAY

11 TRAYS (660 PCS FINISHED GOODS) PER CARTON BOX

NOTE : CARDBOARDS ARE PLACED BETWEEN LAYERS OF PACKING TRAY INSIDE CARTON BOX

(INCLUDE THE UPPERMOST AND LOWERMOST TRAY)

ORIGINATED BY ANTON LIAO	DATE 2013-10-11	TITLE MagJack® (4 Cores, MDIX, CM Termination) Extended temperature 08B0-1X1T-36-F PATENTED	PART NO. / DRAWING NO. 08B01X1T36-F	STANDARD DIM. TOL. IN INCH	[ ] METRIC DIM. AS REFERENCE	
					UNIT : INCH [mm]	REV. : C
DRAWN BY LIU DONGJUN	DATE 2013-10-11		FILE NAME 08B01X1T36-F_C.DWG	.X .XX .XXX	/	SCALE : N/A
						SIZE : A4
				±0.004	PAGE : 5	

