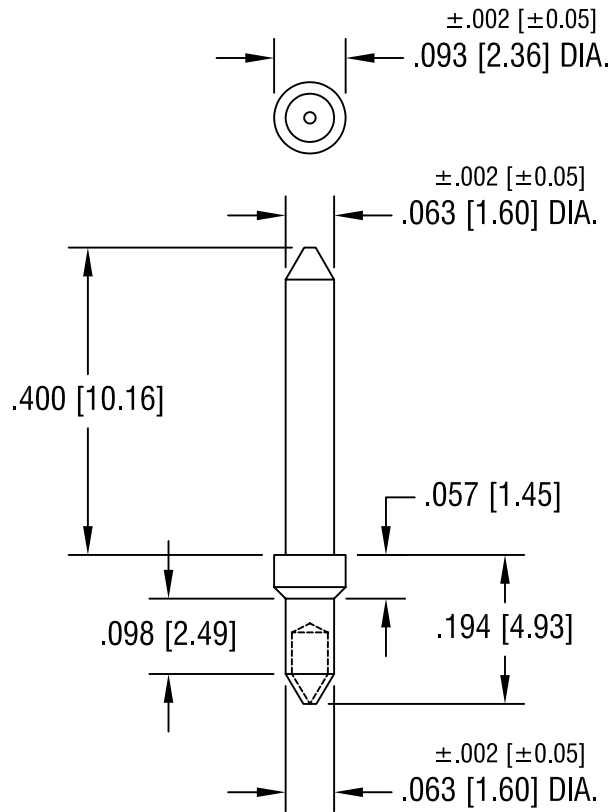


THIS DOCUMENT IS THE PROPERTY OF
KEYSTONE ELECTRONICS CORP. AND
SHALL NOT BE REPRODUCED, DISTRIBUTED
OR USED AS A BASIS FOR MANUFACTURE
WITHOUT PRIOR WRITTEN PERMISSION
FROM KEYSTONE ELECTRONICS CORP.



KEYSTONE ELECTRONICS CORP.

ASTORIA, N.Y. 11105-2017

PART NAME

HOLLOW POINT PIN, SWAGE MOUNT

MATERIAL

BRASS

FINISH

TIN PLATE

DRN BY

BOONE

DATE

2.8.08

APP'D

LN

SCALE

4X

6.28.08

CHANGE AS PER ECN 08-113

A

TOLERANCES

INCH [MM]

DECIMAL

± .005 [± 0.15]

ANGULAR

± 1°

UNLESS OTHERWISE SPECIFIED

CODE

C

DWG NO.

1363-2

DATE

DESCRIPTION

REV.