



4-channel analog input; For Pt100/RTD resistance sensors

Item No.: 750-460



4-channel analog input; For Pt100/RTD resistance sensors

Marking

RoHS ✓
Compliant

Business data

Supplier	WAGO
Item no.	750-460
GTIN / EAN	4045454848927
Content	1
Order amount	1
Customer item number	

Notes

Item description: The input module directly connects to Pt resistance sensors. Only 2-conductor sensors can be connected. The module automatically linearizes the entire temperature range. A sensor error is indicated by a red LED.

Technical data

Miscellaneous

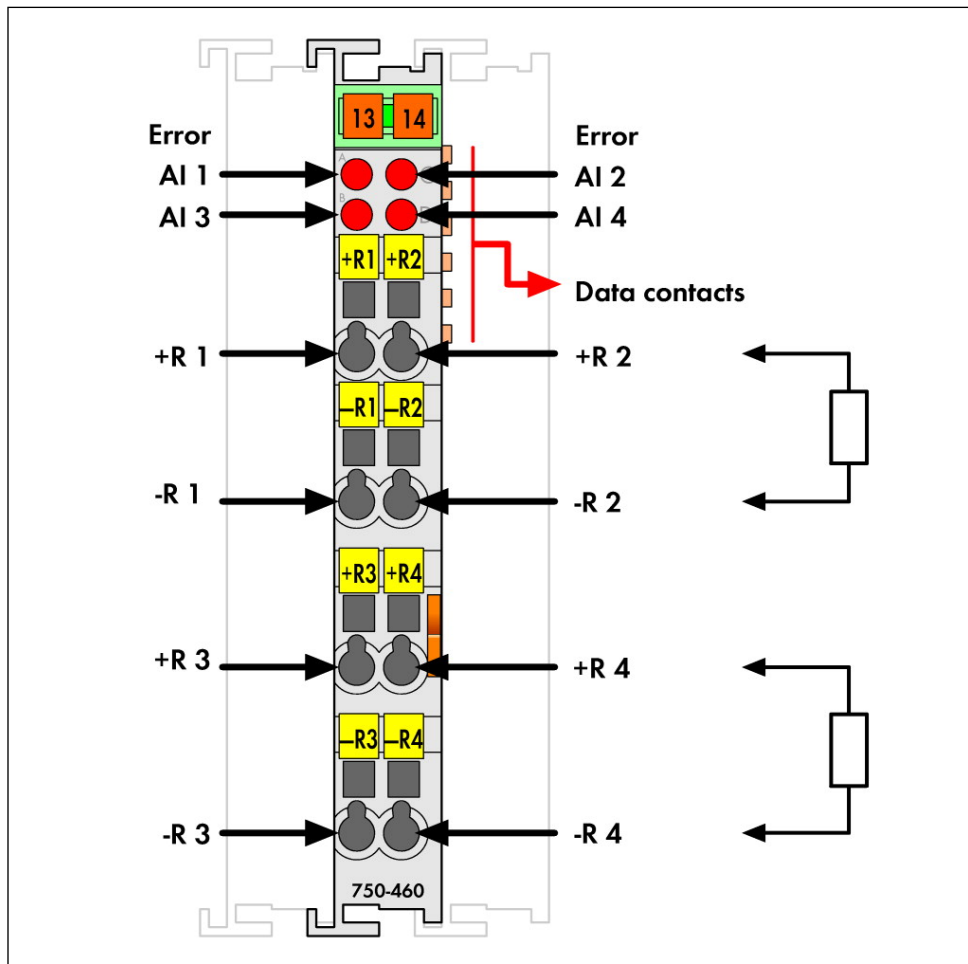
Packaging type	BOX
Number of analog inputs	4
Total number of channels (module)	4
Type of signal	Resistance measurement

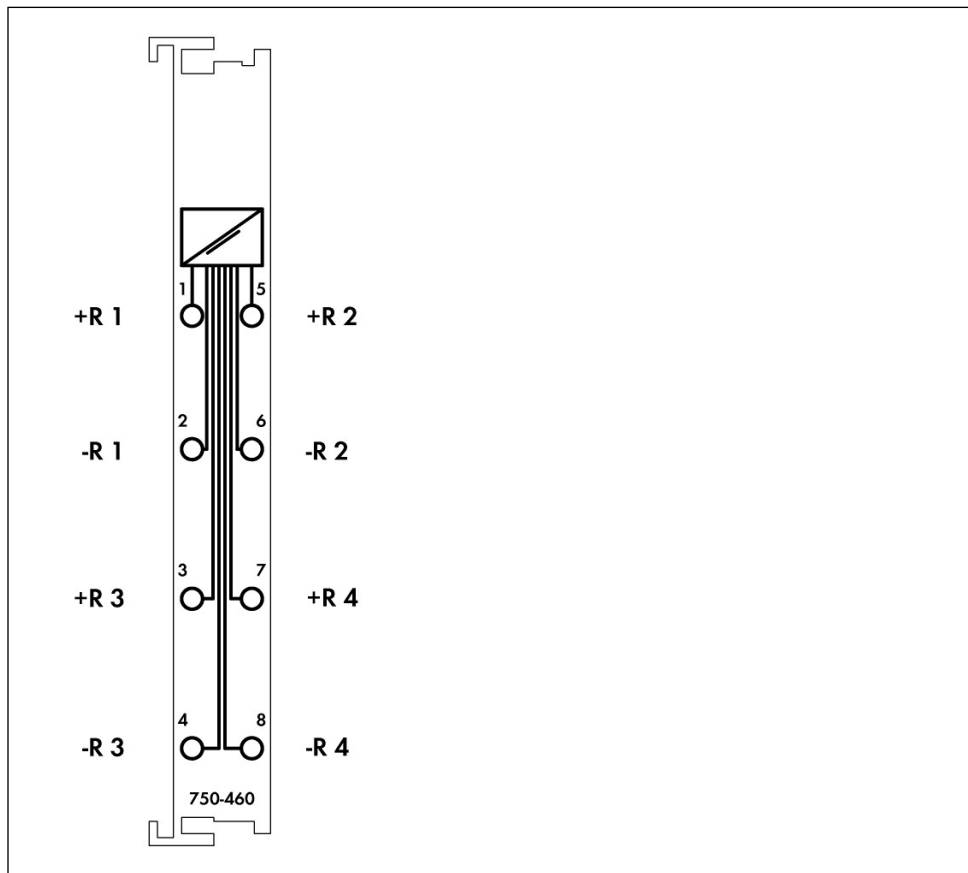
Technical data	
<i>Sensor connection</i>	4 x (2-conductor)
<i>Bit width</i>	4 x 16-bit data; 4 x 8-bit control/status (optional)
<i>Resolution (over entire range)</i>	0.1 °C
<i>Conversion time (typ.) [ms]</i>	250 [ms]
<i>Mess-/Ausgabefehler, Bezugstemperatur [°C]</i>	25 [°C]
<i>Mess-/Ausgabefehler, Abweichung [% of the full scale value]</i>	±0.2 [% of the full scale]
<i>Temperaturkoeffizient [%/K vom größten Messbereich]</i>	±0.01 [%/K vom größten Mess]
<i>Measuring current (typ.)</i>	0.5 mA
<i>Sensor types</i>	Pt100
<i>Temperature range</i>	-200 ... +850 °C
<i>System supply voltage</i>	DC 5 V; via data contacts
<i>Current consumption, system supply [mA]</i>	65 [mA]
<i>Isolation</i>	400 V system/supply
<i>Number of connections: Inputs/outputs</i>	8
<i>Connection technology: inputs/outputs</i>	CAGE CLAMP®
<i>Connection type (1)</i>	Ein-/Ausgänge
<i>Solid conductor</i>	0.08 ... 2.5 mm ² / 28 ... 14 AWG
<i>Fine-stranded conductor</i>	0.08 ... 2.5 mm ² / 28 ... 14 AWG
<i>Strip length</i>	8 ... 9 mm / 0.31 ... 0.35 Inch
<i>Width</i>	12 mm / 0.472 Inch
<i>Height</i>	69.8 mm / 2.748 Inch
<i>Height from upper-edge of DIN-35 rail</i>	62.6 mm / 2.465 Inch
<i>Depth</i>	100 mm / 3.937 Inch
<i>Type of mounting</i>	Carrier rail 35 x 15
<i>Color</i>	light gray
<i>Weight [g]</i>	51.8 [g]
<i>Conformity marking</i>	CE
<i>Ambient temperature (operation)</i>	0 ... 55 °C
<i>Ambient temperature (storage)</i>	-25 ... 85 °C
<i>Degree of protection</i>	IP20
<i>Relative air humidity (no condensation) [%]</i>	95 [%]
<i>Vibration resistance</i>	acc. to IEC 60068-2-6
<i>Shock resistance</i>	acc. to IEC 60068-2-27
<i>EMC immunity to interference</i>	acc. to EN 61000-6-2

Technical data	
<i>EMC emission of interference</i>	<i>acc. to EN 61000-6-4</i>
<i>Zulässige Schadstoffkonzentration H2S bei einer r</i>	<i>10 [ppm]</i>
<i>Zulässige Schadstoffkonzentration SO2 bei einer r</i>	<i>25 [ppm]</i>
<i>Product Family</i>	<i>750/753 Series I/O-System</i>
<i>Main product function</i>	<i>Analog input</i>
<i>Product type</i>	<i>Analog modules</i>

Images & drawings







Address

WAGO Kontakttechnik GmbH & Co. KG

Hansastr. 27

32423 Minden

Telefon: 0571/887-0

Fax: 0571/887-169

<http://www.wago.com>

© WAGO Kontakttechnik GmbH & Co. KG

Technische Änderungen und Irrtümer vorbehalten.