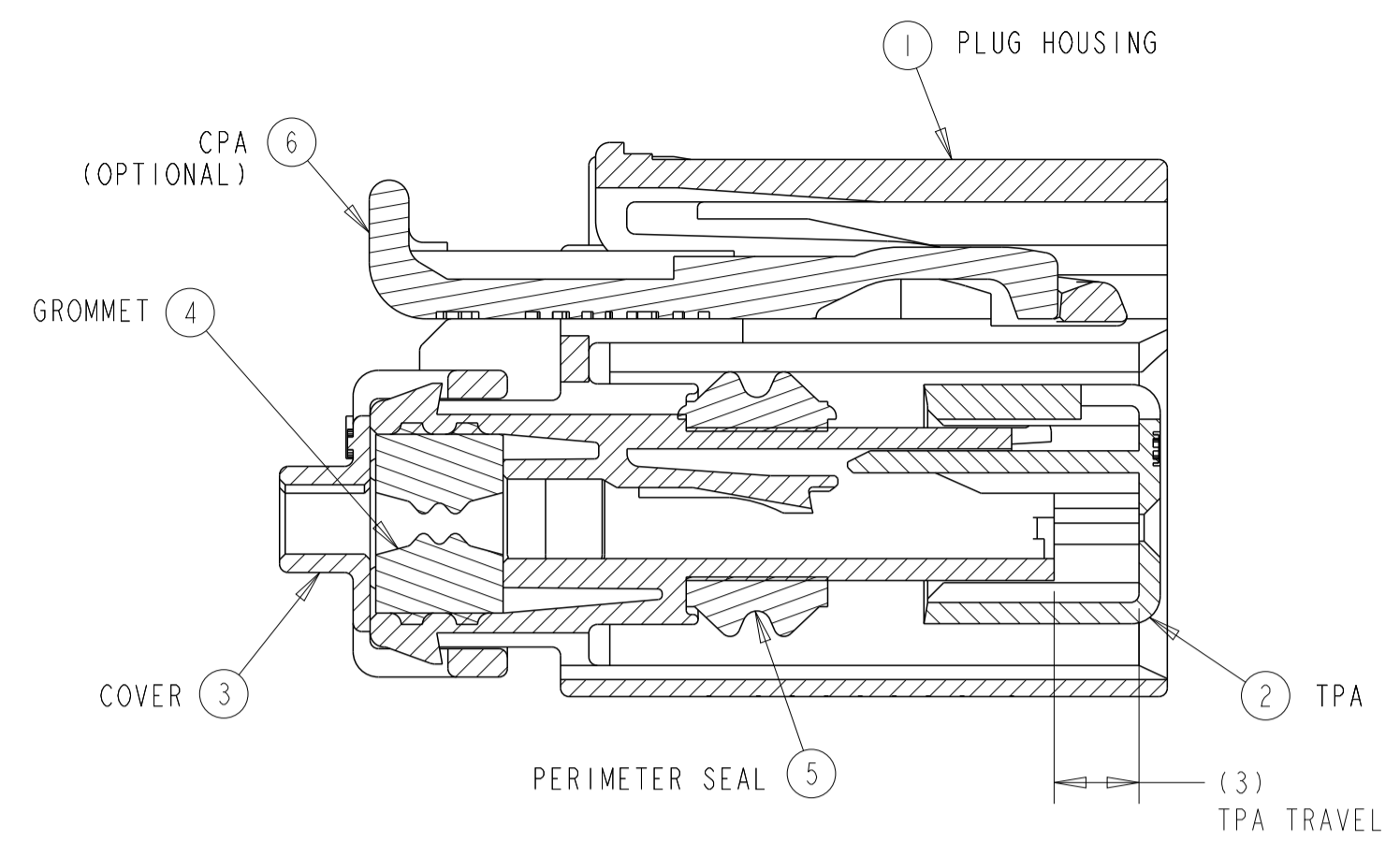
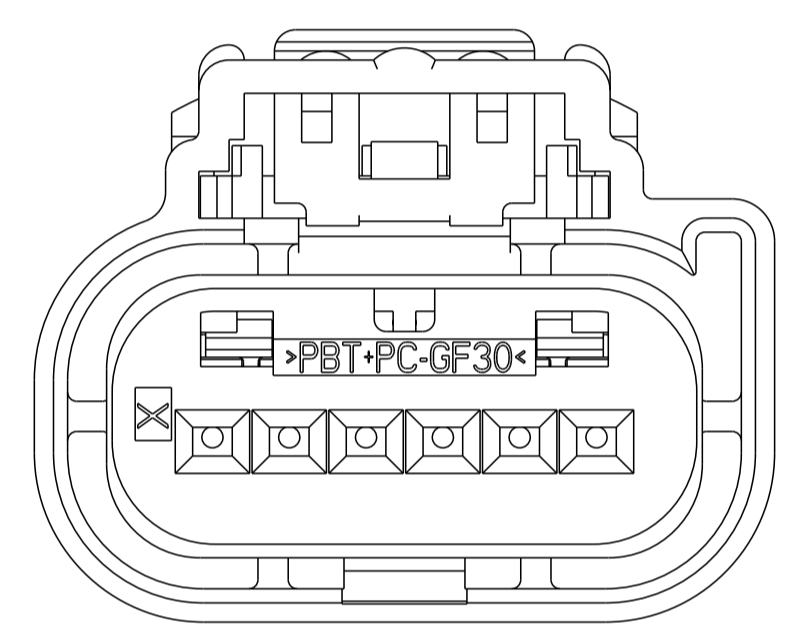
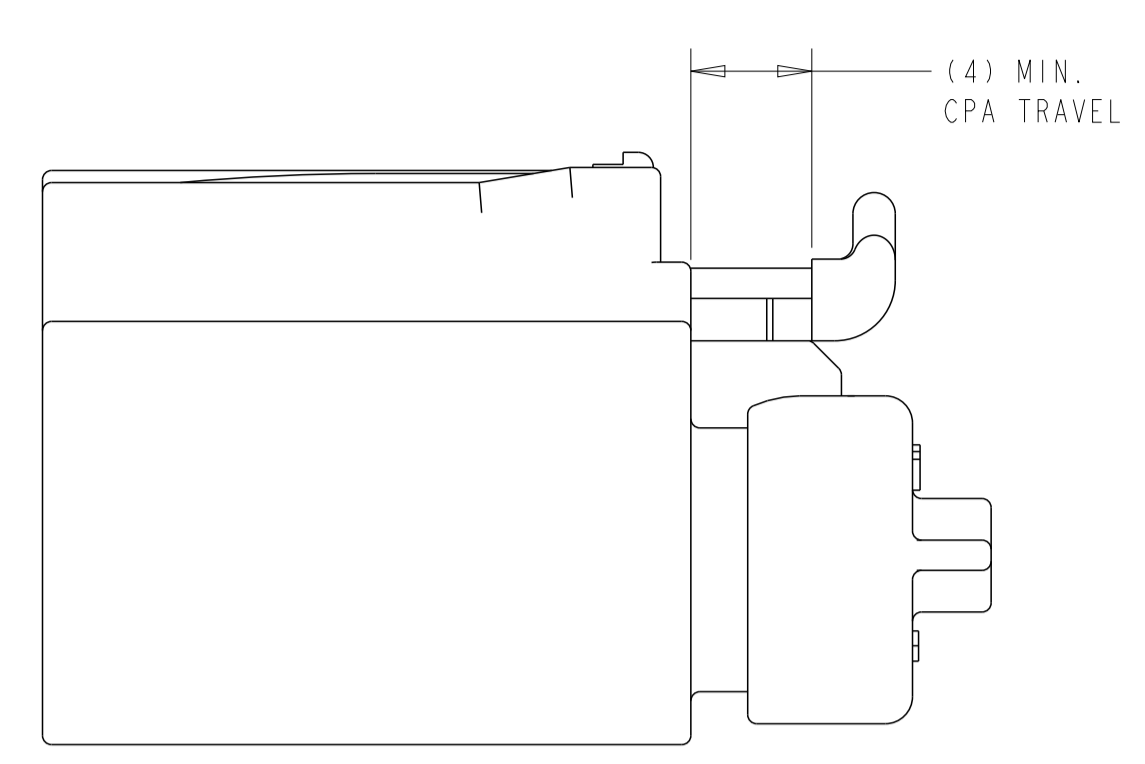
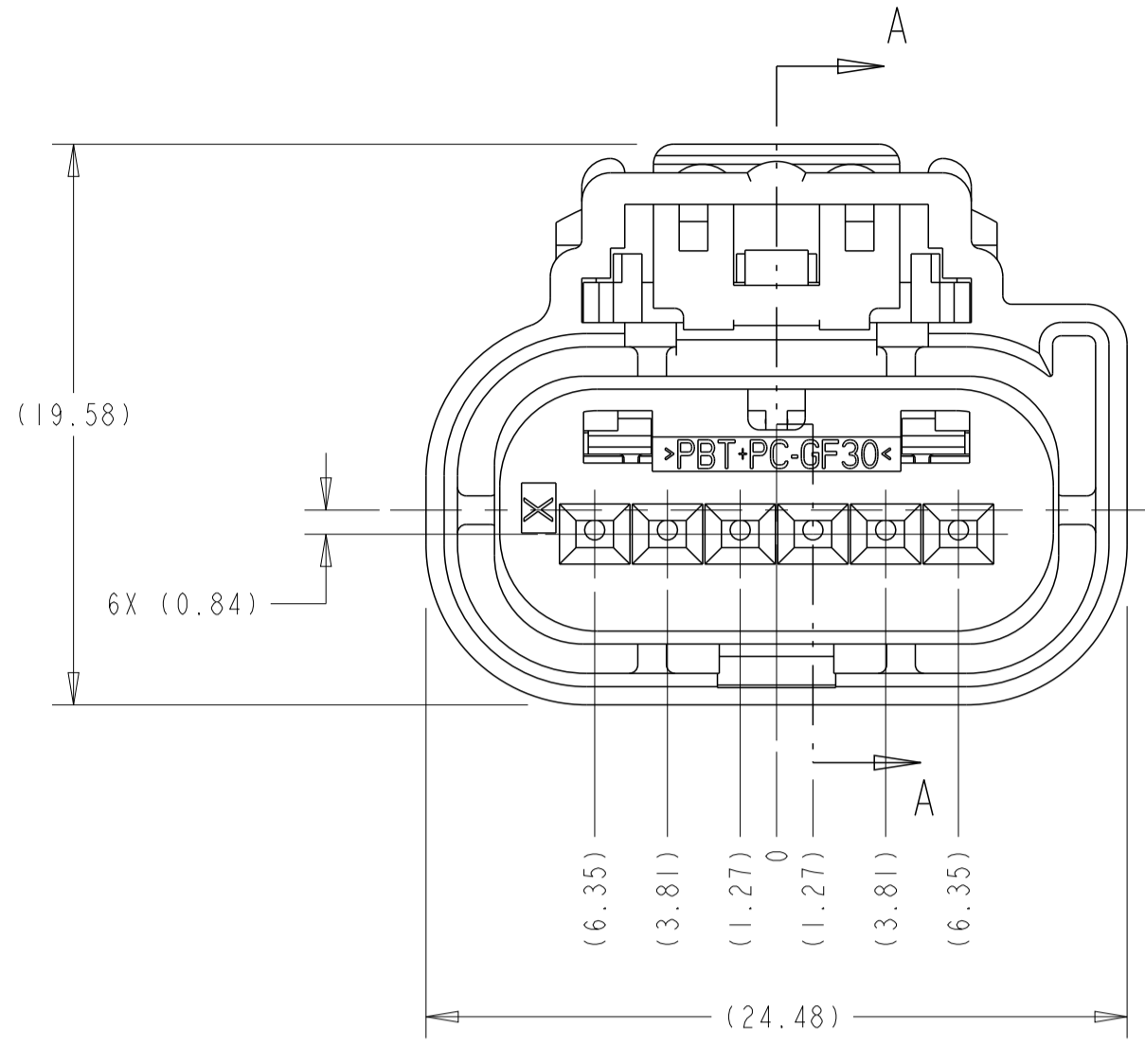


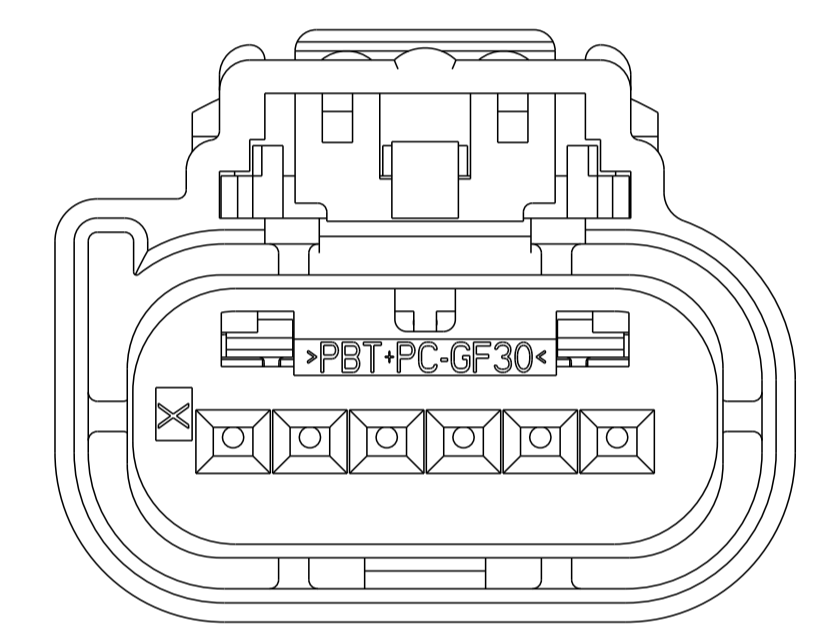
REVISIONS				
P.	LTN	DESCRIPTION	DATE	OWN APVD
V2		REVISED PER ECO-17-001035	25JAN2017	DLD DCM
V3		REVISED PER ECO-17-006269	04MAY2017	DLD DCM
V4		REVISED PER ECO-17-015846	02NOV2017	JMS CM
V5		REVISED PER ECO-20-012415	10SEP2020	AP CM



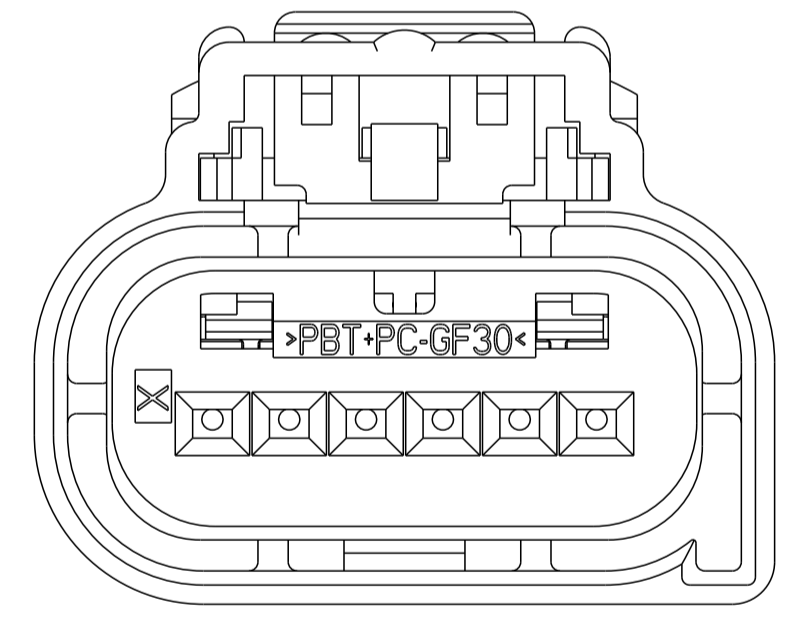
SECTION A-A
 SHOWN WITH TPA
 AND CPA (OPTIONAL) IN
 THEIR PRE-LOADED POSITION
 (DELIVERY CONDITION)



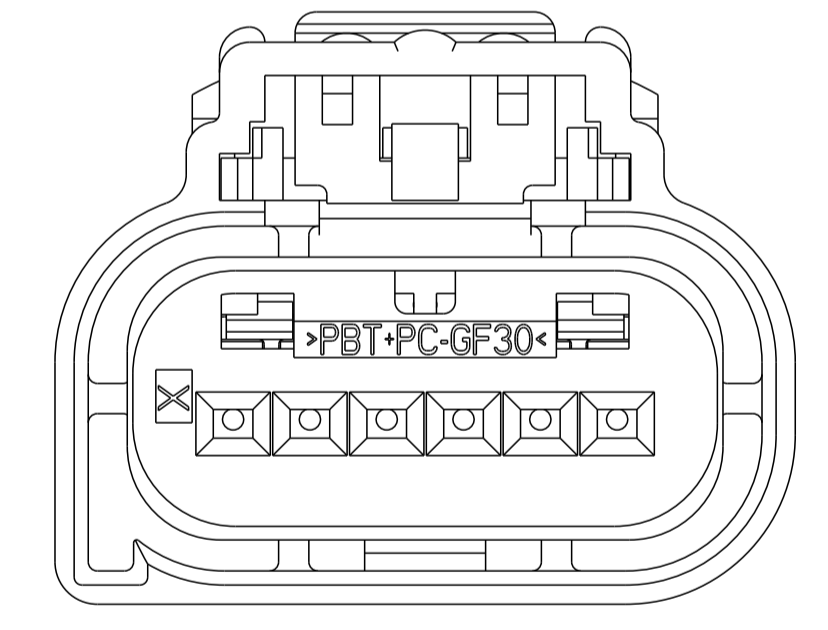
KEYING OPTION "A"



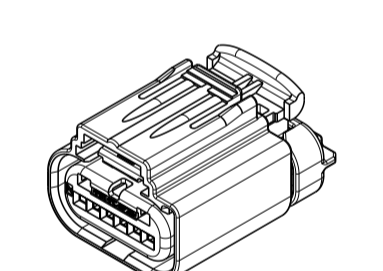
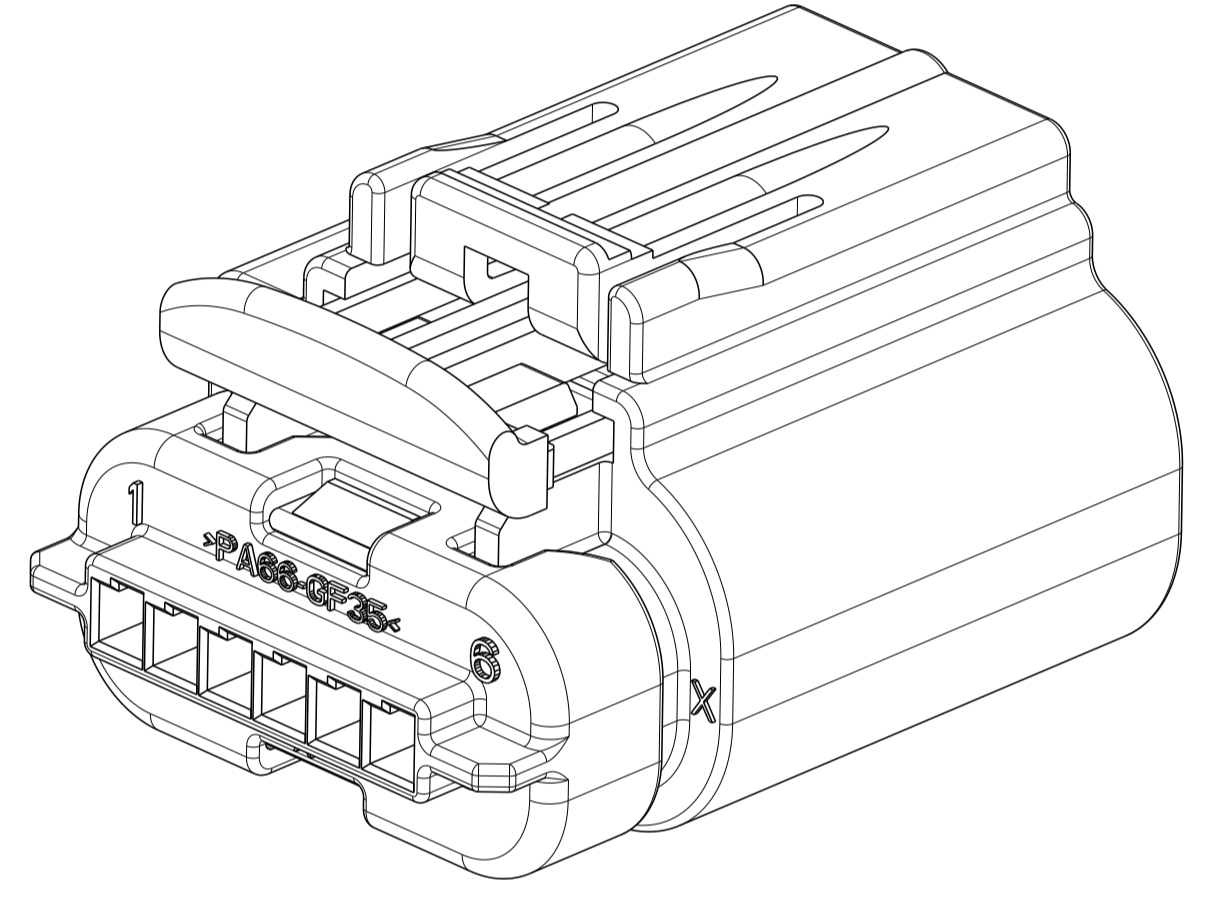
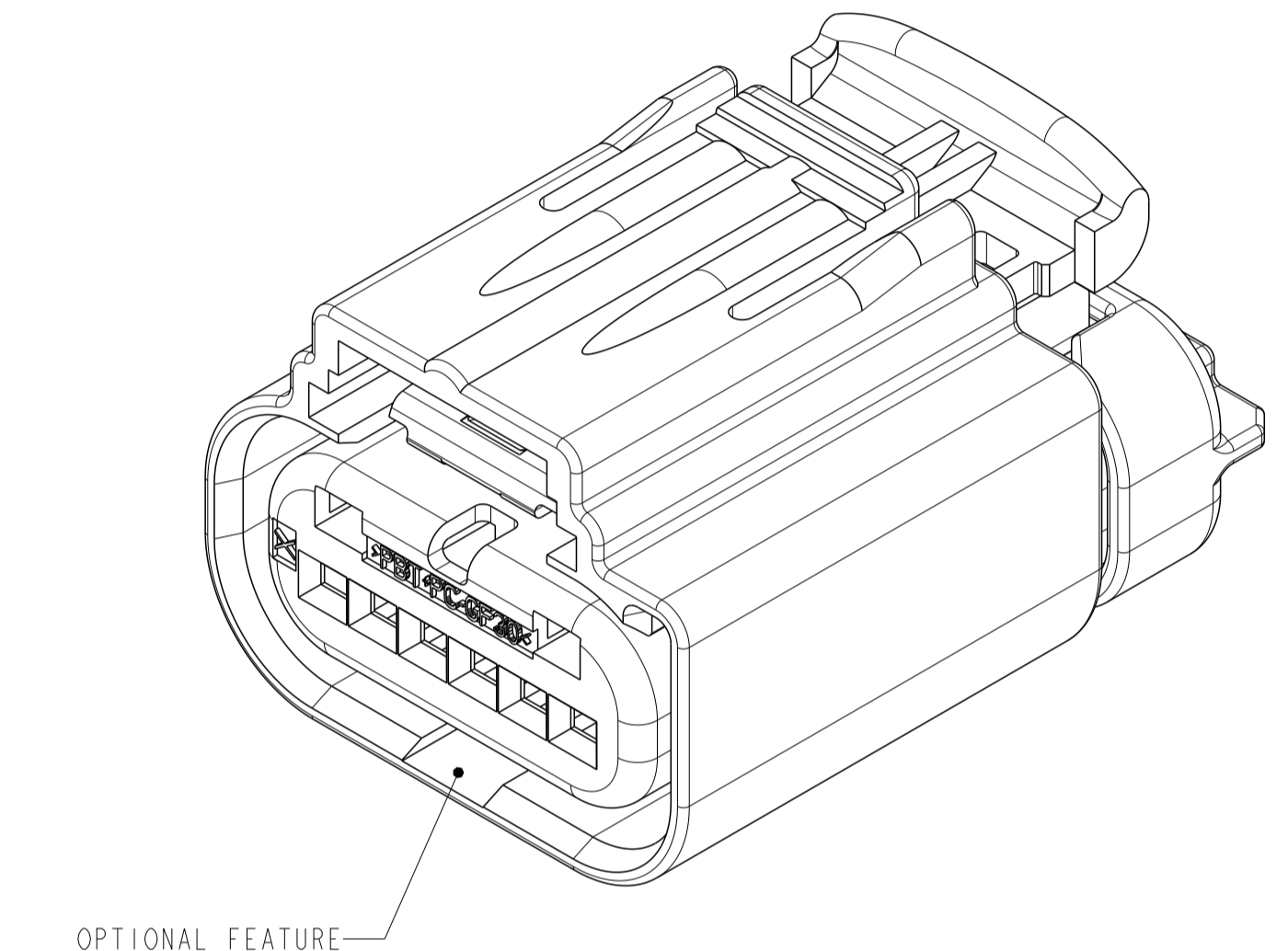
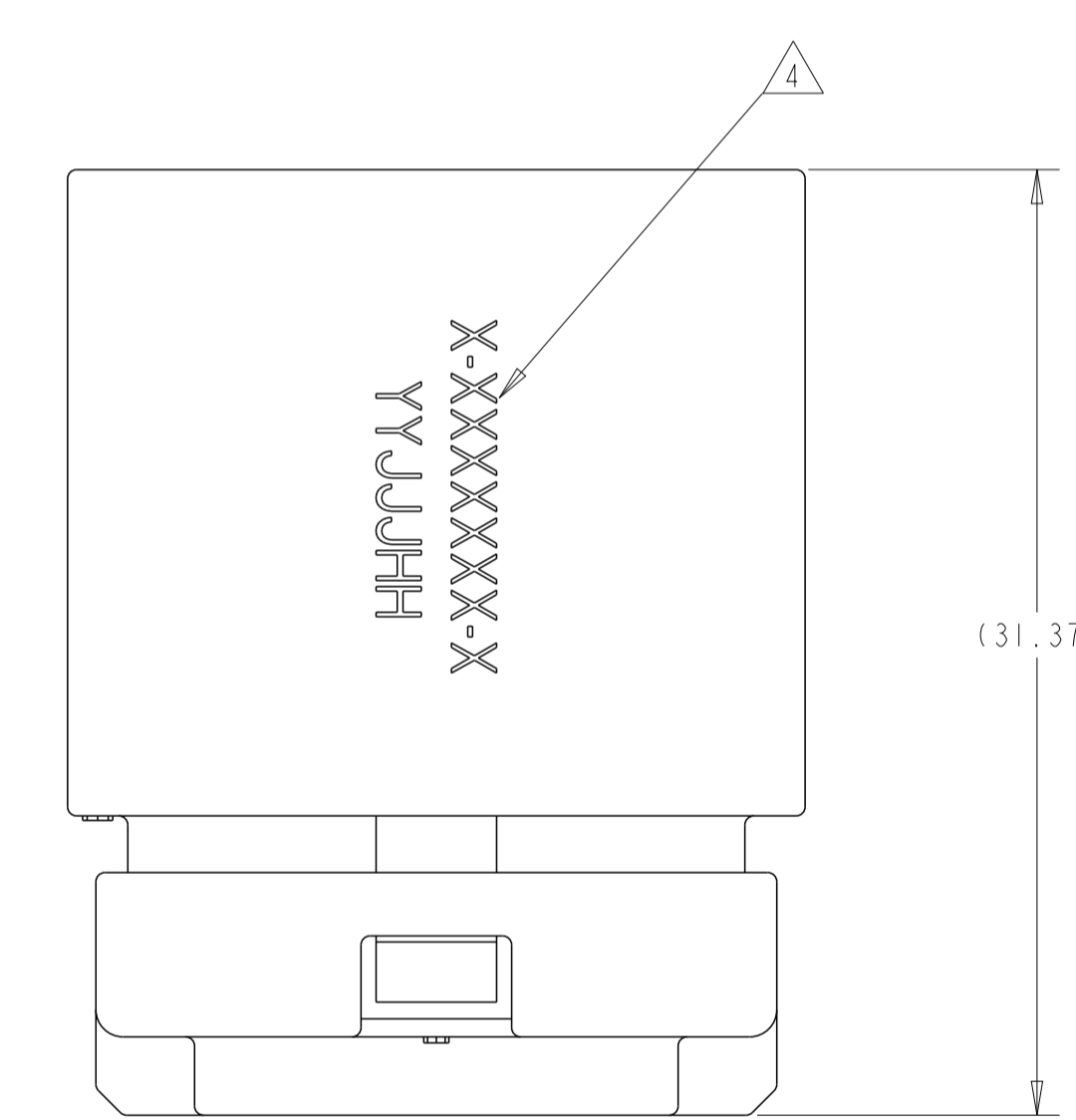
KEYING OPTION "B"



KEYING OPTION "C"



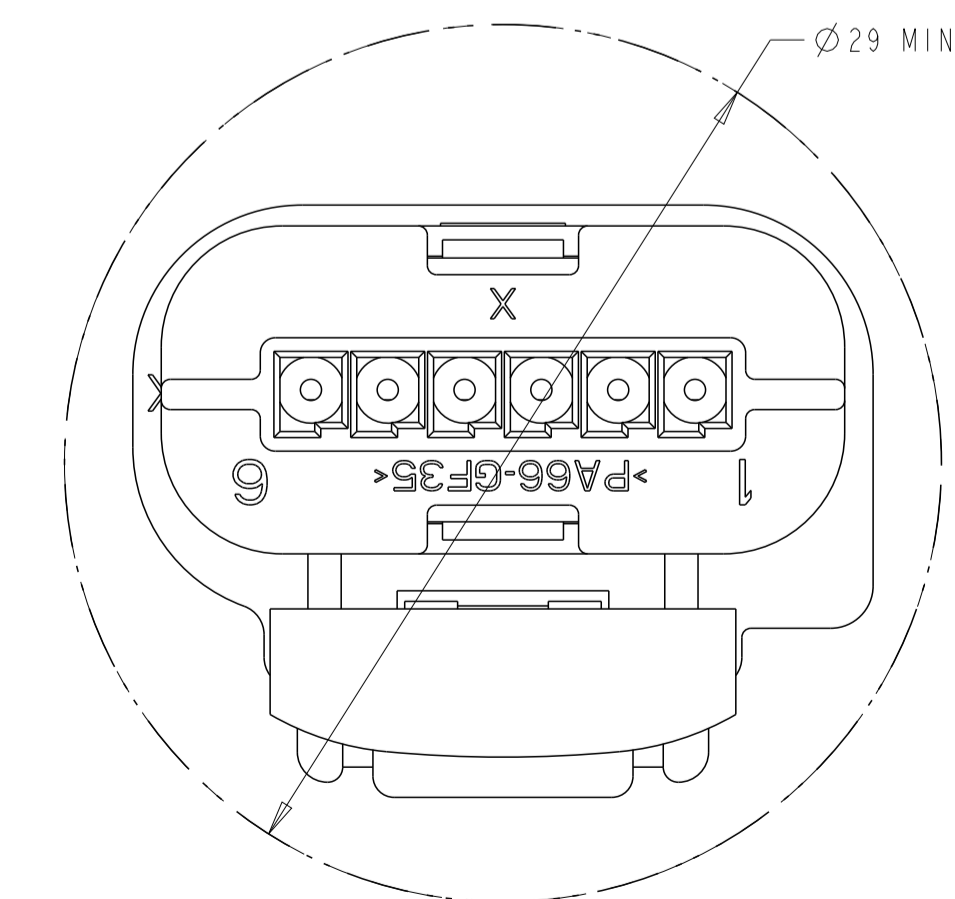
KEYING OPTION "D"



SCALE 1:1

KEYING OPTION "A" SHOWN
 SEE NOTE 5 FOR APPLICABLE HEADER
 INTERFACE INFORMATION

- APPLICABLE TERMINAL PART NUMBERS (SOLD SEPARATELY):
 FOR TIN APPLICATIONS: 1393367 AND 1393366.
 FOR GOLD APPLICATIONS: 1393365 AND 1393364.
 FOR TERMINATION AND REELING OPTIONS
 SEE DRAWINGS 1393367, 1393366, 1393365, AND 1393364.
- COMPATIBLE WIRE SIZES FOR MAT SEAL DESIGN 1.19 TO 2.06 O.D.
 (22-18 AWG, 0.35-0.75 mm²)
- TPA IS SHIPPED IN PRE-LOADED POSITION. SOME TPA'S MAY BECOME FULLY SEATED DURING SHIPPING. USE TE CONNECTIVITY INSTRUCTION SHEET 408-10128 TO REPOSITION TPA TO IT'S PRE-LOADED POSITION.
- TE CONNECTIVITY ASSEMBLY PART NUMBER (X-XXXXXX-X) AND TRACEABILITY CODE (YY = TWO DIGIT YEAR, JJJ = JULIAN DAY, HH = TWO DIGIT MILITARY HOUR) ARE PRINTED IN THIS LOCATION.
- APPLICABLE HEADER INTERFACE DRAWING 1438199 IS AVAILABLE UPON REQUEST. A COPY OF THIS DRAWING CAN BE OBTAINED FROM THE TE CONNECTIVITY PRODUCT MANAGER, VIA YOUR TE CONNECTIVITY SALES REPRESENTATIVE OR CUSTOMER SERVICE.
- ASSEMBLIES ARE BULK PACKAGED.
- OPTIONAL CPA IS SHIPPED IN IT'S PRE-LOADED POSITION.
- OBsolete PART



MINIMUM FEED THROUGH CONDITION
 WITH 1mm CLEARANCE ALL AROUND

ITEM	DESCRIPTION	MATERIAL	COLOR
6	CPA	PBT-GF15	RED
5	PERIMETER SEAL	SILICONE	GREEN
4	GROMMET	SILICONE	BROWN
3	COVER	PA66-GF35	BLACK
2	TPA	PBT+PC-GF30	RED
	PLUG WITH KEYING OPTION "D"	PA66-GF35	BLACK
	PLUG WITH KEYING OPTION "C"	PA66-GF35	BLACK
	PLUG WITH KEYING OPTION "B"	PA66-GF35	BLACK
	PLUG WITH KEYING OPTION "A"	PA66-GF35	BLACK

ITEM	DESCRIPTION	MATERIAL	COLOR
1	CPA	PBT-GF15	RED
2	PERIMETER SEAL	SILICONE	GREEN
3	GROMMET	SILICONE	BROWN
4	COVER	PA66-GF35	BLACK
5	TPA	PBT+PC-GF30	RED
6	PLUG WITH KEYING OPTION "D"	PA66-GF35	BLACK
7	PLUG WITH KEYING OPTION "C"	PA66-GF35	BLACK
8	PLUG WITH KEYING OPTION "B"	PA66-GF35	BLACK
9	PLUG WITH KEYING OPTION "A"	PA66-GF35	BLACK

ITEM	DESCRIPTION	MATERIAL	COLOR
1	CPA	PBT-GF15	RED
2	PERIMETER SEAL	SILICONE	GREEN
3	GROMMET	SILICONE	BROWN
4	COVER	PA66-GF35	BLACK
5	TPA	PBT+PC-GF30	RED
6	PLUG WITH KEYING OPTION "D"	PA66-GF35	BLACK
7	PLUG WITH KEYING OPTION "C"	PA66-GF35	BLACK
8	PLUG WITH KEYING OPTION "B"	PA66-GF35	BLACK
9	PLUG WITH KEYING OPTION "A"	PA66-GF35	BLACK

ITEM	DESCRIPTION	MATERIAL	COLOR
1	CPA	PBT-GF15	RED
2	PERIMETER SEAL	SILICONE	GREEN
3	GROMMET	SILICONE	BROWN
4	COVER	PA66-GF35	BLACK
5	TPA	PBT+PC-GF30	RED
6	PLUG WITH KEYING OPTION "D"	PA66-GF35	BLACK
7	PLUG WITH KEYING OPTION "C"	PA66-GF35	BLACK
8	PLUG WITH KEYING OPTION "B"	PA66-GF35	BLACK
9	PLUG WITH KEYING OPTION "A"	PA66-GF35	BLACK

THIS DRAWING IS A CONTROLLED DOCUMENT.

OWN: M. FORLSKA 15OCT2001
 CHK: M. FORLSKA 15OCT2001
 APVD: A. SHUMAN 15OCT2001

TE Connectivity

NAME: I X 6 SEALED CONNECTOR HARNESS ASSEMBLY

SIZE: 114-13150
 WEIGHT: -
 CUSTOMER DRAWING

SCALE: 4:1 SHEET 1 OF 2 REV: V5

REVISIONS				
P	LTN	DESCRIPTION	DATE	APVD
-		SEE SHEET 1	-	-

6	5	4	3	2	1	TE CONNECTIVITY ASSEMBLY PART NUMBER	FORD PART NUMBER
						2-1438153-0	3L2T-14A464-BA-007
						1-1438153-9	---
						1-1438153-3	3L2T-14A464-BA-006
						1-1438153-2	3L2T-14A464-BA-005
						1-1438153-9	3L2T-14A464-BA-004
						1438153-8	3L2T-14A464-BA-003
						1438153-4	3L2T-14A464-BA-002
						1438153-1	3L2T-14A464-BA-001
						1-1419168-1	3L2T-14A464-BA-000
TERMINAL POSITIONS						TE CONNECTIVITY ASSEMBLY PART NUMBER	FORD PART NUMBER
CAVITIES WITH A NUMBER INDICATES CLOSED TERMINAL HOLE LOCATION							
BLANK CAVITIES INDICATES OPEN TERMINAL HOLE LOCATION							
KEY A, WITH CPA							

6	5	4	3	2	1	TE CONNECTIVITY ASSEMBLY PART NUMBER	FORD PART NUMBER
						2-1438153-1	3W4T-14A464-VA-008
						1-1438153-6	3W4T-14A464-VA-007
						1-1438153-5	3W4T-14A464-VA-006
						1-1438153-4	3W4T-14A464-VA-005
						1-1438153-1	3W4T-14A464-VA-004
						1-1438153-0	---
						1438153-6	3W4T-14A464-VA-003
						1438153-5	3W4T-14A464-VA-002
						1438153-2	3W4T-14A464-VA-001
						1-1419168-2	3W4T-14A464-VA-000
TERMINAL POSITIONS						TE CONNECTIVITY ASSEMBLY PART NUMBER	FORD PART NUMBER
CAVITIES WITH A NUMBER INDICATES CLOSED TERMINAL HOLE LOCATION							
BLANK CAVITIES INDICATES OPEN TERMINAL HOLE LOCATION							
KEY B, WITH CPA							

6	5	4	3	2	1	TE CONNECTIVITY ASSEMBLY PART NUMBER	FORD PART NUMBER
						1-1438153-8	9U5T-14A464-GAA-003
						1-1438153-7	9U5T-14A464-GAA-002
						1-1419168-5	9U5T-14A464-GAA-001
						1-1419168-3	9U5T-14A464-GAA
TERMINAL POSITIONS						TE CONNECTIVITY ASSEMBLY PART NUMBER	FORD PART NUMBER
CAVITIES WITH A NUMBER INDICATES CLOSED TERMINAL HOLE LOCATION							
BLANK CAVITIES INDICATES OPEN TERMINAL HOLE LOCATION							
KEY C, WITH CPA							

6	5	4	3	2	1	TE CONNECTIVITY ASSEMBLY PART NUMBER	FORD PART NUMBER
						1438153-3	3L2T-14A464-GA-001
						1419168-7	3L2T-14A464-GA-000
TERMINAL POSITIONS						TE CONNECTIVITY ASSEMBLY PART NUMBER	FORD PART NUMBER
CAVITIES WITH A NUMBER INDICATES CLOSED TERMINAL HOLE LOCATION							
BLANK CAVITIES INDICATES OPEN TERMINAL HOLE LOCATION							
KEY A, NO CPA							

6	5	4	3	2	1	TE CONNECTIVITY ASSEMBLY PART NUMBER	FORD PART NUMBER
						1438153-7	4L5T-14A464-BA-001
						1419168-8	4L5T-14A464-BA-000
TERMINAL POSITIONS						TE CONNECTIVITY ASSEMBLY PART NUMBER	FORD PART NUMBER
CAVITIES WITH A NUMBER INDICATES CLOSED TERMINAL HOLE LOCATION							
BLANK CAVITIES INDICATES OPEN TERMINAL HOLE LOCATION							
KEY B, NO CPA							

6	5	4	3	2	1	TE CONNECTIVITY ASSEMBLY PART NUMBER	FORD PART NUMBER
						1419168-9	---
TERMINAL POSITIONS						TE CONNECTIVITY ASSEMBLY PART NUMBER	FORD PART NUMBER
CAVITIES WITH A NUMBER INDICATES CLOSED TERMINAL HOLE LOCATION							
BLANK CAVITIES INDICATES OPEN TERMINAL HOLE LOCATION							
KEY C, NO CPA							

6	5	4	3	2	1	TE CONNECTIVITY ASSEMBLY PART NUMBER	FORD PART NUMBER
						1-1419168-0	---
TERMINAL POSITIONS						TE CONNECTIVITY ASSEMBLY PART NUMBER	FORD PART NUMBER
CAVITIES WITH A NUMBER INDICATES CLOSED TERMINAL HOLE LOCATION							
BLANK CAVITIES INDICATES OPEN TERMINAL HOLE LOCATION							
KEY D, NO CPA							

PINOUT CHARTS

THIS DRAWING IS A CONTROLLED DOCUMENT.

DIMENSIONS:	TOLERANCES UNLESS OTHERWISE SPECIFIED:	OWN: M. FORISKA 15OCT2001	
mm	0 PLC ±.1 1 PLC ±0.3 2 PLC ±0.10 3 PLC ±. 4 PLC ±. ANGLES ±3° FINISH	CHK: M. FORISKA 15OCT2001	
MATERIAL:		APVD: A. SHUMAN 15OCT2001	NAME: 1 X 6 SEALED CONNECTOR HARNESS ASSEMBLY
		PRODUCT SPEC:	SIZE: A1
		APPLICATION SPEC:	CAGE CODE: 00779
		WEIGHT:	DRAWING NO: 1-1419168-1
		CUSTOMER DRAWING	RESTRICTED TO: -
		SCALE: 4:1	SHEET 2 OF 2
			REV: V5