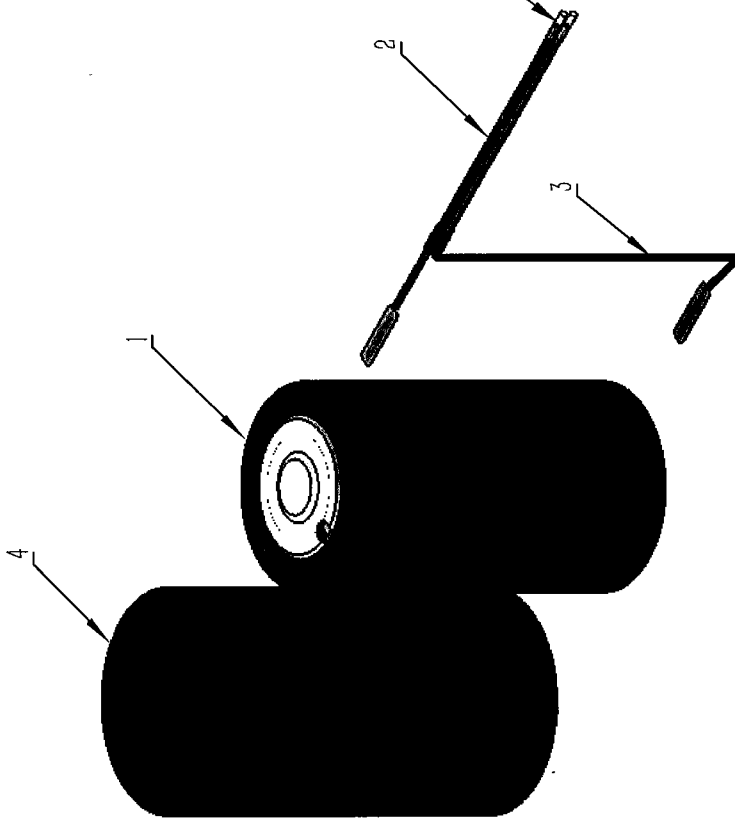
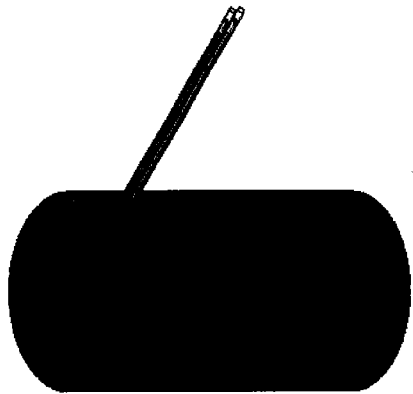
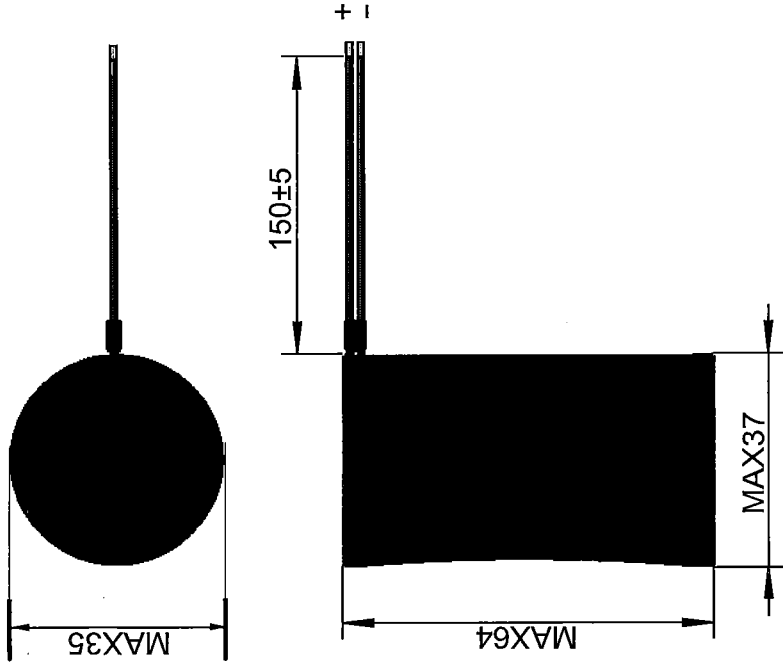


客户回签Customer signature	
公司名称 Company name	
批准人 Approved by	
签字(盖章)日期 Signature date	

sign	date	description of changes	to bear



**SOS**  
 SOS electronics s.r.o.  
 Pri prahem 116  
 040 W Kosice

4	Sleeve	PVC, orange	1
3	Cable	UL1007-24# black	1
2	Cable	UL1007-24# red	1
1	Cell	ER34615M	1
NO.	MATERIAL	SPECIFICATION	QTY

FANSO Wuhan FANSO Technology Co.,Ltd		drawing	
--------------------------------------	--	---------	--

Property of FANSO, copy is prohibited			
design	technique	P/N	version A0
drawing	quality	material	unit
audit	approval	drawing number	mm
standard	date	technical status	view direction
	2024.06.25	C	1:1
		scale	page 1 of 1

Printing: 46.8Wh 13Ah YYMMDD

Technical Requirement:

Open circuit voltage  $\geq 3.64V$ , Load voltage  $8.2\Omega \geq 3.20V$

tolerance	X :±0.3
	X.X :±0.2
	X.XX :±0.1
	angle :±0.5°