

1

2

3

4

A

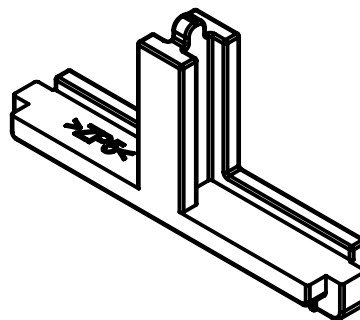
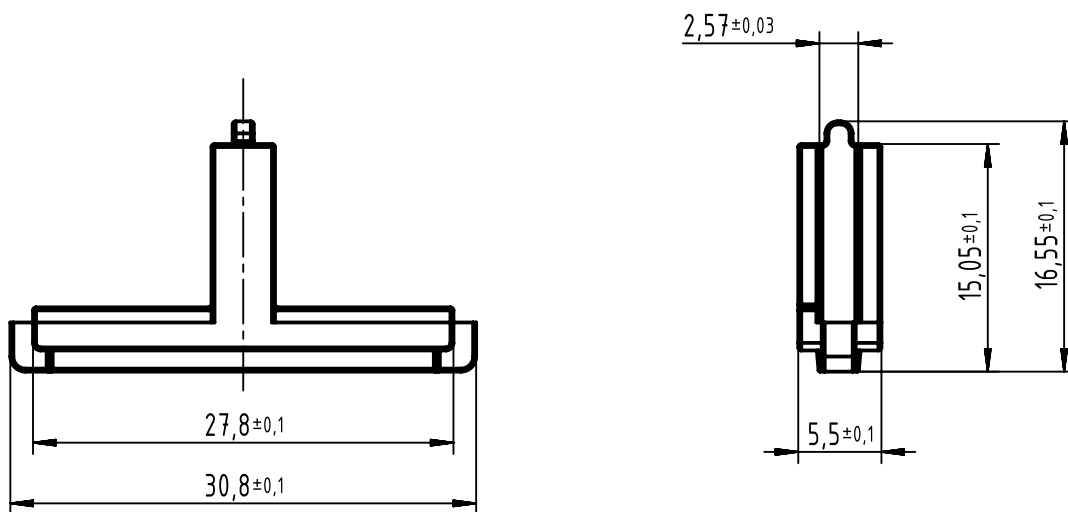
B

C

D

E

F



packaging quantity: 50 pieces



All Dimensions in mm
Original Size DIN A4

Scale
2:1

Free size tol.

Ref.

Sub.



All rights reserved

Department EL PD

Created by
TADJE

Inspected by
LEHNERT

Standardisation
KOHLER

Date
2019-05-20

State
Final Release

Title
DIN Power crimp flange insert

Doc-Key / ECM-Nr.
100083453/UGD/006/B
500000152338

HARTING Electronics GmbH

D-32339 Espelkamp

Type
TB

Number
09068009952

Rev.
B

Page
1/1