

Apacer

The Most **Reliable**
Storage For Industries

SH250-M280



SH250-M280

Overview

Apacer's SH250-M280 is a well-balanced solid-state disk (SSD) drive with standard form factor and great performance. Designed in SATA 6.0 Gbps interface, the SSD is able to deliver exceptional read/write speed, making it the ideal companion for heavy-loading industrial or server operations.

SH250-M280 utilizes 3D NAND for higher capacity up to 320GB and provides more power efficiency than 2D NAND. Appearing in M.2 2280 mechanical dimensions, SH250-M280 is believed to be the leading add-in storage solution for future host computing systems.

With Apacer's SLC-liteX technology, SH250-M280 performs with higher number of P/E cycles up to 30,000 times. Regarding reliability, SH250-M280 is implemented with LDPC (Low Density Parity Check) ECC engine to extend SSD endurance and increase data reliability while reading raw data inside a flash chip. In addition, the drive comes with various implementations including powerful hardware ECC engine, power saving modes, Wear Leveling, flash block management, S.M.A.R.T., TRIM and DataDefender™.

In terms of security, Advanced Encryption Standard (AES) ensures data security and provide users with a peace of mind knowing their data is safeguarded against unauthorized use at all times. Furthermore, with End-to-End Data Protection, data integrity can be assured at multiple points in the path to enable reliable delivery of data transfers.

Feature

- Adopts advanced LDPC ECC engine with 3D NAND SLC-liteX technology to improve reliability
- Global Wear Leveling
- Supports SSDWidget S.M.A.R.T function
- End-to-End Data Protection
- TRIM Support
- Supports AES 256-bit encryption
- Supports DataDefender™ technology



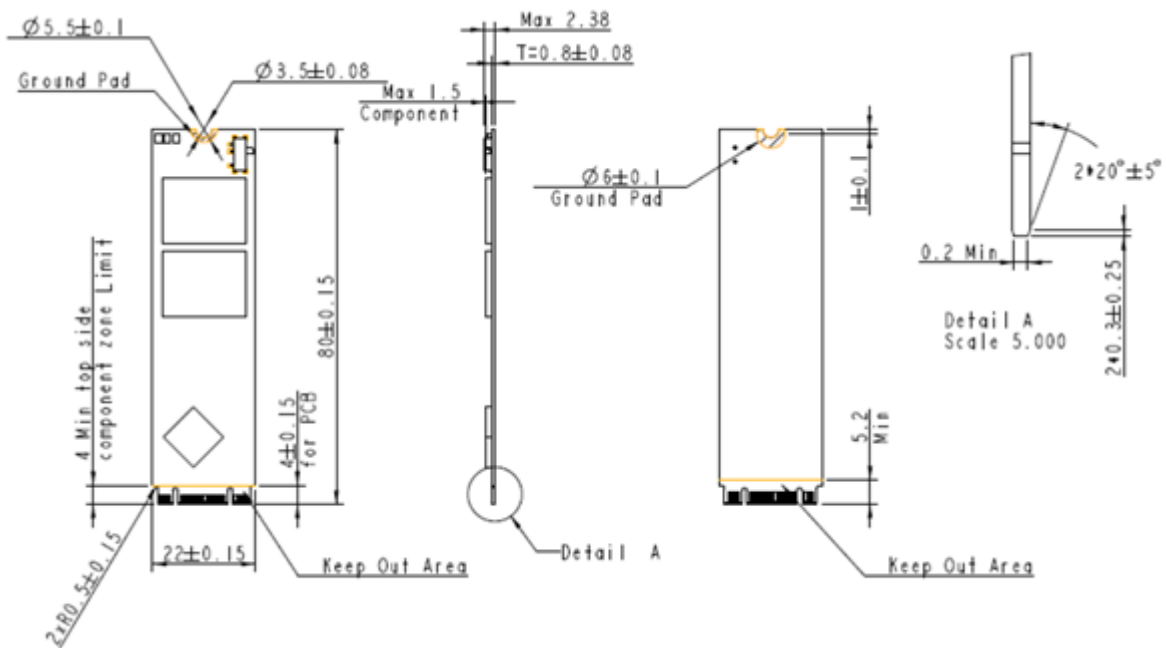
Specifications

Model	SH250-M280
Interface	SATA 3.2 (6Gb/s)
Connector	M.2 B & M key
Form Factor	M.2 2280-D5-B-M
NAND Flash Type	3D TLC
Capacity	10GB~320GB
External DRAM	No
Sustained Read Performance (MB/sec)	Up to 560
Sustained Write Performance (MB/sec)	Up to 520
ECC Engine	Low-Density Parity-Check (LDPC) Code
IOPS (4K Random Write)	74K
Standard Operating Temperature (°C)	0 ~ + 70
Extended Operating Temperature (°C)	-40 ~ + 85
Storage Temperature (°C)	-40 ~ + 100
Thermal Sensor	Yes
Shock	Operation: 50G/11ms Non-operation: 1500G/0.5ms (compliant with MIL-STD-883K)
Vibration	Operation: 7.69 Grms, 20~2000 Hz/random (compliant with MIL-STD-810G) Non-operation: 4.02 Grms, 15~2000 Hz/sine (compliant with MIL-STD-810G)
Operating Voltage	3.3 V ± 5%
Power Consumption	Active mode:480 mA / Idle mode: 65 mA
Dimension (L x W x H)	Single side: 80.00 mm x 22.00 mm x 2.38 mm Double side: 80.00 mm x 22.00 mm x 3.88 mm
MTBF (hours)	>1,000,000

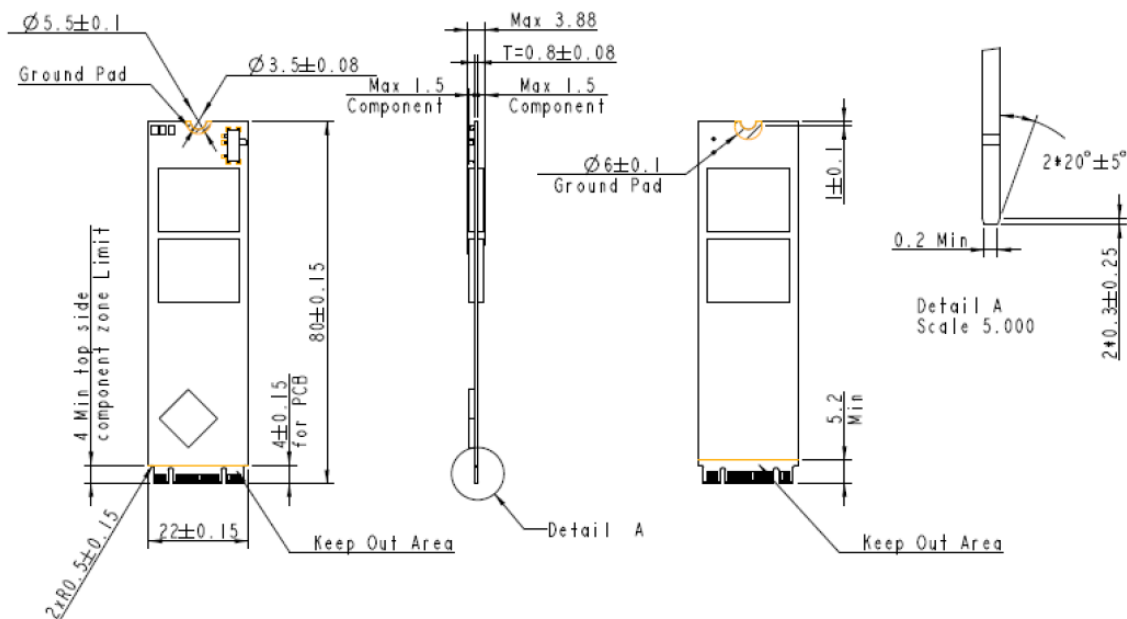
Mechanical Specification

BGA (120-960GB)

Single Side (120-480GB)

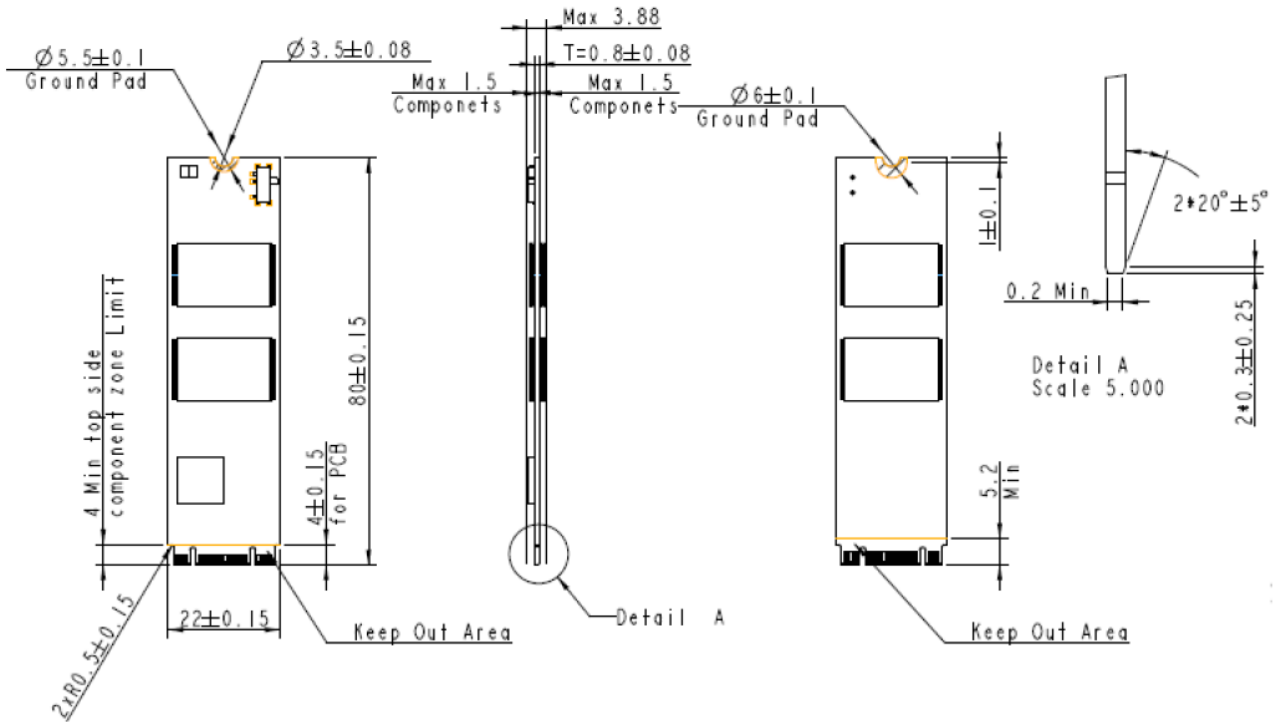


Double Side (960GB)



Mechanical Specification

TSOP Single Side (30-60GB)



Unit: mm

For more information,
contact your Apacer representative

Global Presence

Taiwan (Headquarters)
Apacer Technology Inc.
Tel: +886-2-2267-8000
Fax: +886-2-2267-2261

Europe
Apacer Technology B.V.
Tel: +31-40-267-0000
Fax: +31-40-290-0686

U.S.A.
Apacer Memory America, Inc.
Tel: +1-408-518-8699
Fax: 1-510-249-9551

China
Apacer Electronic(Shanghai)
Co., Ltd.
Tel: +86-21-6228-9939

Japan
Apacer Technology Corp.
Tel: +81-3-5419-2668
Fax: +81-3-5419-0018

India
Apacer Technologies Pvt. Ltd.
Tel: +91-80-41529061~3
Fax: +91-80-41700215