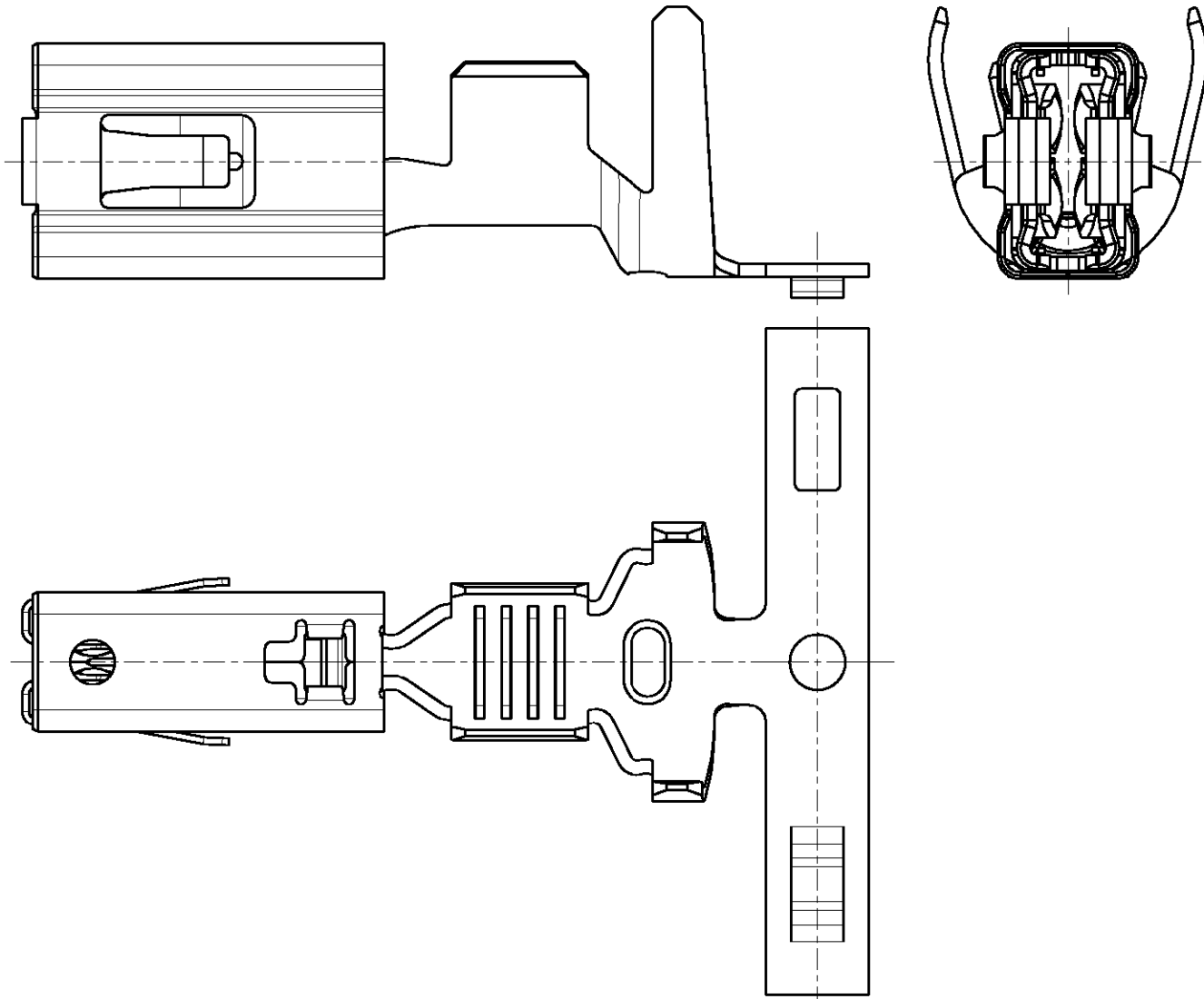



LOC	DIST	REVISIONS				
P	LTR	DESCRIPTION	DATE	DWN	APVD	
A1	-	A	NEW DRAWING	03DEC2001	R.M.	-



REFER TO PRODUCT GROUP DRAWING 1241438
FOR LATEST INFORMATION ON THE PART

Für aktuelle Information zum Teil wird auf die
Produkt - Gruppenzeichnung 1241438 hingewiesen

THIS DRAWING IS UNPUBLISHED. RELEASED FOR PUBLICATION 2001. BY TYCO ELECTRONICS CORPORATION. ALL RIGHTS RESERVED. © COPYRIGHT 2001

DIMENSIONS: MM	DWN	03DEC2001	MATERIAL	-	FINISH	-
	CHK	03DEC2001	 tyco Electronics AMP GmbH D - 64625 Bensheim			
TOLERANCES UNLESS OTHERWISE SPECIFIED:	R. Schäfer	APVD				
0 PLC ±	PRODUCT SPEC	-	NAME			
1 PLC ±	-	-	AMP MCP6.3/4.8K FLATCONTACT			
2 PLC ±	APPLICATION SPEC	-	AMP MCP6.3/4.8K Flachkontakt			
3 PLC ±	-	-	SIZE	CAGE CODE	DRAWING NO	RESTRICTED TO
4 PLC ±	WEIGHT	-	A 4	00779	©=1241416	-
ANGLES ±	CUSTOMER DRAWING		SCALE	5:1	SHEET 1 OF 1	REV A