

Data sheet

232-404/026-000

**ANGLED FEMALE PLUG 4 POLE
WITH CODIG FINGERS WITH INTEGRATED FIXING FLANGES CONDUCTOR EXIT
SAME DIRECTION AS LATCHES**



Technical data

Package size 100 pieces.

Pin spacing from	5.08 mm
Pin spacing from	0.2 in
pole count	4
Cross section from [mm ²]	0.08 mm ²
Cross section to [mm ²]	2.5 mm ²
Cross section from [AWG]	28 AWG
Cross section to [AWG]	12 AWG
Voltage UL	300 V
Voltage CSA	300 V
Current UL	15 A
Current CSA	15 A
Measured voltage EN	250 V
Measured shock voltage	4 kV
Pollution degree	3
Current intensity EN	14 A
Weight	7.66 g
Color	orange
No. of connection Points	4
No. of potentials	4
Height	19.9 mm
Height	0.783 in
Width	22.72 mm
Width	0.894 in

Data sheet**232-404/026-000****ANGLED FEMALE PLUG 4 POLE
WITH CODIG FINGERS WITH INTEGRATED FIXING FLANGES CONDUCTOR EXIT
SAME DIRECTION AS LATCHES**

Depth	22.75 mm
Depth	0.896 in
Strip length from	8 mm
Strip length to	9 mm
Strip length	0.33 in

xxx-xxx/033-000

Strain relief plate 20 mm

Data sheet

232-404/026-000

**ANGLED FEMALE PLUG 4 POLE
WITH CODIG FINGERS WITH INTEGRATED FIXING FLANGES CONDUCTOR EXIT
SAME DIRECTION AS LATCHES**

Approval	Voltage	Current	Approval number	Notes
BBJ	250	14	B/12/699/03	
BV	400	16	11915/A0	
CCA	250	14	DK2127	
CSA	300	15	154112-1465035	
CSA	300	15	18677-30	
CSM	500/250	14	017956	
DEMKO	250		88126	
GL	250	14	17296-00HH	
KEMA	250	14	98.2486.01	
KR	250/400	12/16	HMB05880-EL003	
LR	250	14	96/20035	
NEMKO	250		P94101840	
RMR	250	14	99.00007.250	
RosTesT	250	14	B09523	
UL	600	15	E45171	
UL	300	15	E45172	

Data sheet

232-404/026-000

**ANGLED FEMALE PLUG 4 POLE
WITH CODIG FINGERS WITH INTEGRATED FIXING FLANGES CONDUCTOR EXIT
SAME DIRECTION AS LATCHES**

Accessories

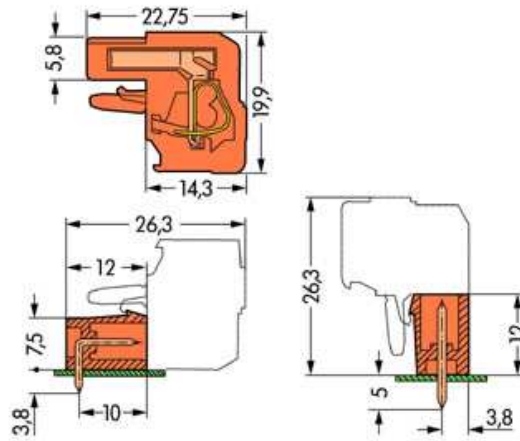
Item number

COMB TYPE JUMPER BAR FOR PIN SPACING 5MM / 0.197 IN AND 5.08 MM / 0.2 IN	231-902
ISULATION STOP 0.08 - 0.2 MM ² / 0.2 MM ² S	231-670
ISULATION STOP 0.25 - 0.5 MM ²	231-671
ISULATION STOP 0.75 - 1 MM ²	231-672
LOCKOUT CAPS FOE COVERING UNUSED CLAMPING UNITS	231-669
OPERATING STICKER FOR MULTI CONNECTION SYSTEM	210-199
OPERATING TOOL FOR FEMALE AND MALE CONNECTORS WITH CAGE CLAMP	210-250
OPERATING TOOL TO CONNECT JUMPERS	209-132
PUSH BUTTON FOR FEMALE CONNECTORS AND MALE CONNECTORS	231-131
SCREWDRIVER 3.5 X 0.5 MM / 0.137 X 0.019IN	210-257
SCREWDRIVER 3.5 X 0.5 MM / 0.137 X 0.019IN	210-258
SCREWDRIVER Type 2, bar (3,5 x 0,5) mm	210-120
SCREWDRIVER WITH PARTIALLY INSULATED SHAFT Type 2, bar (3,5 x 0,5) mm	210-620
SNAP-ON TYPE RELIEF HOUSING CONSISTING OF: STRAIN RELIEF SUPPORT/ HOUSING	232-634
TEST PLUG 2 MM / 0.079 IN WIDE	210-136
TEST PLUG 2.3 MM / 0.091 IN WIDE	210-137
TEST PLUG FOR FEMALE PLUGS FOR PIN SPACING 5MM / 0.197 IN AND 5.08 MM / 0.2 IN	231-661

Data sheet

232-404/026-000

**ANGLED FEMALE PLUG 4 POLE
WITH CODIG FINGERS WITH INTEGRATED FIXING FLANGES CONDUCTOR EXIT
SAME DIRECTION AS LATCHES**



Data sheet

232-404/026-000

**ANGLED FEMALE PLUG 4 POLE
WITH CODIG FINGERS WITH INTEGRATED FIXING FLANGES CONDUCTOR EXIT
SAME DIRECTION AS LATCHES**

$L = (\text{No. of poles} \times \text{pin spacing}) + 1,5 \text{ mm} + 0,9 \text{ mm}$