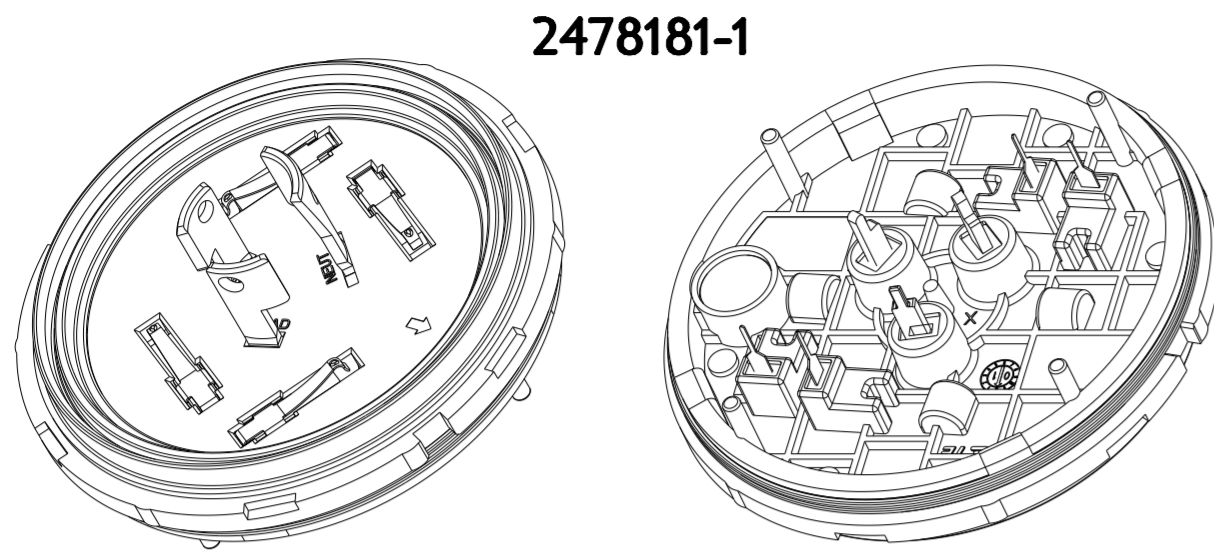
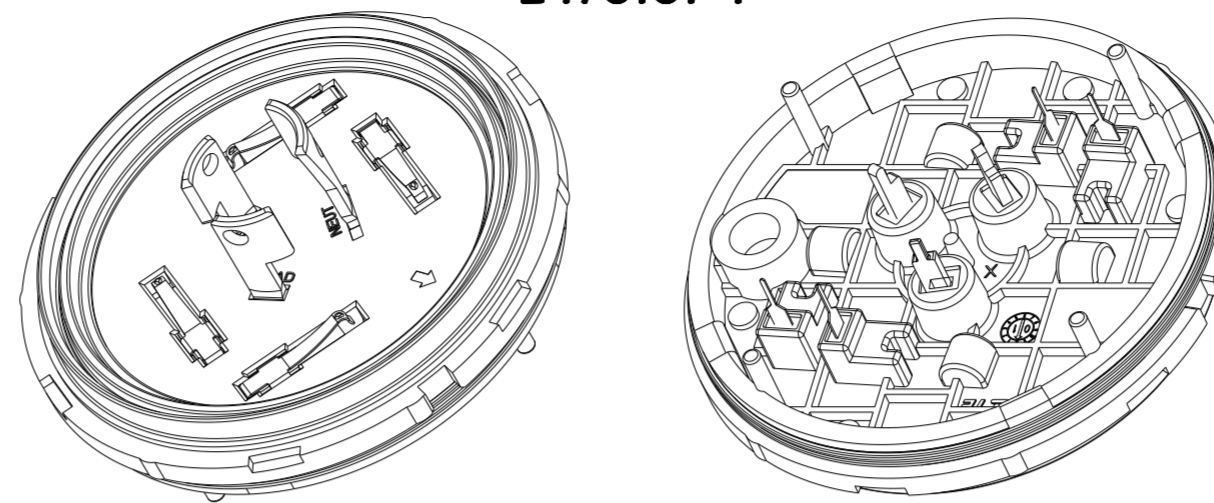


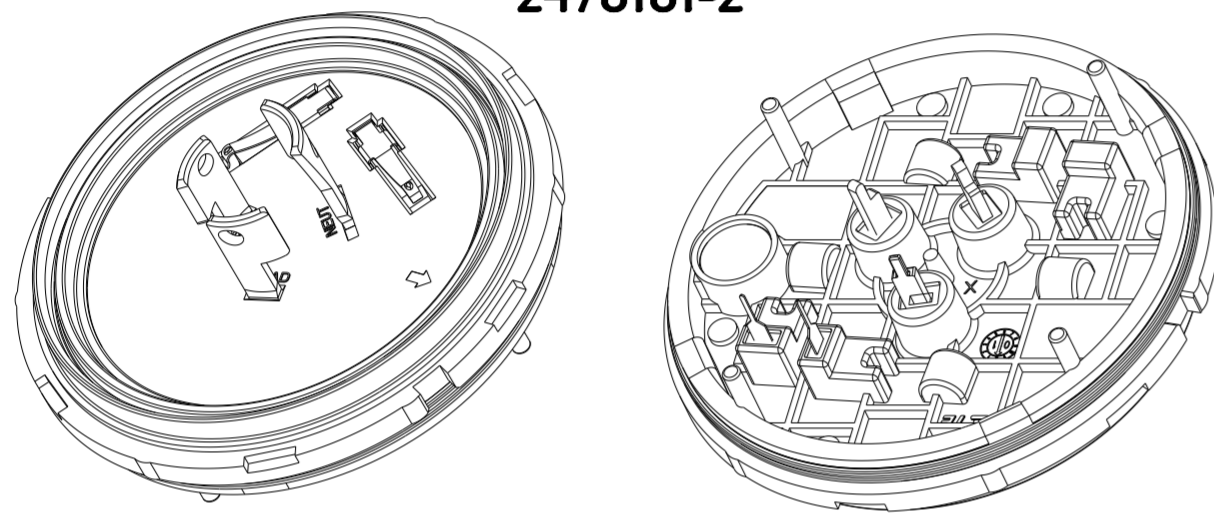
REVISIONS				
P	LTR	DESCRIPTION	DATE	APVD
A		GTP ECN-24-292302	06NOV2024	JPS MM



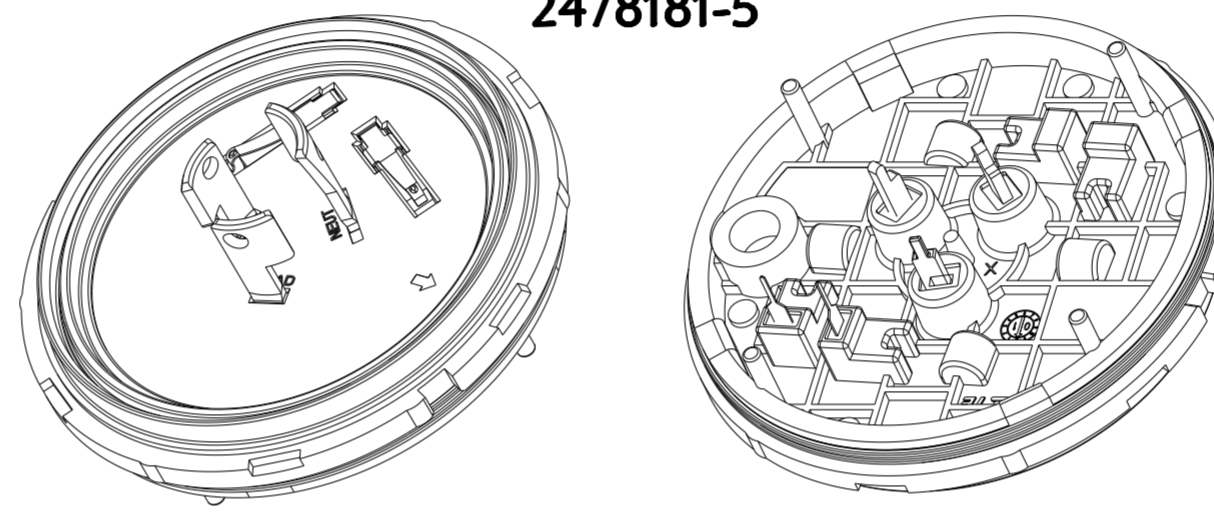
2478181-1



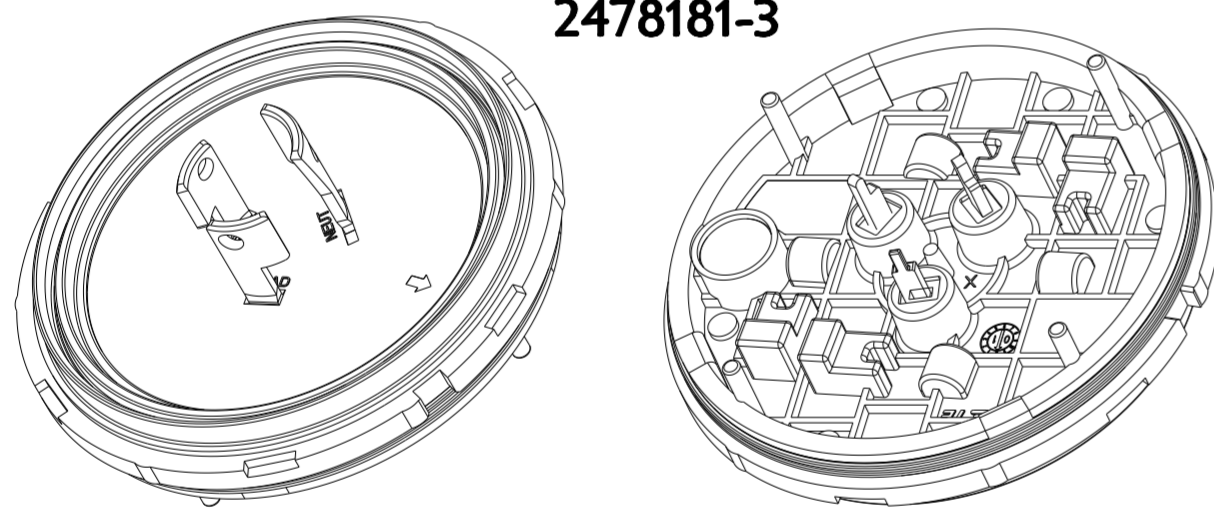
2478181-4



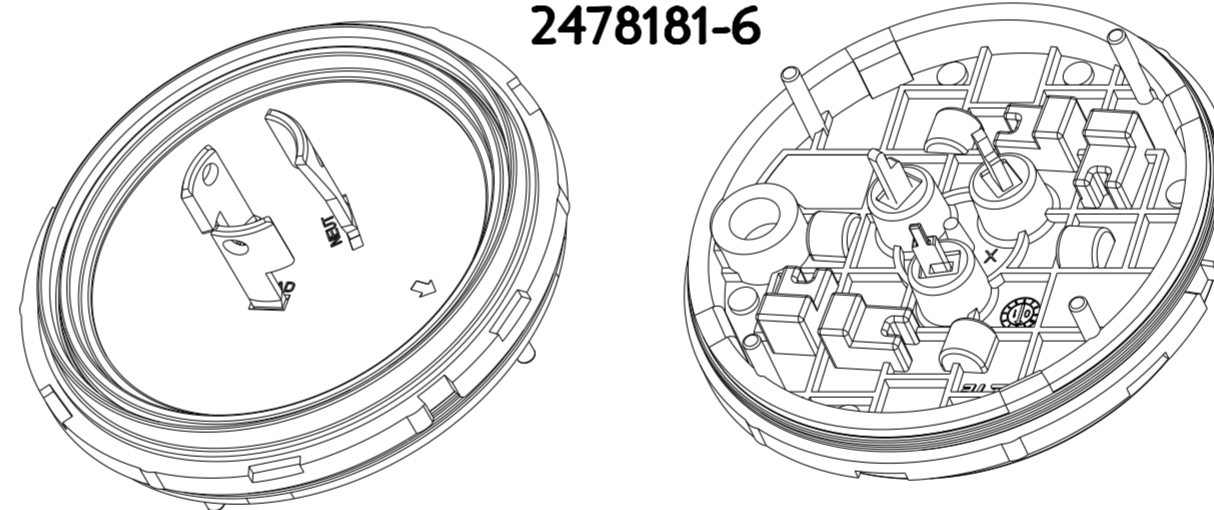
2478181-2



2478181-5



2478181-3



2478181-6

Ø 77.00	Ø 73.00	4.35	27.45	Ø 64.50	Ø 65.00	3 POS NO VENT	2468181-6
Ø 77.00	Ø 73.00	4.35	27.45	Ø 64.50	Ø 65.00	5 POS NO VENT	2468181-5
Ø 77.00	Ø 73.00	4.35	27.45	Ø 64.50	Ø 65.00	7 POS NO VENT	2468181-4
Ø 77.00	Ø 73.00	4.35	27.45	Ø 64.50	Ø 65.00	3 POS W/VENT	2468181-3
Ø 77.00	Ø 73.00	4.35	27.45	Ø 64.50	Ø 65.00	5 POS W/VENT	2468181-2
Ø 77.00	Ø 73.00	4.35	27.45	Ø 64.50	Ø 65.00	7 POS W/VENT	2468181-1
DIM Y DOME	DIM X DOME	DIM T PCB	DIM S PCB	DIM P PCB	DIM N PCB	CONTACT POSITIONS	PART NO.

1 MATERIALS:
 HOUSING: PBT-GF, COLOR BLACK
 DIMMING CONTACTS (QTY. 4): COPPER ALLOY
 LINE VOLTAGE CONTACTS (QTY. 3): COPPER ALLOY
 GASKET: TPE; COLOR:BLACK
 MEMBRANE VENT: PTFE

2 FINISH:
 DIMMING CONTACTS: NICKEL UNDERPLATE ENTIRE
 CONTACT 0.127 µm MIN THICK. SELECTIVE GOLD PLATE CONTACT
 MATING AREA (MATING FACE SIDE ONLY) 0.76 µm MIN THICK.
 MATTE TIN PLATE TAB ON BOTH SIDES 0.30 µm MIN THICK.
 LINE VOLTAGE CONTACTS: MATTE TIN PLATE

3 MATING INTERFACE PER ANSI C136.41-2013.

4. THIS PRODUCT HAS NOT COMPLETED VALIDATION TESTING.

THIS DRAWING IS A CONTROLLED DOCUMENT.

DWN	J. SCHOLZ	16 JAN 2024
CHK	M. MOSTOLLER	16 JAN 2024
APVD	M. MOSTOLLER	16 JAN 2024
PRODUCT SPEC	108-32125	
APPLICATION SPEC	114-160849	
WEIGHT	-	
CUSTOMER DRAWING		

STE TE Connectivity

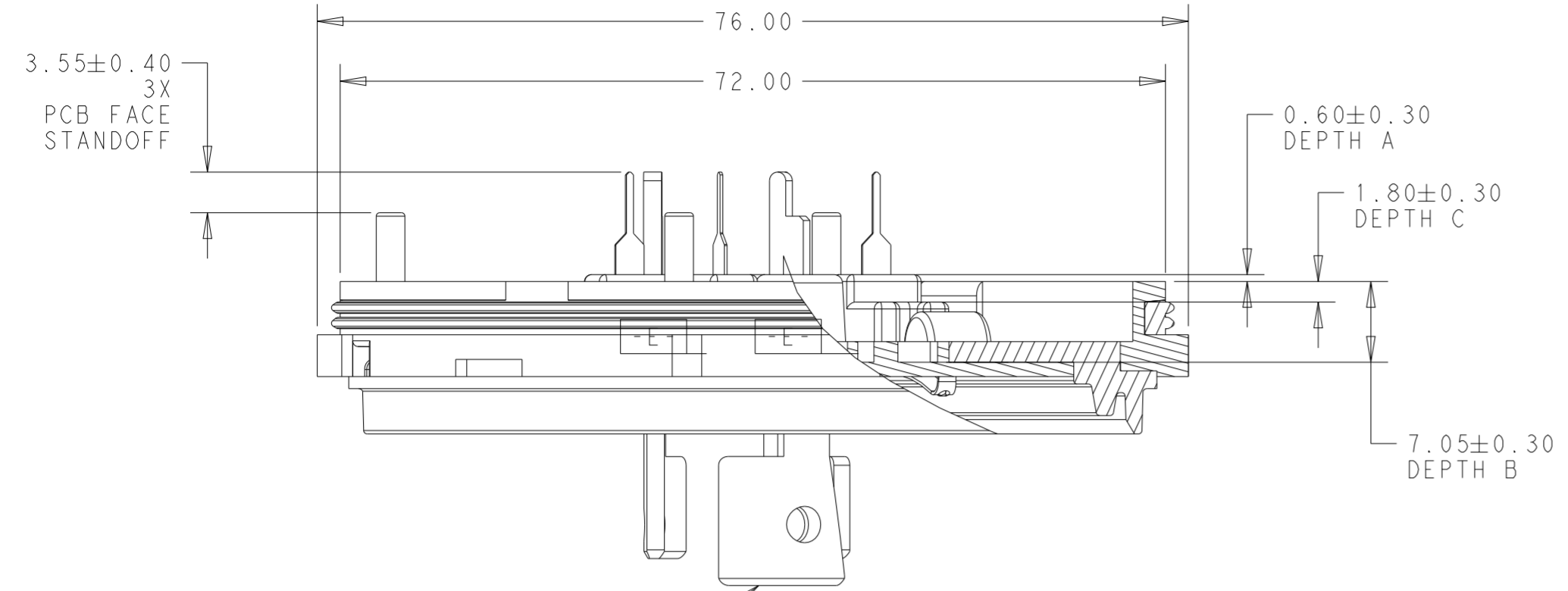
NAME: LUMAWISE ENDURANCE N+ ASSEMBLY
 INTEGRATED GASKET
 76MM DIAMETER

SIZE: A2 CAGE CODE: - DRAWING NO: C-2468181 RESTRICTED TO: -

SCALE: 1:1 SHEET: 1 OF 4 REV: A

THIS DRAWING IS UNPUBLISHED. RELEASED FOR PUBLICATION 20
 © COPYRIGHT 20 BY - ALL RIGHTS RESERVED.

REVISIONS				
P	LTR	DESCRIPTION	DATE	APVD
-	-	SEE SHEET 1	-	-

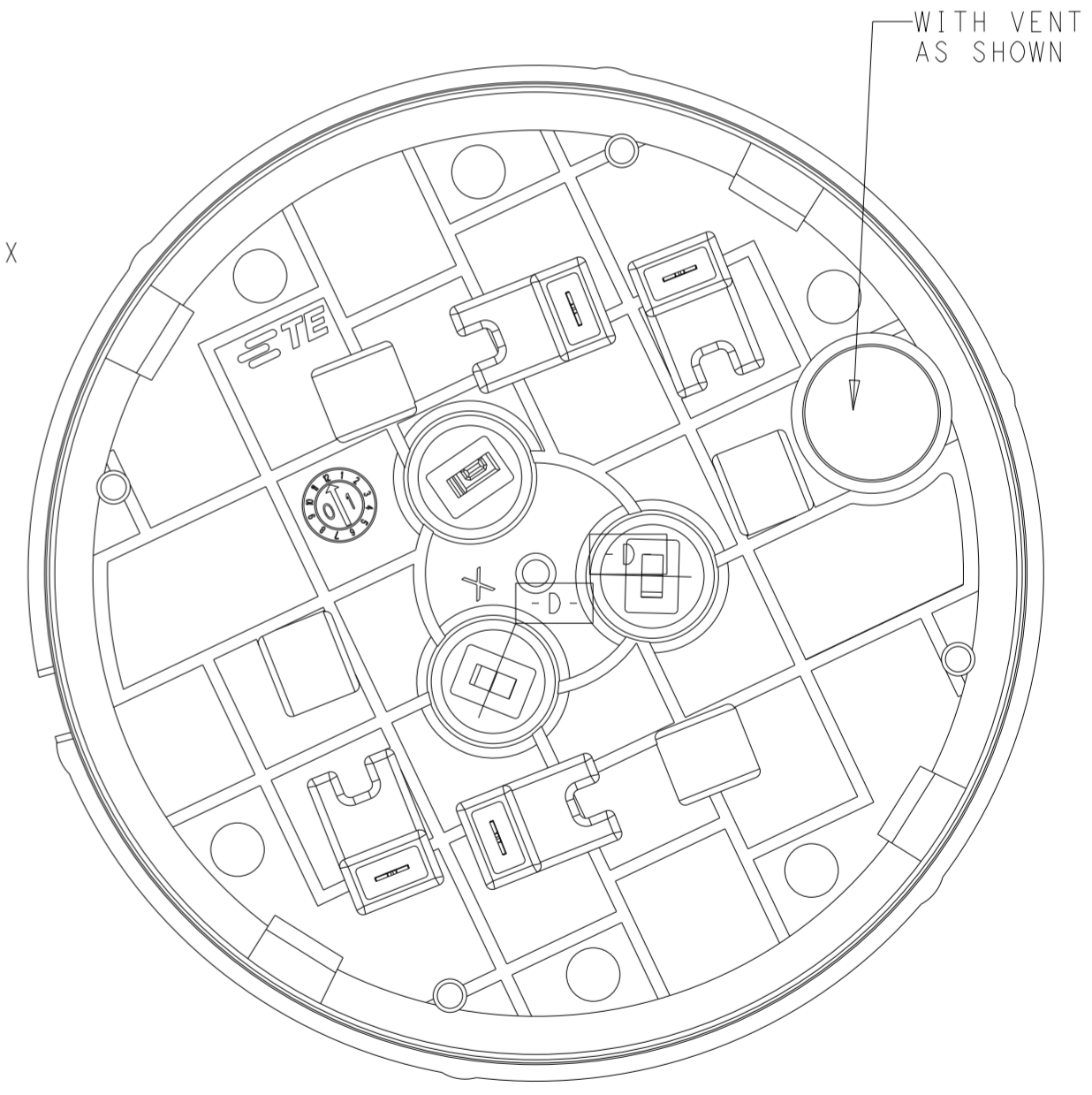
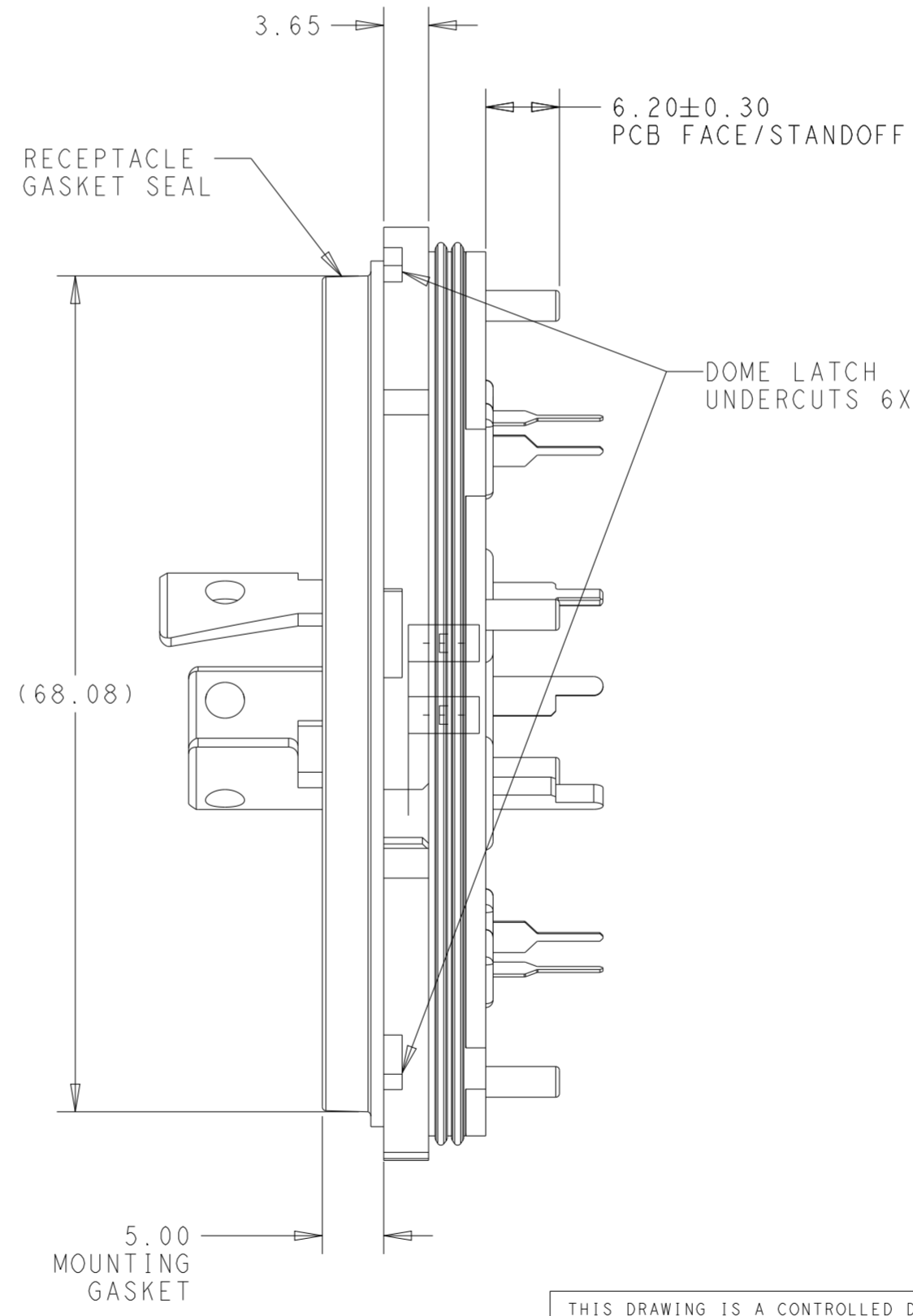
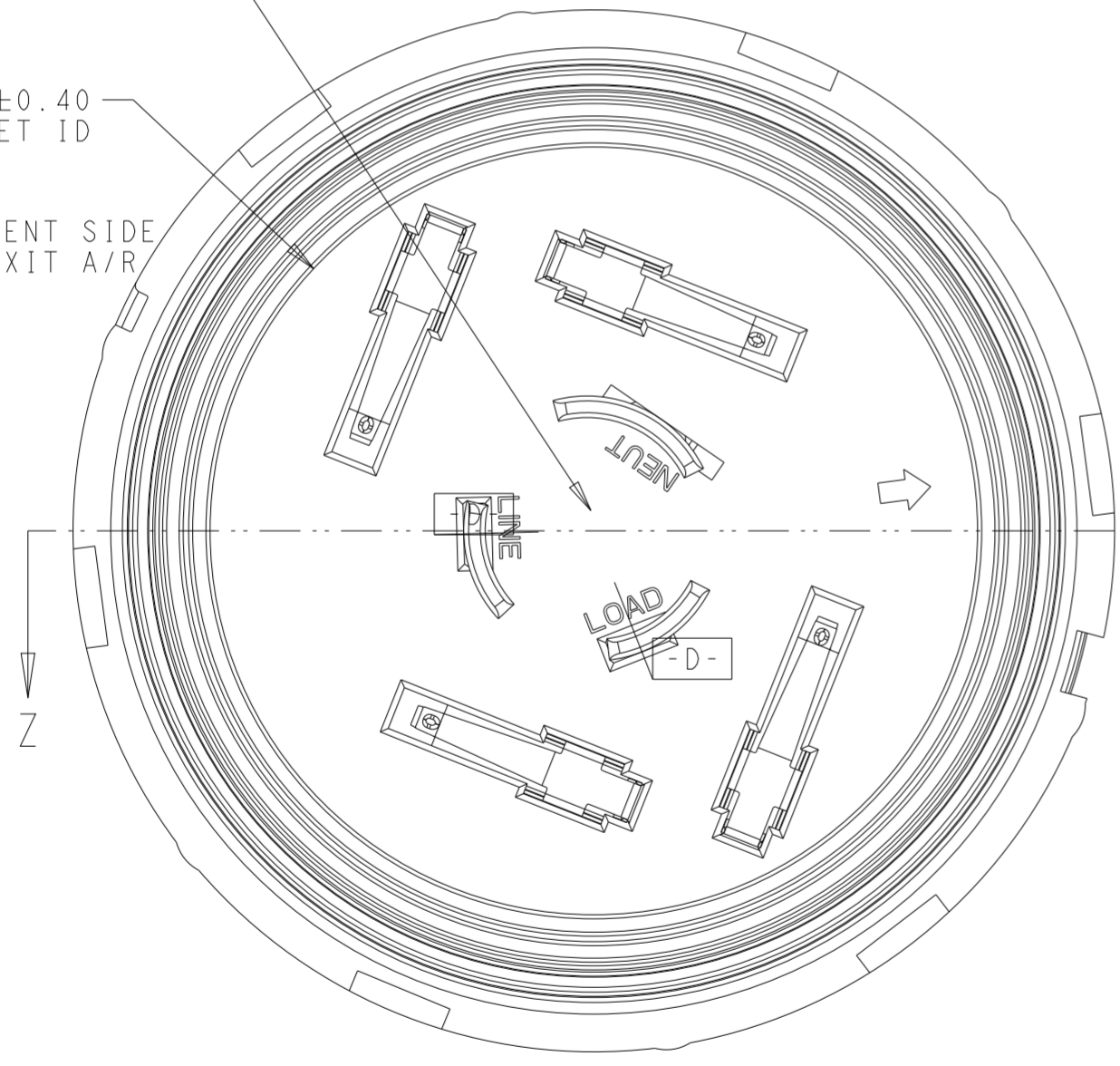


2468181-1 AS SHOWN

SECTION Z-Z
SCALE 2:1

Ø56.00±0.40
GASKET ID

VENT SIDE
EXIT A/R



THIS DRAWING IS A CONTROLLED DOCUMENT.		DWN J. SCHOLZ 16 JAN 2024	TE Connectivity	
DIMENSIONS: mm		CHK M. MOSTOLLER 16 JAN 2024		
TOLERANCES UNLESS OTHERWISE SPECIFIED:		APVD M. MOSTOLLER 16 JAN 2024	NAME LUMAWISE ENDURANCE N+ ASSEMBLY INTEGRATED GASKET 76MM DIAMETER	
0 PLC ±	1 PLC ±0.2	PRODUCT SPEC 108-32125	SIZE A2	RESTRICTED TO -
2 PLC ±0.13	3 PLC ±0.015	APPLICATION SPEC 114-160849	CAGE CODE -	DRAWING NO C-2468181
4 PLC ±	ANGLES ±3°	WEIGHT -	SCALE 1:1	SHEET 2 OF 4
MATERIAL -	FINISH -	CUSTOMER DRAWING	REV A	

4

3

2

1

THIS DRAWING IS UNPUBLISHED.	RELEASED FOR PUBLICATION	20
© COPYRIGHT 20	BY -	ALL RIGHTS RESERVED.

REVISIONS					
P	LTR	DESCRIPTION	DATE	DWN	APVD
-	-	SEE SHEET 1	-	-	-

Top view of the integrated gasket showing dimensions and keep-out areas. The drawing includes the following labels and dimensions:

- 90.0° (Total angle)
- 4.5 4X (Radial dimension)
- 85.0° 4X (Angle)
- Ø 2.5 4X (Small hole diameter)
- Ø DIM P (Dimension across holes)
- 38.9° (Angle)
- 18.0 4X (Radial dimension)
- Ø 12.5 (Outer diameter)
- Ø 12.5 2X (Dimension across holes)
- 7.0 4X (Radial dimension)
- 38.5° 2X (Angle)
- Ø 10.00 (Inner diameter)
- DEPTH A 7 PLC (Dimension)
- DEPTH B (Dimension)
- DEPTH C 4 PLC (Dimension)
- DEPTH D (Dimension)
- DIM S (Dimension)
- 90° 2X (Angle)
- Ø DIM N TOTAL KEEP OUT (Dimension)

COMPONENT KEEP OUT AREAS
ALL POSITIONS SHOWN

Cross-section view of the gasket showing the top and bottom sides. The drawing includes the following labels:

- BOTTOM SIDE
- TOP SIDE

RECOMMENDED PCB
SCALE 3:2

Detailed cross-section view of the gasket with dimensions. The drawing includes the following labels and dimensions:

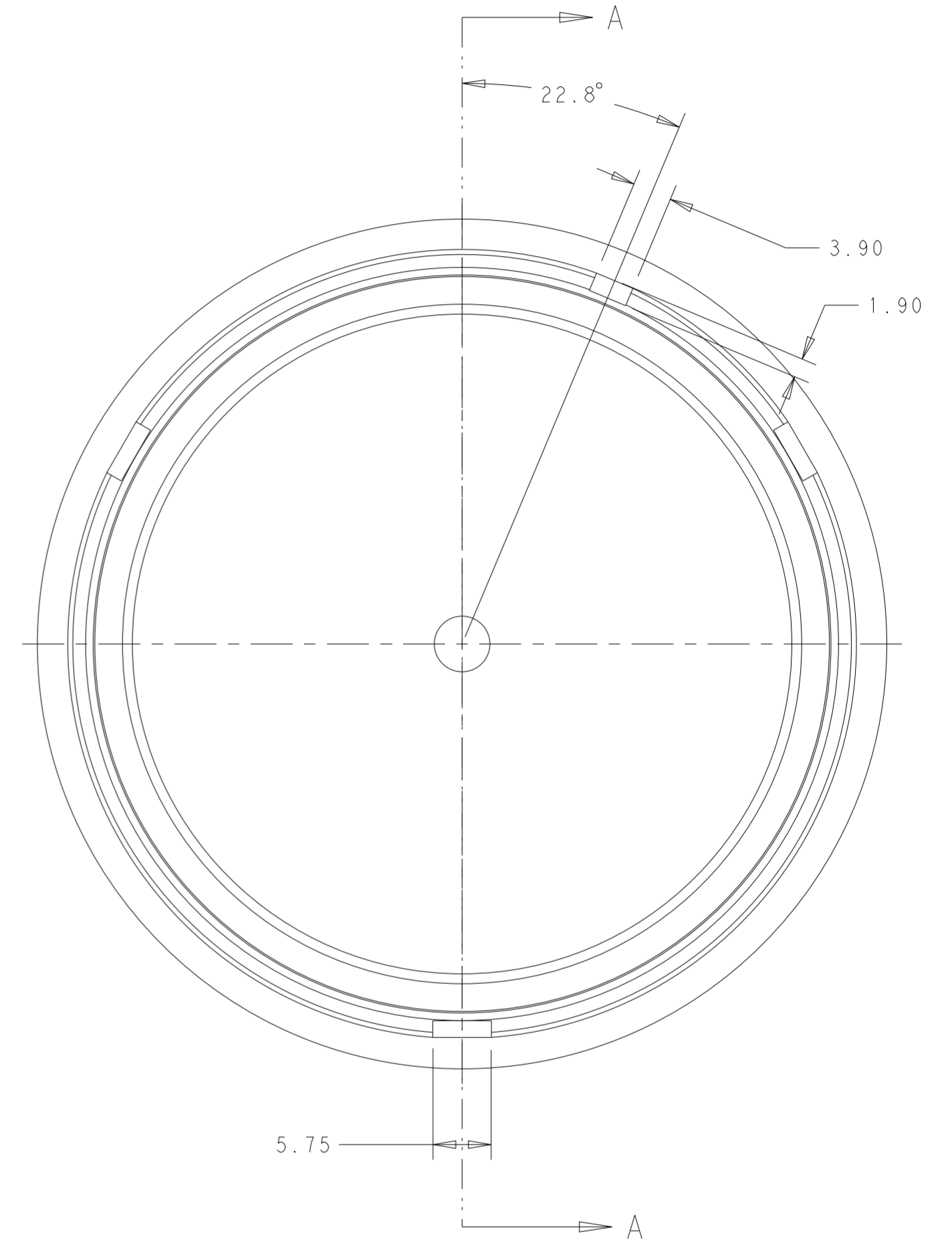
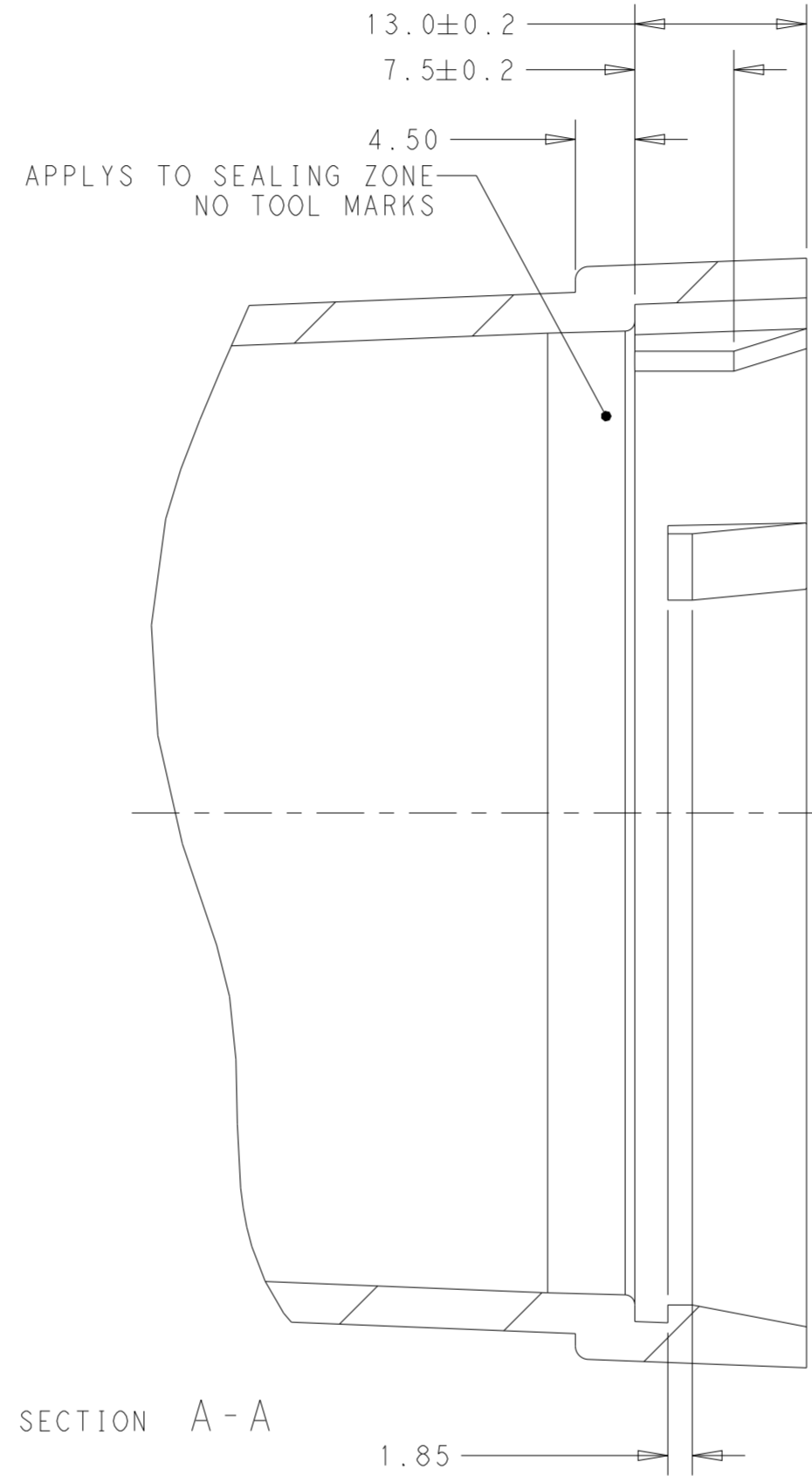
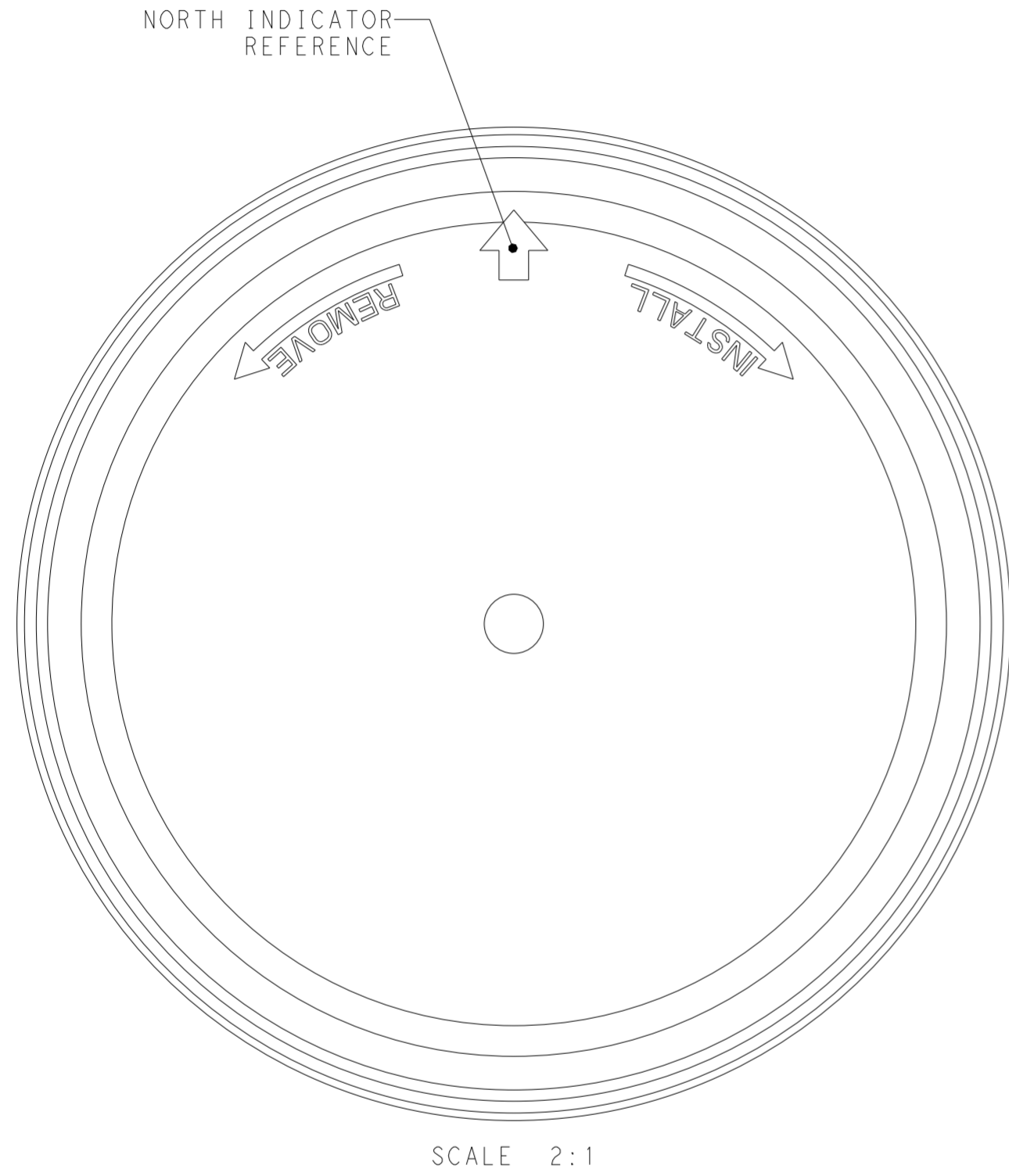
- 2.83 (Dimension)
- 3.80 (Dimension)
- 5.45 (Dimension)
- 6.75 (Dimension)
- 8.15 (Dimension)
- 2.95 (Dimension)
- 24.57 (Dimension)
- 19.68 (Dimension)
- 8.70 (Dimension)
- 19.68 (Dimension)
- Ø 1.20 ± 0.08 4X (Dimension)
- 3.80 (Dimension)
- 2.83 (Dimension)
- Ø 2.75 ± 0.08 3X (Dimension)
- TOP (Label)
- LINE (Label)
- LOAD (Label)

THIS DRAWING IS A CONTROLLED DOCUMENT.		DWN J. SCHOLZ 16 JAN 2024	TE Connectivity	
DIMENSIONS: mm		CHK M. MOSTOLLER 16 JAN 2024		
TOLERANCES UNLESS OTHERWISE SPECIFIED:		APVD M. MOSTOLLER 16 JAN 2024	NAME LUMAWISE ENDURANCE N+ ASSEMBLY INTEGRATED GASKET 76MM DIAMETER	
0 PLC ± 1 PLC ±0.2 2 PLC ±0.13 3 PLC ±0.015 4 PLC ± ANGLES ±3° FINISH		PRODUCT SPEC 108-32125	SIZE A2	
MATERIAL -		APPLICATION SPEC 114-160849	CAGE CODE -	DRAWING NO C-2468181
		WEIGHT -	RESTRICTED TO -	
		CUSTOMER DRAWING	SCALE 1:1	SHEET 3 OF 4
			REV A	

1471-9 (3/13)

REVISIONS					
P	LTR	DESCRIPTION	DATE	DWN	APVD
-	-	SEE SHEET 1	-	-	-

**ALL DIMENSIONS SHOWN FOR REFERENCE ONLY
 SEE DOME PRINT TE PN: 2213748**



THIS DRAWING IS A CONTROLLED DOCUMENT.		DWN	J. SCHOLZ	16 JAN 2024	 TE Connectivity
DIMENSIONS:		CHK	M. MOSTOLLER	16 JAN 2024	
mm		APVD	M. MOSTOLLER	16 JAN 2024	
TOLERANCES UNLESS OTHERWISE SPECIFIED: 0 PLC ± 1 PLC ±0.2 2 PLC ±0.13 3 PLC ±0.015 4 PLC ± ANGLES ±3° FINISH		PRODUCT SPEC	108-32125	NAME	
MATERIAL	-	APPLICATION SPEC	114-160849	SIZE	A2
		WEIGHT	-	CAGE CODE	-
		CUSTOMER DRAWING		DRAWING NO	G-2468181
				RESTRICTED TO	-
				SCALE	1:1
				SHEET	4 OF 4
				REV	A