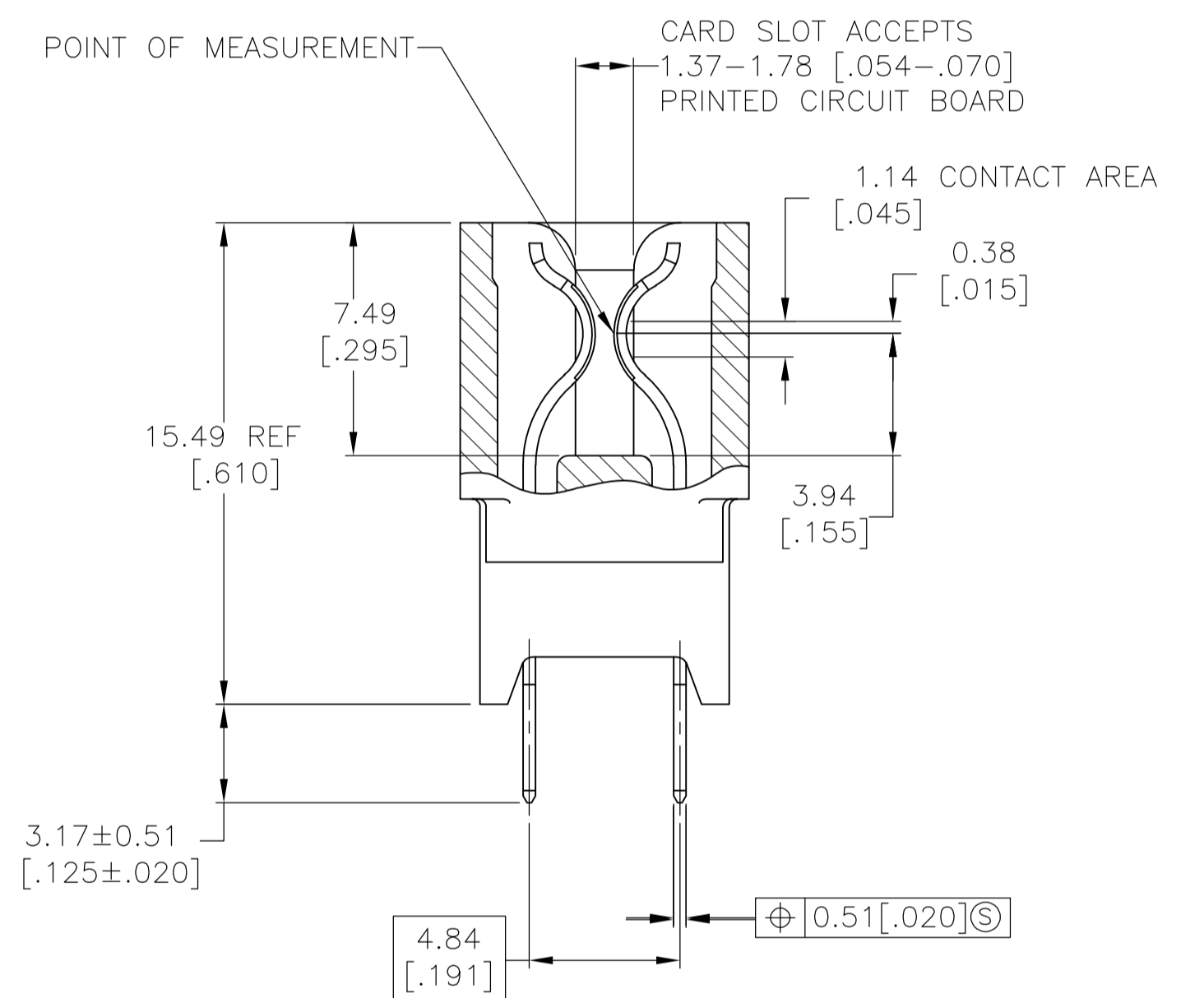
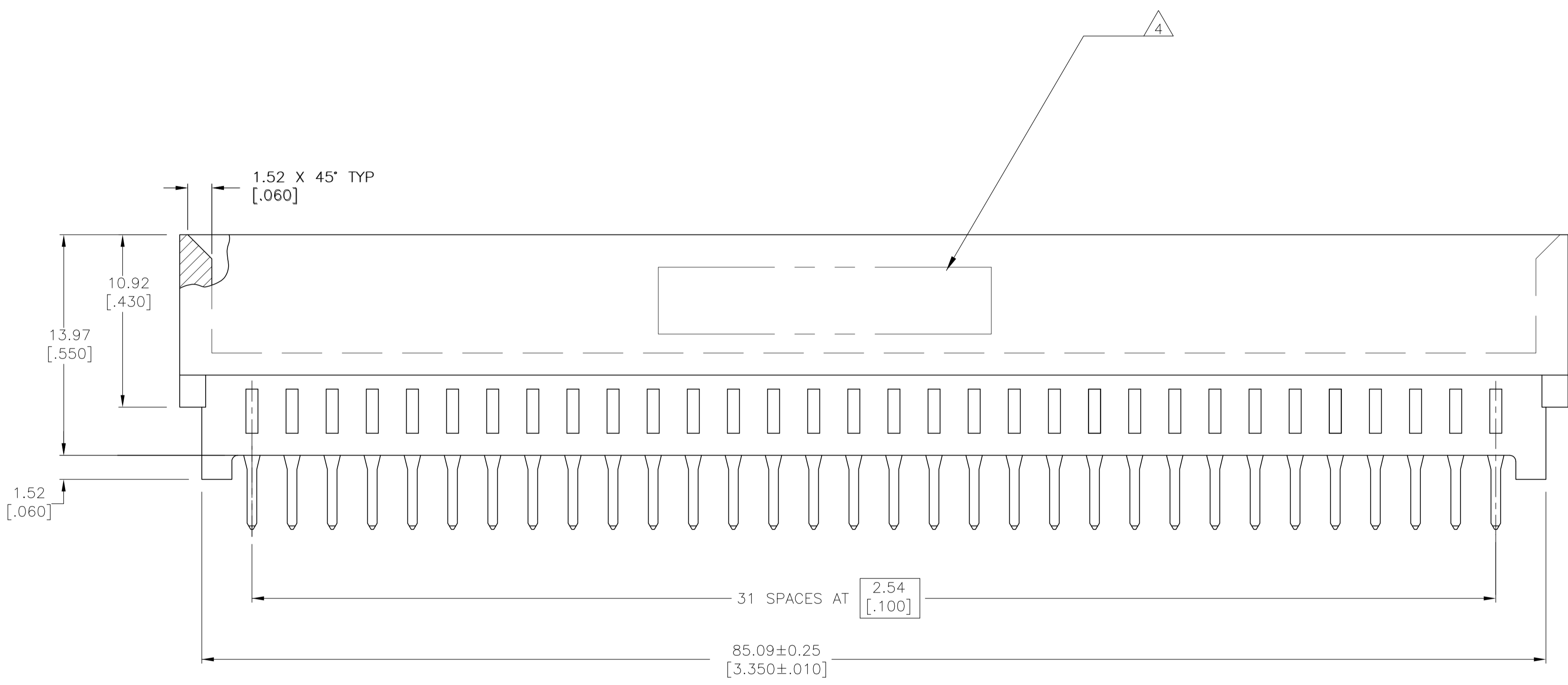


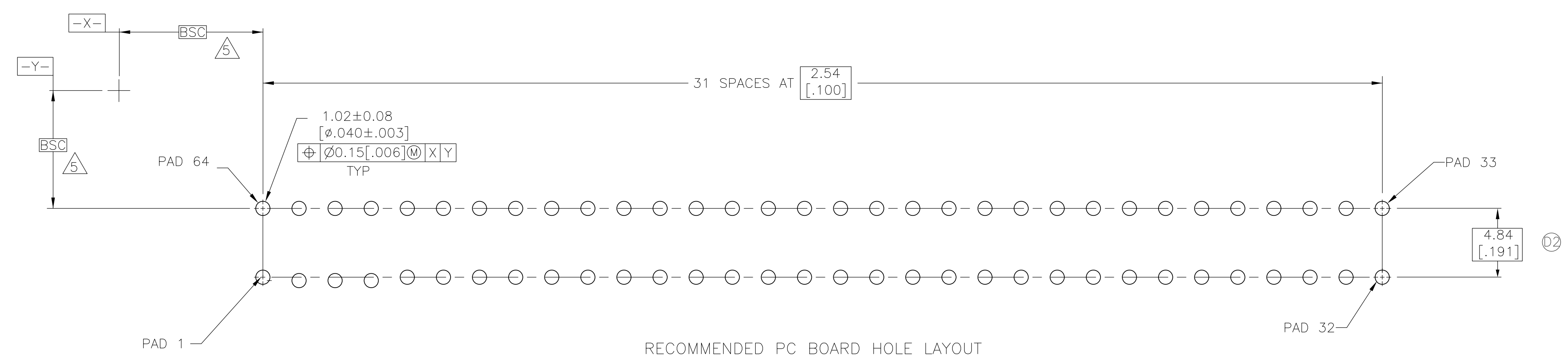
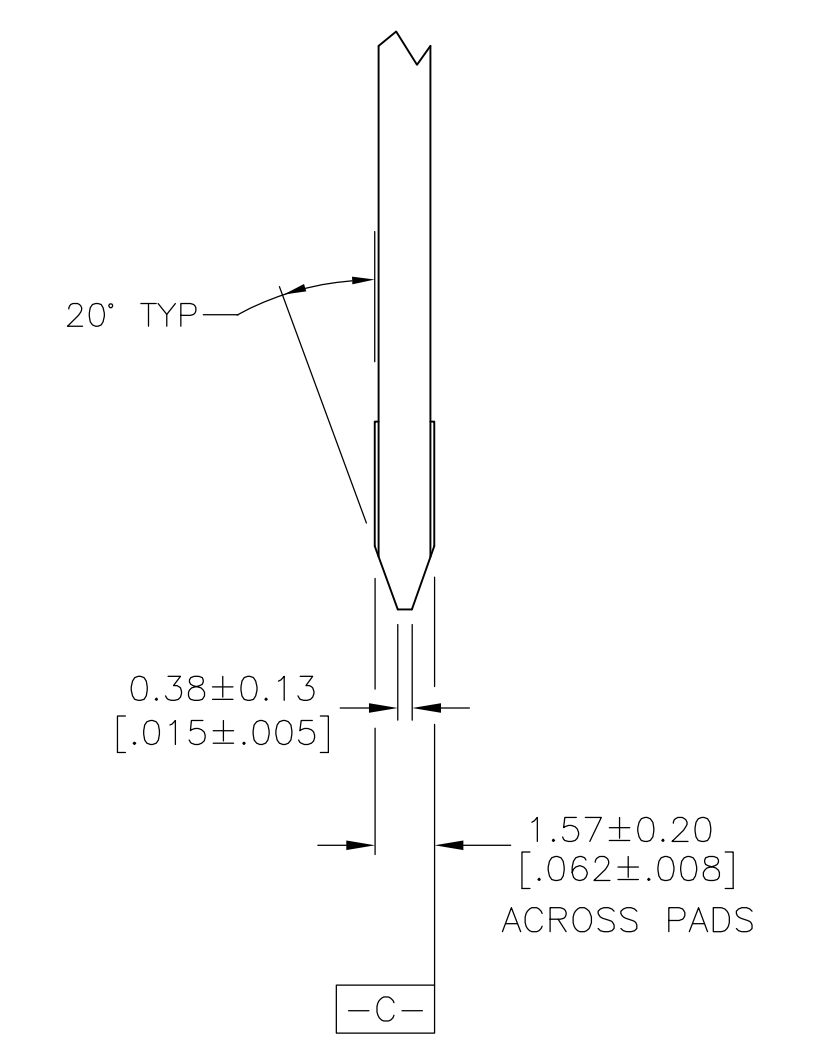
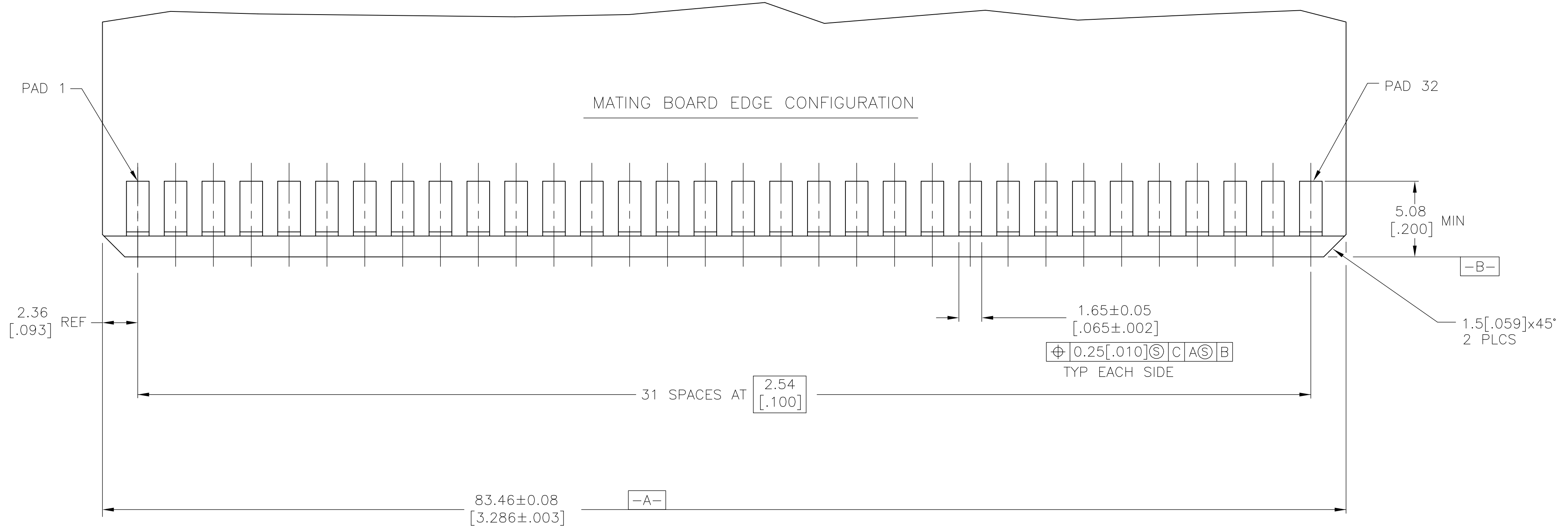
BOARD RETENTION FEATURE



- 1 HOUSING: GLASS FILLED POLYESTER, BLACK.
- 2 CONTACT: HIGH CONDUCTIVITY COPPER ALLOY.  
NICKEL PLATE:  $0.00127$  [ $.000050$ ] MIN - ALL OVER.  
MATTE TIN PLATE:  $0.00254$  [ $.000100$ ] MIN - SOLDER POSTS.  
GOLD PLATE:  $0.00076$  [ $.000030$ ] MIN - CONTACT AREA.
- 3. NICKEL PLATE PER MIL-G-45204.  
GOLD PLATE PER QQ-N-290.
- 4 AMP PART NUMBER AND DATE CODE MAY BE MARKED IN APPROXIMATE AREA SHOWN, EITHER SIDE.
- 5 DATUMS PLUS BASIC DIMENSIONS ESTABLISHED BY CUSTOMER.

2,3,30,31, 34,35,62,63	1761469-1
RETENTION LOCATION	PART NUMBER

THIS DRAWING IS A CONTROLLED DOCUMENT.		DIN R. GRZYBOWSKI 21SEPT04	TE Connectivity
DIMENSIONS: mm [INCHES]		CHK A. FRANTUM 21SEPT04	
TOLERANCES UNLESS OTHERWISE SPECIFIED:		APVD A. FRANTUM 21SEPT04	NAME
0. PLC ± -	1. PLC ± -	PRODUCT SPEC	CONNECTOR ASSEMBLY,
2. PLC ± -	3. PLC ± -	APPLICATION SPEC	STANDARD EDGE II, HIGH CURRENT
4. PLC ± -	ANGLES ± °	SIZE	DUAL POSITION, 2.54 [.100] CENTERLINE
MATERIAL	FINISH	WEIGHT	RESTRICTED TO
1 2	2	A1 00779 1761469	SCALE 5:1 SHEET 1 OF 2 REV D2
CUSTOMER DRAWING			



THIS DRAWING IS A CONTROLLED DOCUMENT.		DRN R. GRZYBOWSKI 21SEPT04	21SEPT04		TE Connectivity
DIMENSIONS: mm [INCHES]		CHK A. FRANTUM 21SEPT04	21SEPT04		
TOLERANCES UNLESS OTHERWISE SPECIFIED:		NAME A. FRANTUM	NAME	CONNECTOR ASSEMBLY, STANDARD EDGE II, HIGH CURRENT DUAL POSITION, 2.54 [.100] CENTERLINE	
0. PLC ± -		PRODUCT SPEC	108-2148	SIZE: CAGE CODE DRAWING NO	
1. PLC ± -		APPLICATION SPEC	114-13018	RESTRICTED TO	
2. PLC ± .13 [.005]		WEIGHT	-	A1 00779 ©=1761469	
3. PLC ± -		MATERIAL	SEE SHEET 1	CUSTOMER DRAWING	
4. PLC ± -		FINISH	SEE SHEET 1	SCALE 5:1 SHEET 2 OF 2 REV D2	
ANGLES ± 2°					