

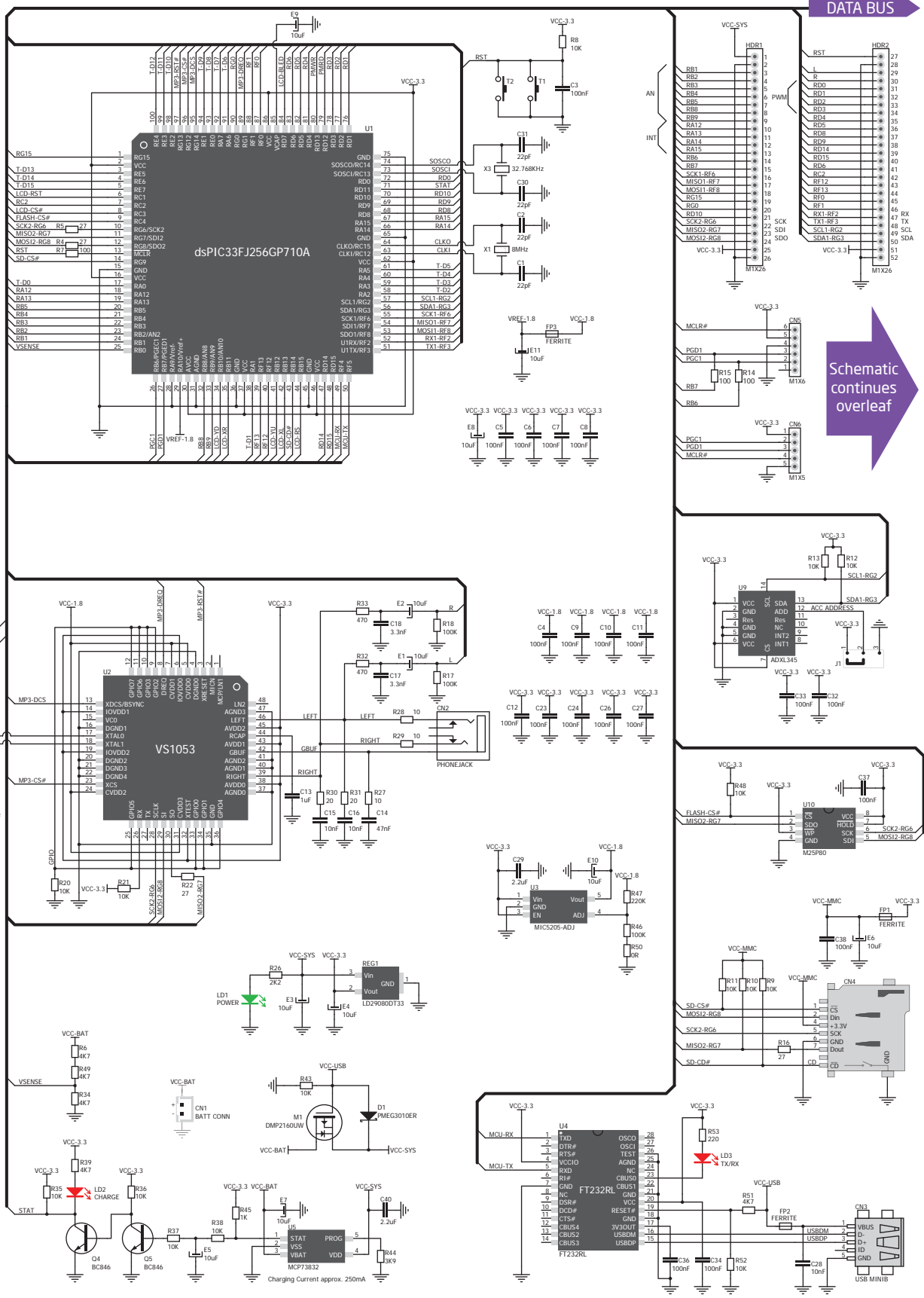
SCHEMATICS

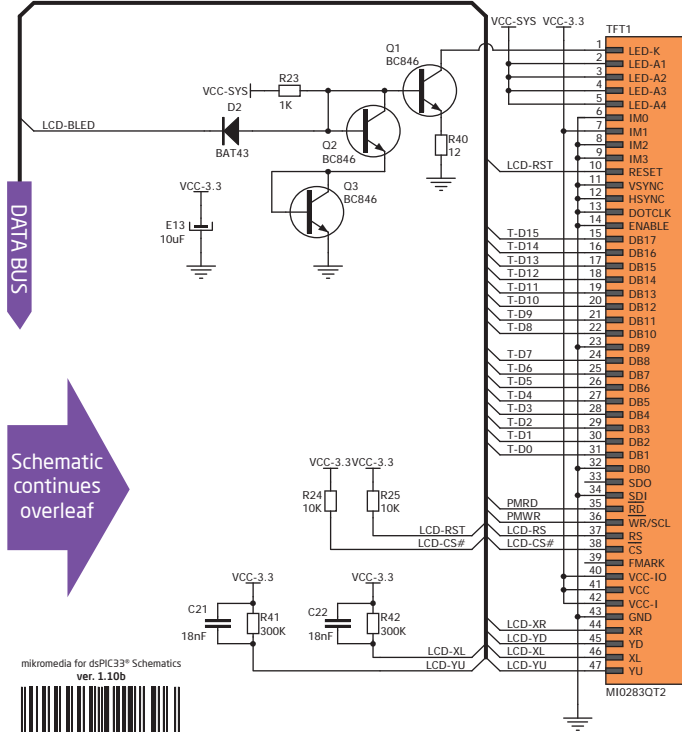
mikromedia™

for dsPIC33®

We present you with a complete color schematics for mikromedia™ for dsPIC33® development board. We want you to know what your board is consisted of and how it actually works.

Schematic continues overleaf





DATA BUS

Schematic continues overleaf

mikromedia for dsPIC33® Schematics ver. 1.10b



HW REV. 1.10

Copyright 2003-2012 by MikroElektronika. All rights reserved.



TFT 320x240 display with 262.144 colors

MikroElektronika assumes no responsibility or liability for any errors or inaccuracies that may appear in the present document. Specification and information contained in the present schematic are subject to change at any time without notice.