

# 2J7107BGF

## TETRA/UHF and GNSS Screw Mount

### Key Features

**Cable 1: TETRA/UHF**

- 380-470 MHz

**Cable 2: GPS/GLONASS/QZSS/Galileo**

- 1575-1606 MHz

Screw Mount

Heavy Duty antenna

High Gain

Loaded Dipole

Ground Plane Dependent

Anti-Rotation Mounting

Customizable Cable and Connector

Dimensions: Ø 96 x H 130 mm

Certificates: IP67, IP69, IK09



## 1. Antenna and electrical specifications

**Cable 1**

Parameters	TETRA/UHF Antenna
<b>Standards</b>	TETRA/UHF
<b>Band (MHz)</b>	390, 420, 460
<b>Frequency (MHz)</b>	380-470
<b>Return Loss (dB)</b>	~-14.7
<b>VSWR</b>	~1.5:1
<b>Efficiency (%)</b>	~73
<b>Peak Gain (dBi)</b>	~2.5
<b>Average Gain (dB)</b>	~-1.4
<b>Impedance (Ohm)</b>	50
<b>Polarisation</b>	Linear
<b>Radiation Pattern</b>	Omni-Directional
<b>Max. Input Power (W)</b>	25
<b>Connector Type</b>	SMA-Male Standard (Other Connectors Available)
<b>Cable Length</b>	300cm Standard (Any Cable Length Available)
<b>Cable Type</b>	LL195 Standard ( Other Cables Available)

**Antenna Measurement Conditions:**

Mounted on Metal Plate of 30 x 30 cm  
 200 cm of LL195 Cable  
 Measured in Certified CTIA 3D Anechoic Chamber

**Cable 2**

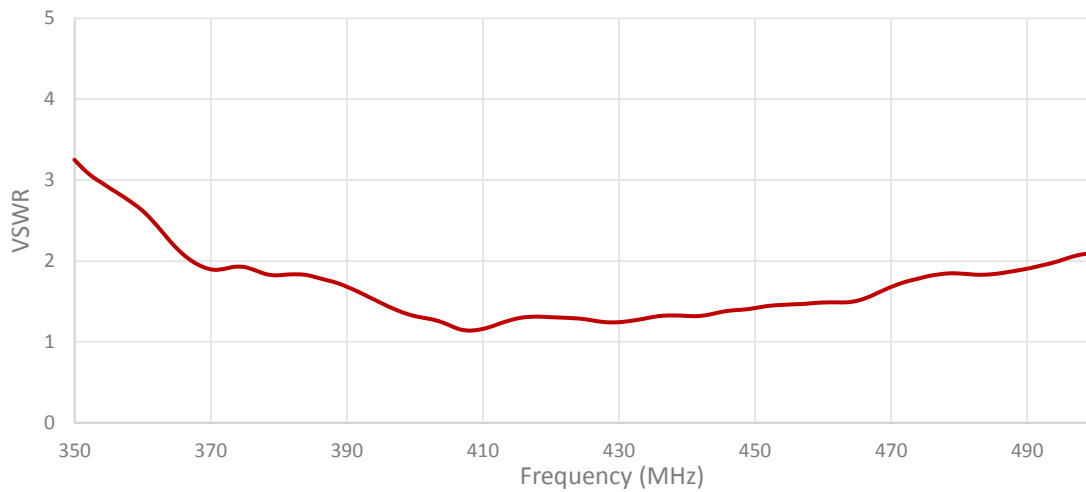
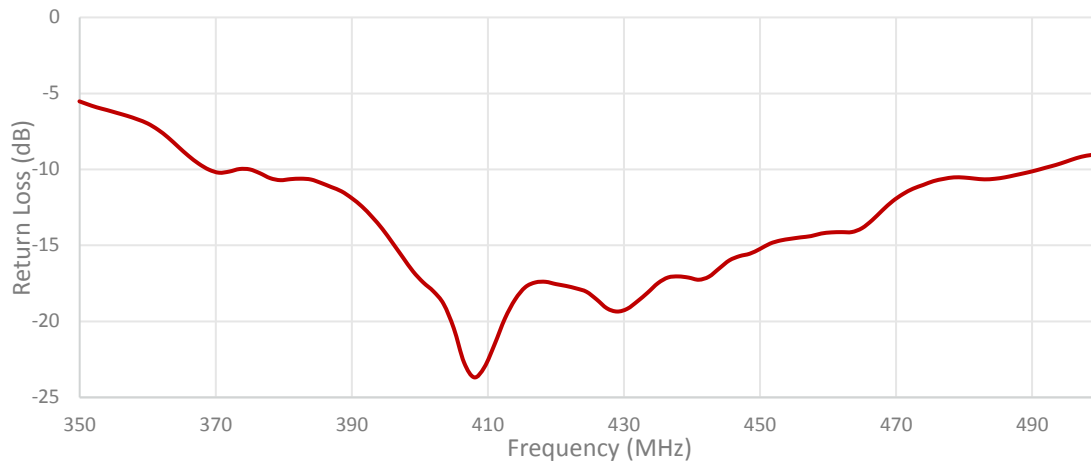
Parameters	GPS/GLONASS Antenna	
<b>Standards</b>	GPS/QZSS/Galileo	GLONASS
<b>Bands (MHz)</b>	1575	1602
<b>Frequency (MHz)</b>	1575.42	1598-1606
<b>Passive Gain (dBi)</b>	~3.6	
<b>Impedance (Ohms)</b>	50	
<b>Radiation Pattern</b>	Hemispherical	
<b>Voltage Range (V)</b>	1.5 - 3.6	
<b>Active Gain (dB)</b>	28 @ 2.7 V	
<b>Noise Figure (dB)</b>	1.8 @ 2.7 V	
<b>Current Consumption (mA)</b>	9 @ 2.7 V	
<b>Power Consumption (mW)</b>	24.3 @ 2.7 V	
<b>Saw Filter Type</b>	Pre-Filter	
<b>Out of Band Rejection (dB)</b>	~43	
<b>ESD Protection (kV)</b>	6	
<b>Connector Type</b>	SMA-Male Standard (Other Connectors Available)	
<b>Cable Length</b>	300 cm Standard (Any Cable Length Available)	
<b>Cable Type</b>	LL100 Standard (Other Cables Available)	

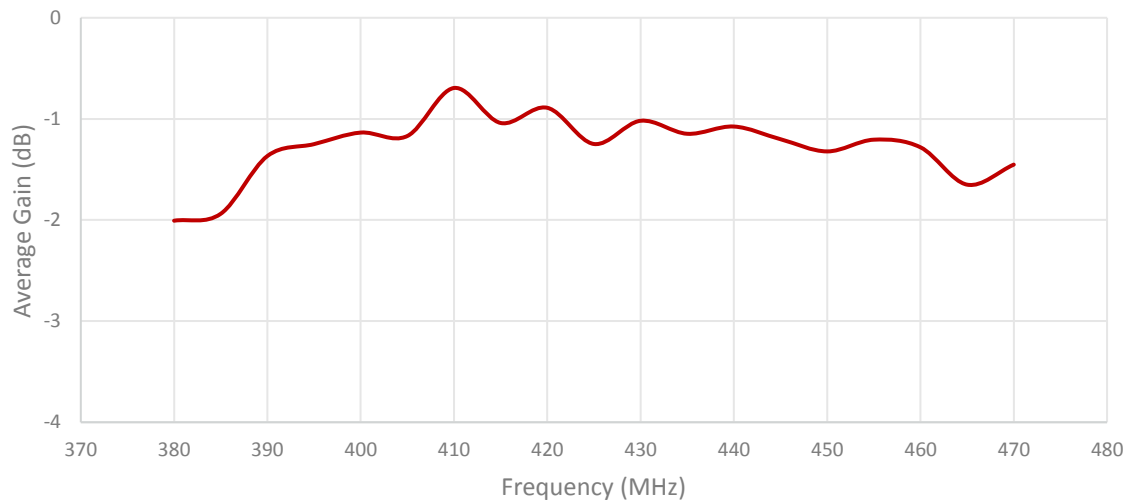
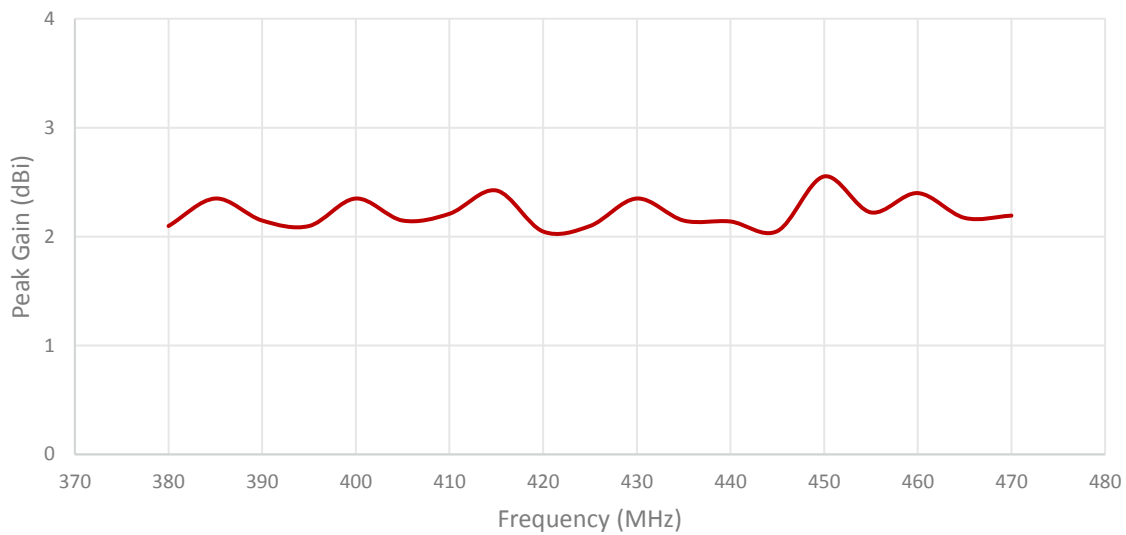
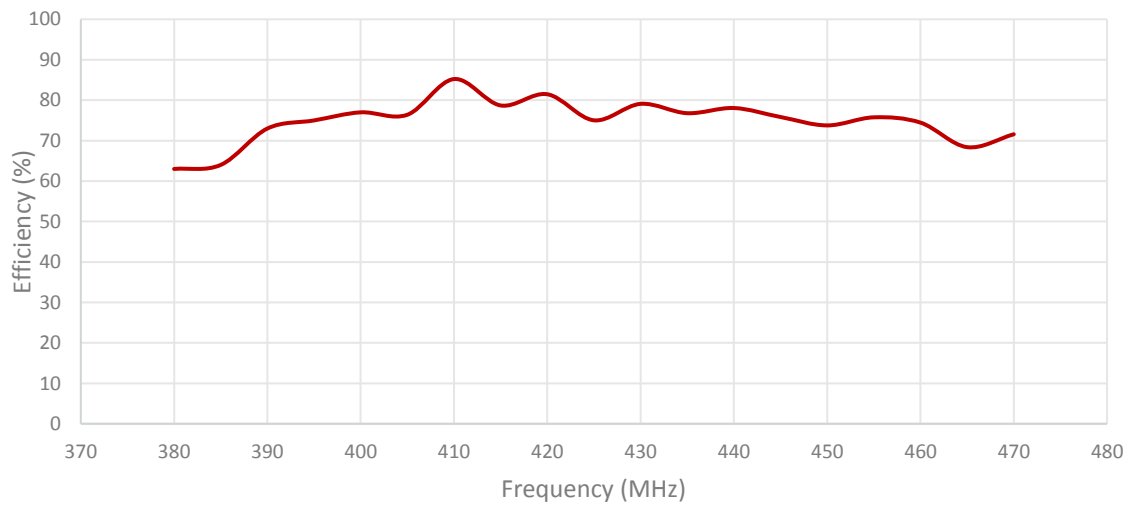
## 2. Mechanical and environmental specifications

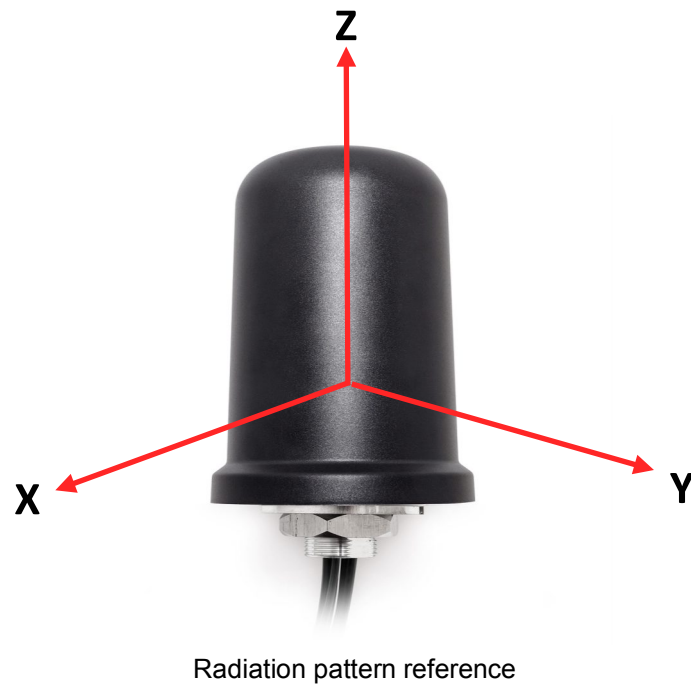
Specifications	2J7107BGF
<b>Mounting Type</b>	Screw Mount
<b>Dimensions (mm)</b>	Ø 96 x H 130
<b>Max. Tighten Torque (Nm)</b>	15 Nm
<b>Radome</b>	ASA
<b>Radome color</b>	White, Black
<b>Antenna Base</b>	Alluminium alloy
<b>Operating Temperature (C)</b>	-40 to +85
<b>Storage Temperature (C)</b>	-40 to +85
<b>Substance Compliance</b>	RoHS
<b>Certificates</b>	IP67, IP69, IK09

## 3. Antenna parameters

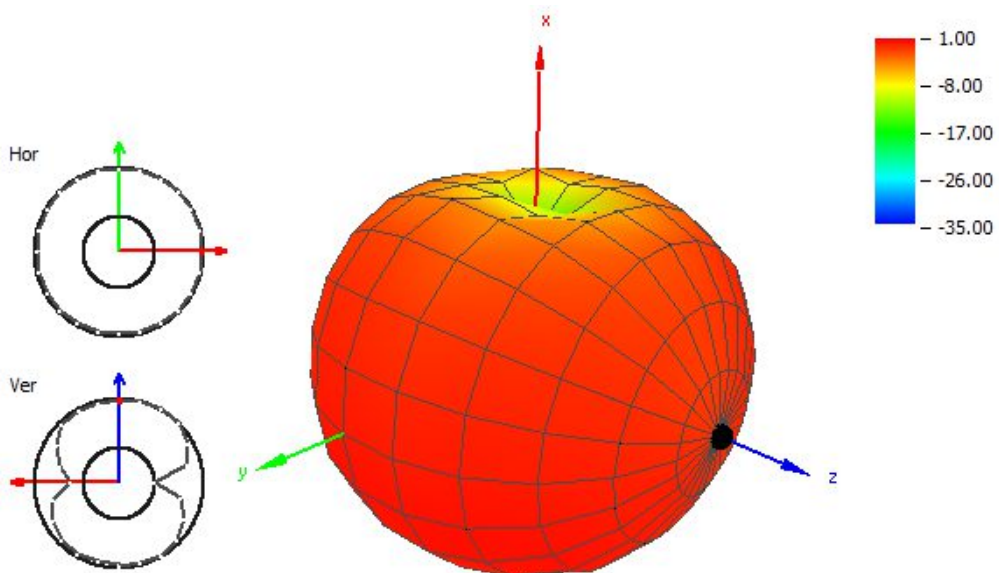
Cable 1: TETRA/UHF



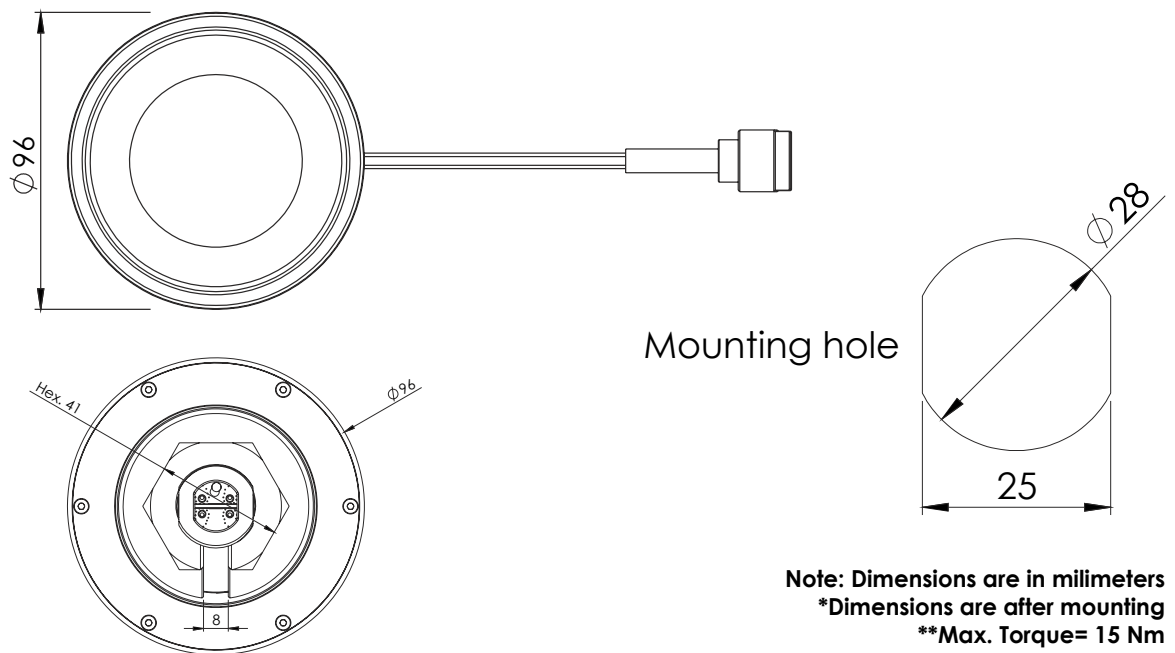
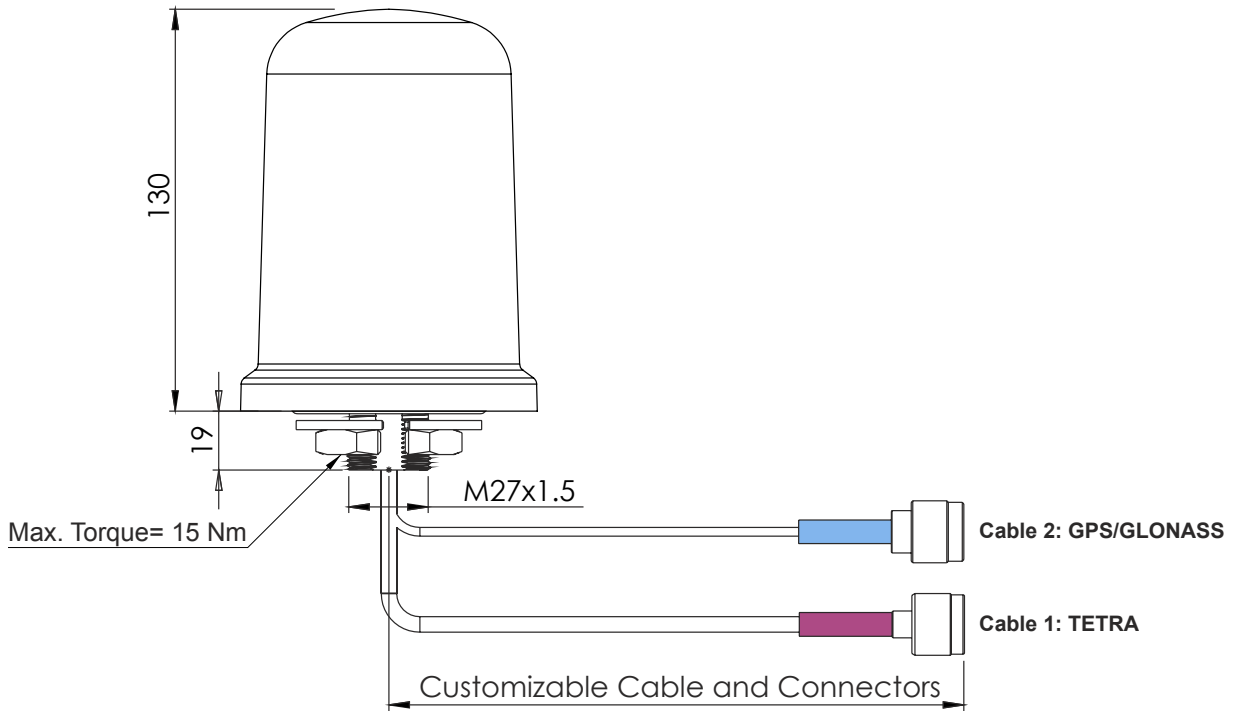




Cable 1: TETRA/UHF



## 4. Antenna drawings



## 5. Antenna Images

