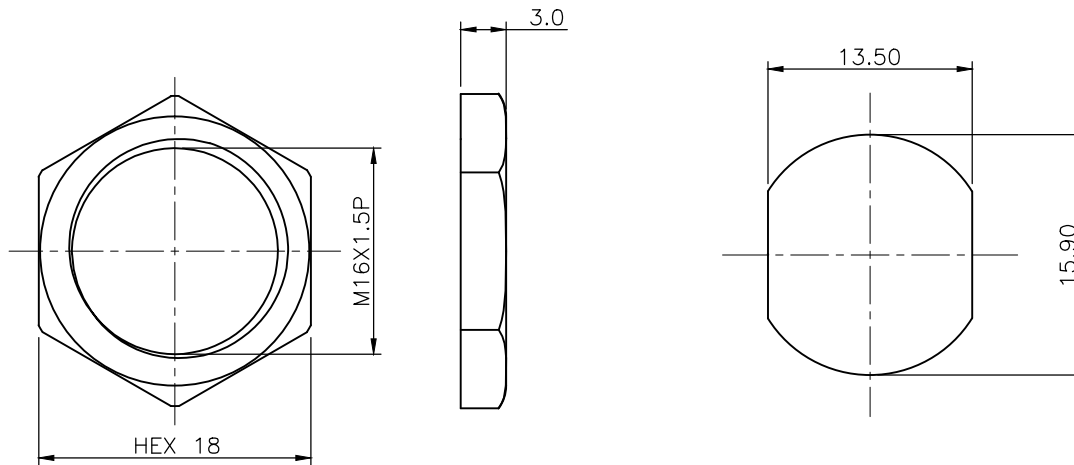
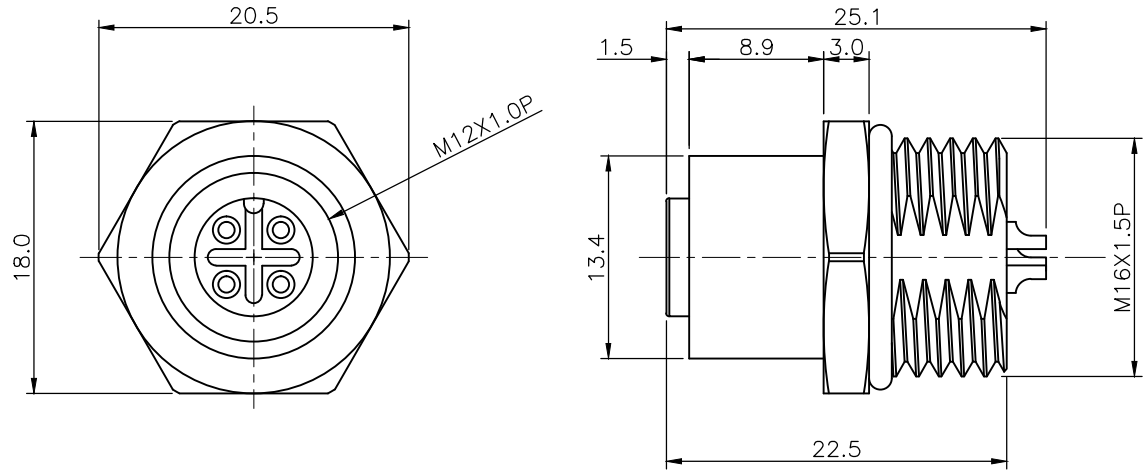


REV.	DESCRIPTION	DRAWN	DATE
1	INITIAL RELEASE	FROS	2023/05/03

**SPECIFICATION:**

1. Current Rating: 4A
2. Voltage Rating: 250V
3. Waterproof: IPX7
4. Operating temperature range: -40°C~+85°C



NUT

CUT OUT

6	EPOXY	EF400A & EF400B, Black
5	O-RING	EPDM
4	NUT	Brass, Nickel plating
3	SHELL	Brass, Nickel plating
2	CONTACT	Brass, 10u" Gold plating over Nickel
1	HOUSING	PBT, UL94V-0, Black

NO.	PART NAME	DESCRIPTION		
UNLESS OTHERWISE SPECIFIED TOLERANCE				
UNIT:	DECIMAL	LINEAR	ANGLES	
mm	X.	±0.50	±5°	
	X.X	±0.25	±3°	
	X.XX	±0.12	±1°	
WWW.ATTEND.COM.TW				
DRAWN	Fros	2023/05/03	DRAWN NAME:	
CHECKED	Tim	2023/05/03	M12 A- Code Receptacle, 4Pin Female Straight Solder Type Rear Fastened	
APPROVED	Ken	2023/05/03	PRODUCT NO. 216A-04FAR	
	SCALE 2/1	SHEET 1/1	SIZE A4	FILE NAME 216A-04FAR_B_1

