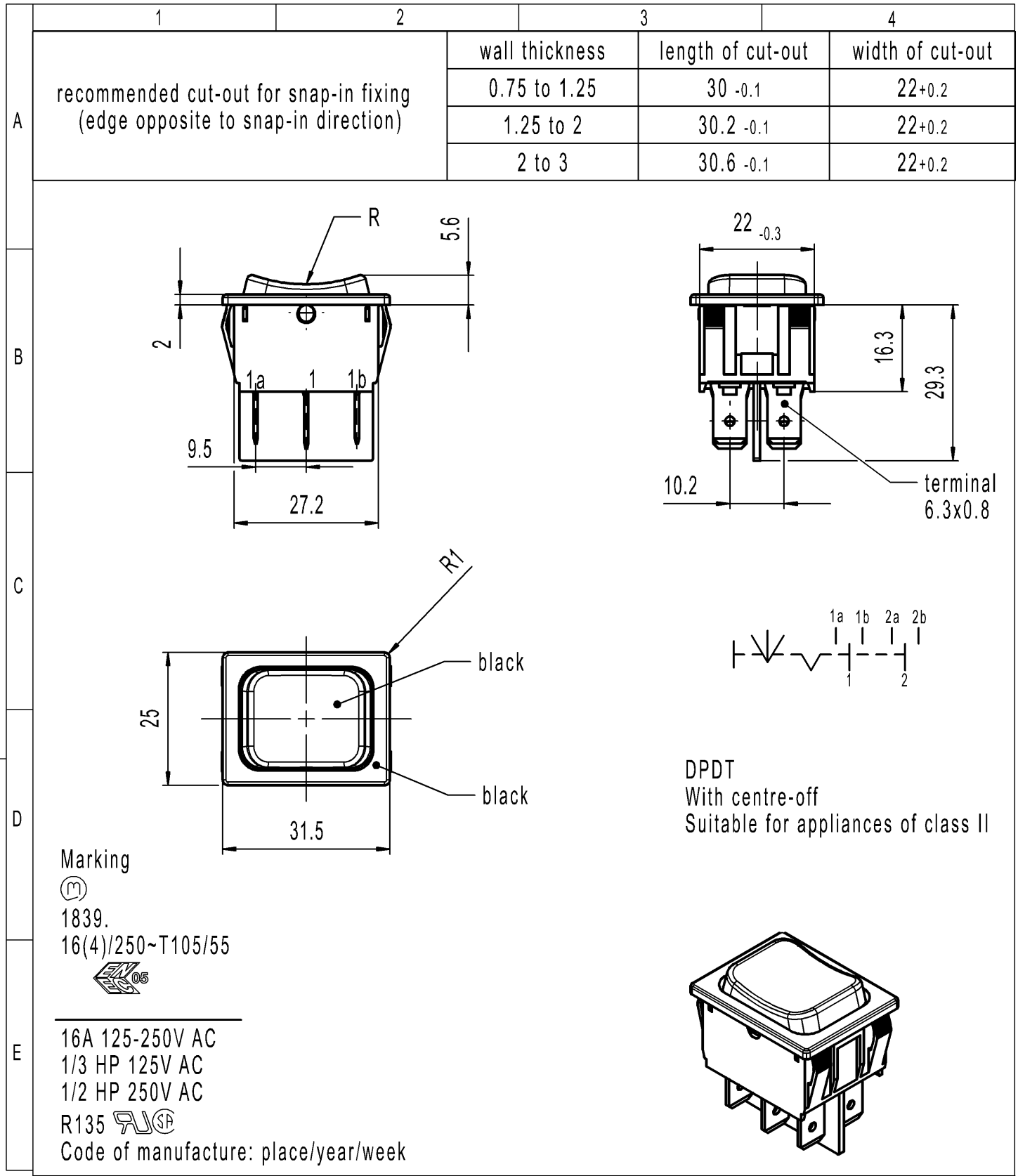


CONFIDENTIAL

VERTRAULICH

THIS DRAWING IS THE EXCLUSIVE PROPERTY OF MARQUARDT. WITHOUT THEIR CONSENT IT MAY NOT BE REPRODUCED OR GIVEN TO THIRD PARTIES.

Alle Rechte bei Marquardt, auch fuer den Fall von Schutzrechtsanmeldungen. Jede Veruegungsbefugnis, wie Kopier- und Weitergaberecht, bei uns.



Marking

Ⓜ
1839.
16(4)/250~T105/55



16A 125-250V AC
1/3 HP 125V AC
1/2 HP 250V AC

R135

Code of manufacture: place/year/week

-	-	-	1839.3512-XX
Figure	Type	Customer Part No.	Art.No.-PI
Shape and location 	Angle ± 2 °	Sheet 01	Ident. K
	Edge tolerance	Length 0-6 ± 0.2 >6-15 ± 0.4 >15-30 ± 0.4 >30-70 ± 0.6 ± ± ± ±	Document number 18393512 Index C
		Format DIN A4 Projection Scale 1:1	Appliance Switch
c	141196	2022-06-14	MOHITEN
b	64508	2009-09-01	HHE
a	29511	2000-05-10	GRH
		1986-04-22	
Index	MEC-No.	Date (YYYY-MM-DD)	Edited by
		All dimensions are in millimetres System NX V1899 Replacement of Zg.gl.Nr.v.10.05.2000	