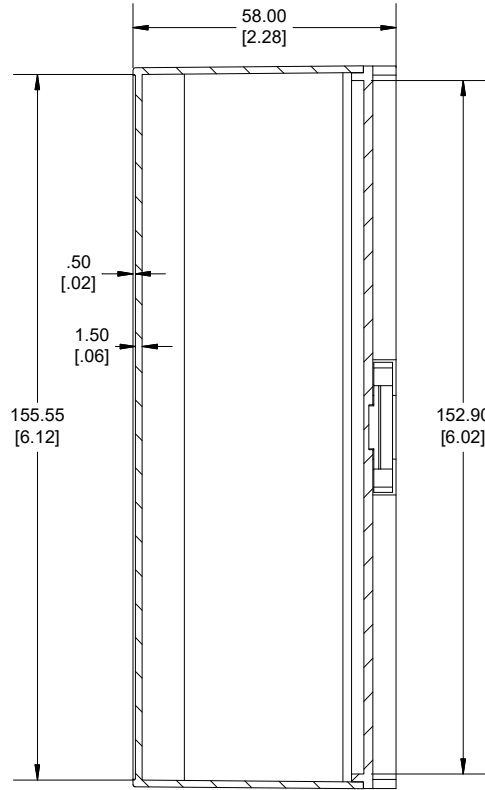
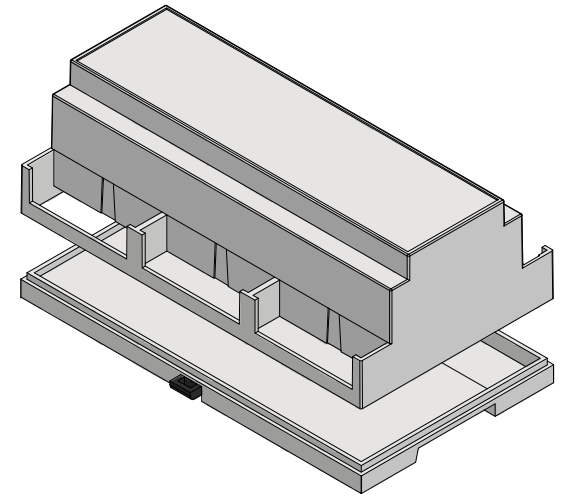


TOP VIEW



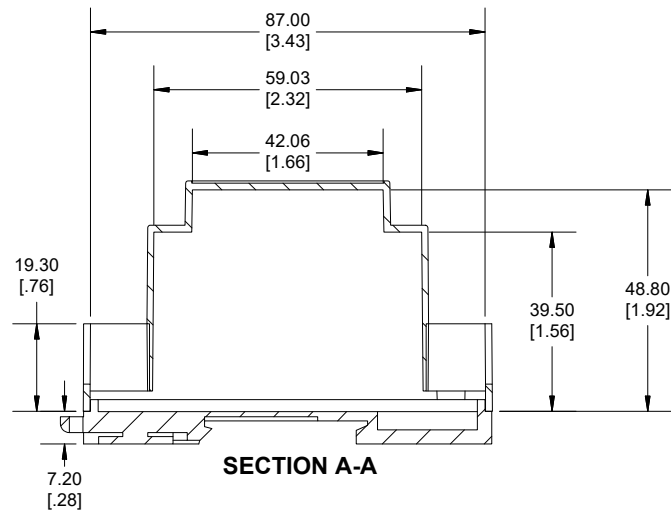
SECTION B-B



Enclosures can be Factory Modified (Milling, Drilling, Printing etc.)  
 Contact Factory (modshop@hammfg.com) for quotes  
 Solid models of this enclosure available in .stp or .x\_t  
 (Part number and text placement/orientation on our products are subject to change,  
 we do not recommend using them as a locating reference for modification purposes)

NOTE	
Purchased enclosure includes base, cover and din clip.	
Cover and base made from PPO.	

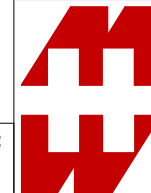
PART NUMBERS	
1597DIN	
Enclosure grey Module 9	1597DIN9MDC53
ACCESSORIES	
TERMINAL COVER BLANK CLOSED	1597D3MTC
TERMINAL COVER WITH HOLES	1597D3MTC6
TERMINAL COVER WITH PUNCH-OUT HOLES	1597D3MTCCKO
TERMINAL COVER WITH BUS CONNECTOR	1597D3MBC
TERMINAL COVER BLANK OPEN	1597D3MTCP
BREAD BOARD	1597D4MADP
DIN CLIP	1597DINCLIPXT



SECTION A-A

TERMINAL COVER  
 DRAWINGS ARE  
 AVAILABLE

Dimensions:  
 mm  
 [inches]



HAMMOND  
 MANUFACTURING®

1597DIN9MDC53

www.hammondmfg.com

REV: 10.08.2023