

Article datasheet

Standoff Galvanized Steel M/F AF4x8 F=M2x6 M=M2x6 w/o Undercut

Article-No.: 005.12.0802

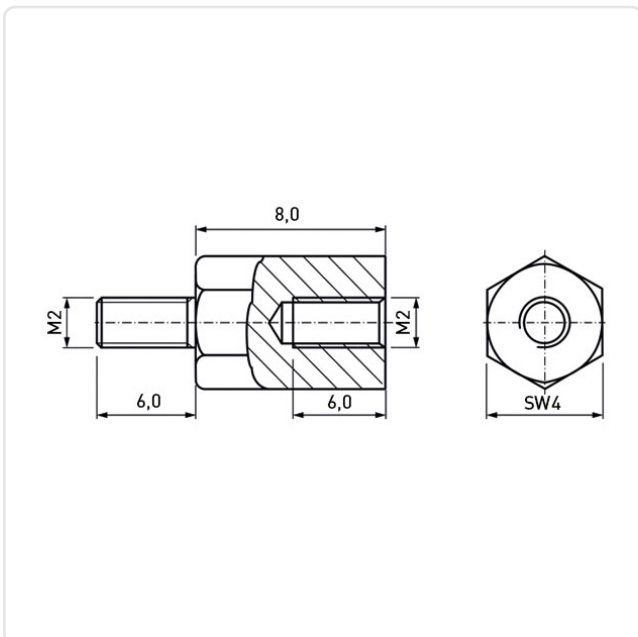


Image may be similar

| | |
|----------------------------|-----------------------------|
| AF / OD [mm]: | 4 |
| Female Thread Length [mm]: | 6 |
| Female Thread Size: | M2 |
| Finish: | Galvanized, Blue, 5 µm, A2K |
| Length [mm]: | 8 |
| Male Thread Length [mm]: | 6 |
| Male Thread Size: | M2 |
| Material: | Steel 11SMnPb30(+C) |
| Material Group: | Steel |
| Profile: | Hexagonal |
| Undercut: | No |
| Conformities: | |



You can find all information on the web on our article detail page



Would you like individual advice?

We look forward to your email to products@ettinger.de.

Subject to change and errors.