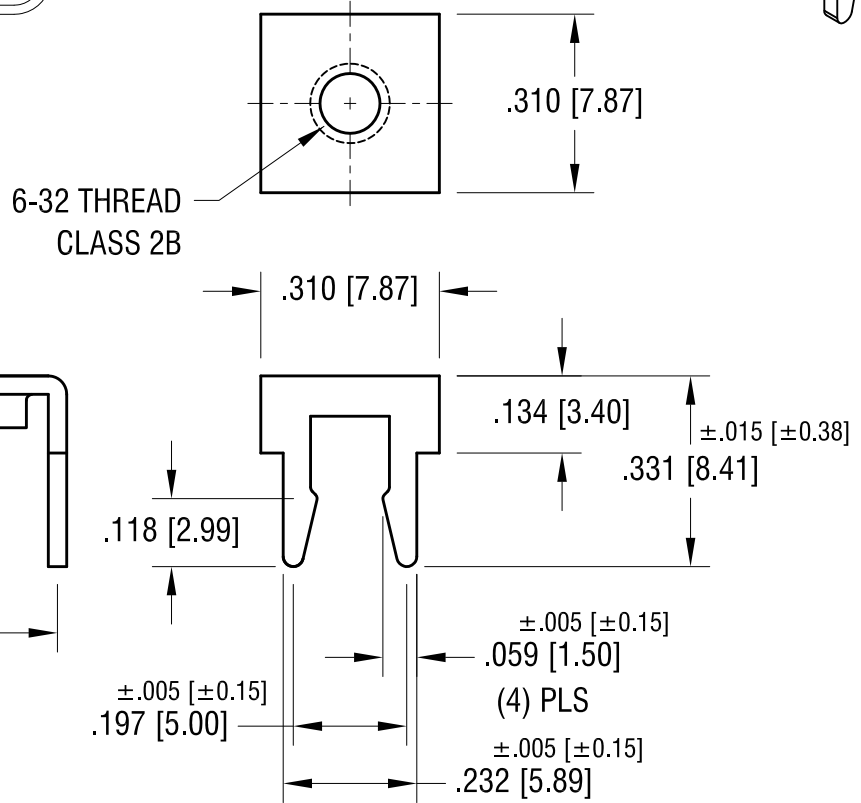
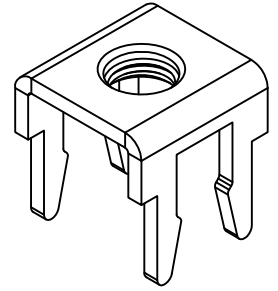
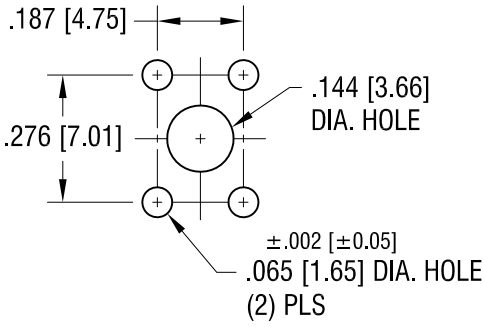


THIS DOCUMENT IS THE PROPERTY OF KEYSTONE ELECTRONICS CORP. AND SHALL NOT BE REPRODUCED, DISTRIBUTED OR USED AS A BASIS FOR MANUFACTURE WITHOUT PRIOR WRITTEN PERMISSION FROM KEYSTONE ELECTRONICS CORP.

MOUNTING DETAIL



KEYSTONE ELECTRONICS CORP.

www.keyelco.com • ASTORIA, N.Y. 11105-2017 • Tel (718) 956-8900

PART NAME
LOW-PROFILE PC SCREW TERMINAL

MATERIAL
.032 [0.81] TH'K BRASS

| | | |
|----------------------------------|------------------------|------------------------|
| FINISH MATTE TIN PLATE | DRN BY BOONE | DATE 9.19.01 |
| | APP'D LN | SCALE 3X |

| | | | | |
|----------------------------|---------------|-----------------|----------|-------------|
| TOLERANCES | INCH | [MM] | CODE | DWG NO. |
| DECIMAL | ± .010 | [± 0.25] | C | 7785 |
| ANGULAR | ± 1° | | | |
| UNLESS OTHERWISE SPECIFIED | | | | |

| | | |
|---------|--------------------------|------|
| 7.14.09 | CHANGE AS PER ECN 09-101 | C |
| 1.31.08 | CHANGE AS PER ECN 08-066 | B |
| DATE | DESCRIPTION | REV. |