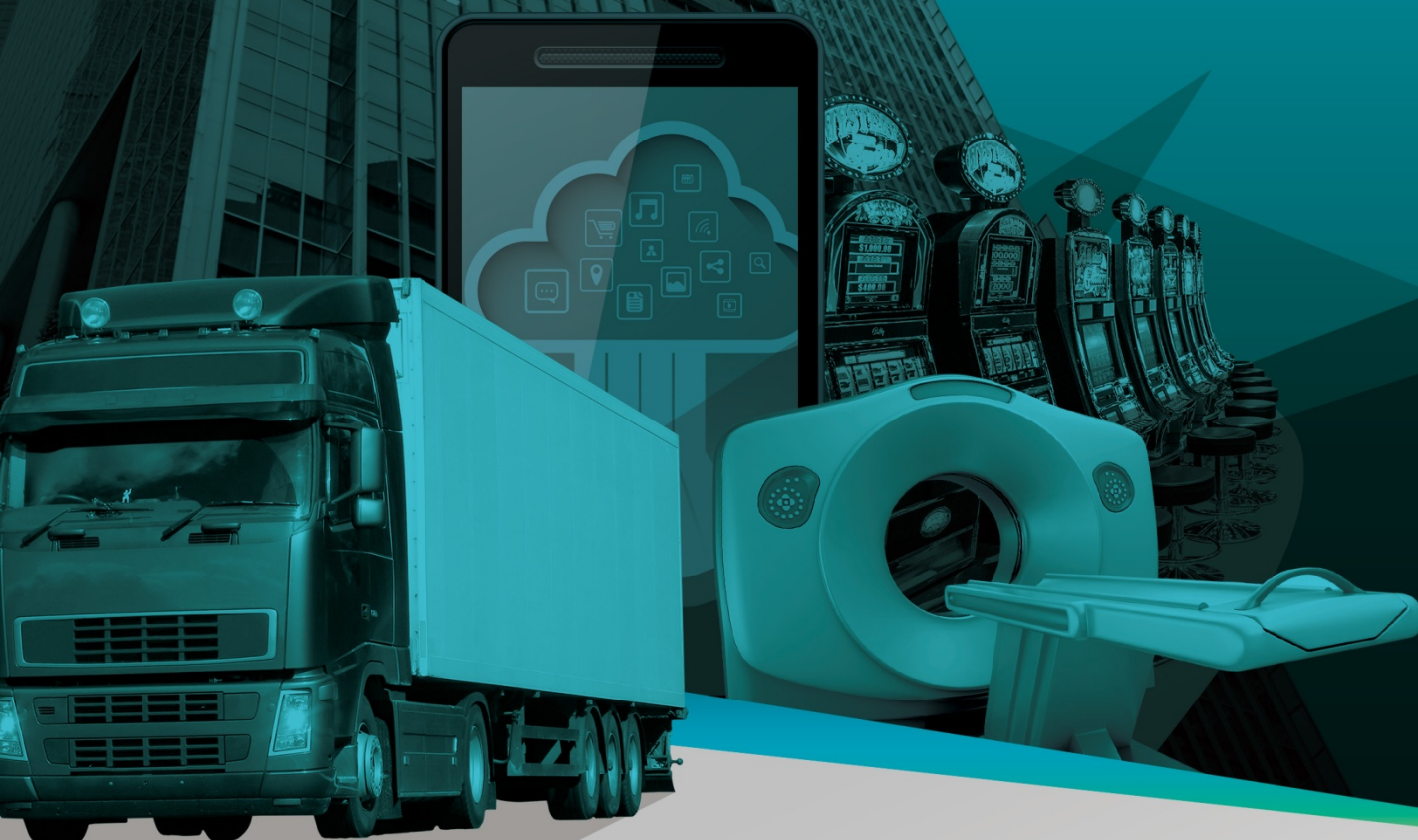


Apacer

The Most **Reliable**
Storage For Industries



ADM5S-M 40P/180D MPH



ADM5S-M 40P/180D MPH

Overview

Apacer ATA Disk Module 5S (ADM5S-M) MLC SSD delivers ultra smooth performance and extremely low power consumption. This device supports DMA mode up to UDMA 6 that offers advanced data transfer technology and internal memory efficiency, which effectively decreases the loading for the microprocessor. Compliant with ATA/ATAPI-8 standards, our ADM5S-M supports data transfer modes up to PIO 4, Multiword DMA 2, and Ultra DMA 6. Equipped with power Error Correction Coding (ECC) up to 72 bit/1KB, the ADM5S-M can provide high data integrity. Aside from data efficiency, the ADM5S-M also comes with power management. The device can work at 3.3V or 5V power supply, with the output voltage automatically adjusted by the voltage regulator in the core. In addition, the built-in ECC engine can support multi-mode correction capability up to 72 bits and perform effective decoding throughput with high reliability.



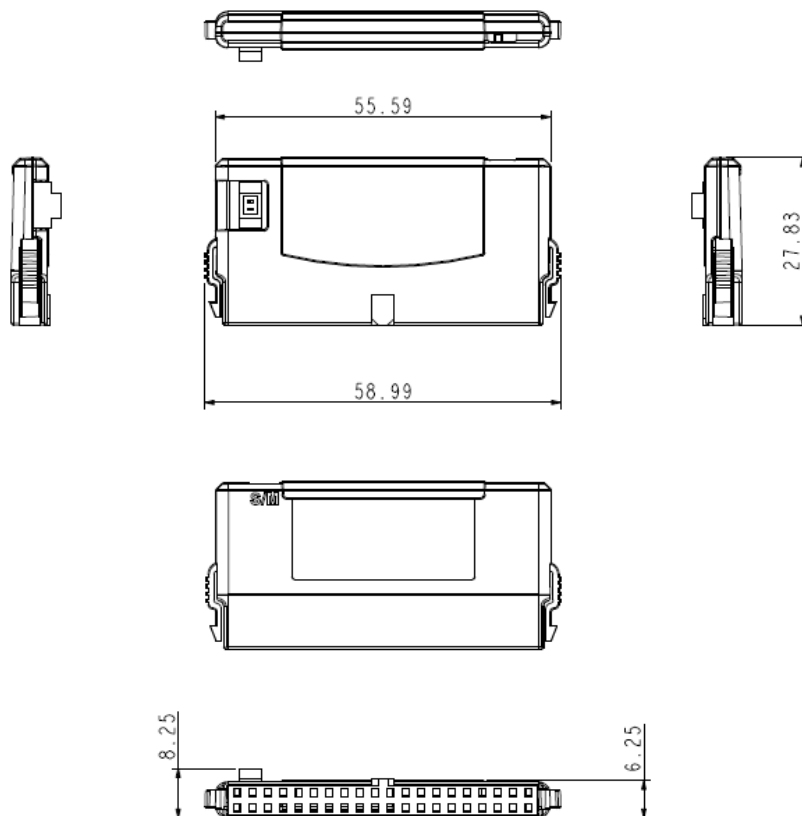
Feature

- Standard 40-pin IDE female connector
- Advanced Wear-Leveling and Block Management
- Built-in ATA Secure Erase and S.M.A.R.T. Function
- Intelligent Power Failure Recovery
- Halogen Free

Specifications

Model	ADM5S-M 40P/180D MPH
Interface	Standard ATA/IDE
Connector	40-pin
Operation Mode	PIO Mode up to 4/ Multiword DMA Mode up to 2/ Ultra DMA Mode up to 6
NAND Flash Type	MLC
Capacity	8GB~64GB
Sustained Read Performance (MB/sec)	Up to 100
Sustained Write Performance (MB/sec)	Up to 46
ECC Engine	Built-in 72-bit per 1K bytes BCH ECC
Standard Operating Temperature (°C)	0 ~ + 70
Extended Operating Temperature (°C)	-40 ~ + 85
Storage Temperature (°C)	-40 ~ + 100
Housing	Yes
H/W Write Protect	Optional
Screw Hole	NO
Shock	1500G (complied with MIL-STD810)
Vibration	15G (complied with MIL-STD810)
Operating Voltage	3.3 V ± 5% & 5 V ± 5%
Power Consumption	Active mode: 250 mA & Idle mode: 170 mA
Dimension (L x W x H)	59 x 28 x 6.25 (mm)
MTBF (hours)	>1,000,000

Mechanical Specification



Unit: mm

Ordering Info

Operation Temp.	8B	16GB	32GB	64GB
Standard Grade	AP-FM008GD5605S-4TMMH	AP-FM016GD5605S-4TMMH	AP-FM032GD5605S-4TMMH	AP-FM064GD5605S-4TMMH
Industrial Grade	AP-FM008GD5605S-4TMWMH	AP-FM016GD5605S-4TMWMH	AP-FM032GD5605S-4TMWMH	AP-FM064GD5605S-4TMWMH

Global Presence

Taiwan (Headquarters)
Apacer Technology Inc.
Tel: +886-2-2267-8000
Fax: +886-2-2267-2261

Europe
Apacer Technology B.V.
Tel: +31-40-267-0000
Fax: +31-40-290-0686

U.S.A.
Apacer Memory America, Inc.
Tel: +1-408-518-8699
Fax: 1-510-249-9551

China
Apacer Electronic(Shanghai)
Co., Ltd.
Tel: +86-21-6228-9939

Japan
Apacer Technology Corp.
Tel: +81-3-5419-2668
Fax: +81-3-5419-0018

India
Apacer Technologies Pvt. Ltd.
Tel: +91-80-41529061~3
Fax: +91-80-41700215