



Connectors > Circular Connectors > Circular Connector Accessories > Circular Connector Adapters



Compatible With Connector Shell Size: 23

Features

Product Type Features

Protection & Strain Relief Accessory Type	Coupling Ring
---	---------------

Body Features

Primary Product Material	Polyphenylene Oxide
Primary Product Color	Black

Operation/Application

Compatible With Connector Shell Size	23
--------------------------------------	----

Packaging Features

Packaging Quantity	1
--------------------	---

Product Compliance

[For compliance documentation, visit the product page on TE.com>](#)

EU RoHS Directive 2011/65/EU	Compliant
EU ELV Directive 2000/53/EC	Compliant
China RoHS 2 Directive MIIT Order No 32, 2016	No Restricted Materials Above Threshold
EU REACH Regulation (EC) No. 1907/2006	Current ECHA Candidate List: JUNE 2023 (235) Candidate List Declared Against: JUNE 2023 (235) Does not contain REACH SVHC

Halogen Content

Low Halogen - Br, Cl, F, I < 900 ppm per homogenous material. Also BFR/CFR/PVC Free

Solder Process Capability

Not applicable for solder process capability

Product Compliance Disclaimer

This information is provided based on reasonable inquiry of our suppliers and represents our current actual knowledge based on the information they provided. This information is subject to change. The part numbers that TE has identified as EU RoHS compliant have a maximum concentration of 0.1% by weight in homogenous materials for lead, hexavalent chromium, mercury, PBB, PBDE, DBP, BBP, DEHP, DIBP, and 0.01% for cadmium, or qualify for an exemption to these limits as defined in the Annexes of Directive 2011/65/EU (RoHS2). Finished electrical and electronic equipment products will be CE marked as required by Directive 2011/65/EU. Components may not be CE marked. Additionally, the part numbers that TE has identified as EU ELV compliant have a maximum concentration of 0.1% by weight in homogenous materials for lead, hexavalent chromium, and mercury, and 0.01% for cadmium, or qualify for an exemption to these limits as defined in the Annexes of Directive 2000/53/EC (ELV). Regarding the REACH Regulation, the information TE provides on SVHC in articles for this part number is based on the latest European Chemicals Agency (ECHA) 'Guidance on requirements for substances in articles' posted at this URL: <https://echa.europa.eu/guidance-documents/guidance-on-reach>

Compatible Parts



Also in the Series | AMP CPC



Circular Connector Adapters(7)



Circular Connector Caps & Covers(16)



Circular Connector Hardware(3)



Circular Connector Keying Plugs(2)



Circular Connector Seals(36)



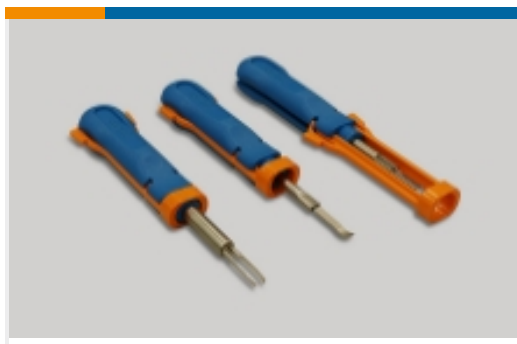
Circular Power Connectors(459)



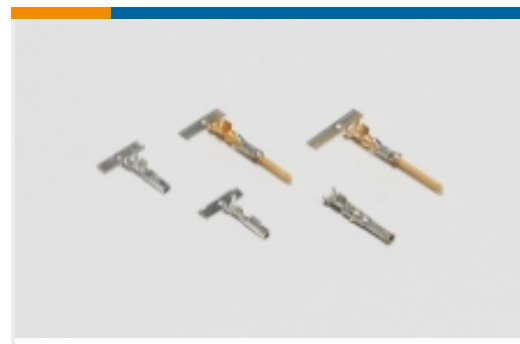
Connector Backshells(56)



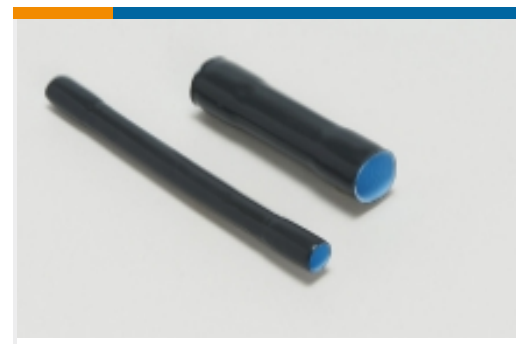
Connector Strain Relief(6)



Insertion & Extraction Tools(1)



Power Contacts(6)



Sealing Sleeves(2)

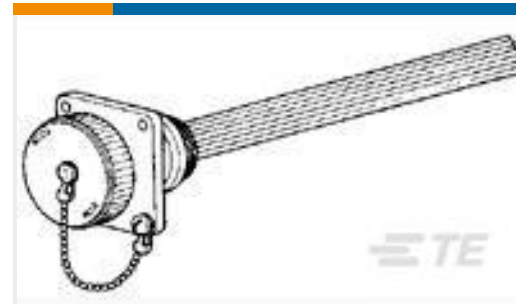
Customers Also Bought



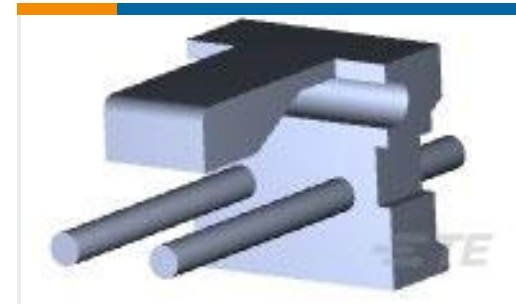
TE Part #HD34-24-18PN
REC, 18P, AL, N, 8/12/16, P



TE Part #1-66332-4
III+ PIN,24-20,TIN ,STRIP



TE Part #213485-1
CPC SEALING CAP ASSY SIZE 13



TE Part #640388-2
02P MTA156 HDR ASSY RN STR F/L



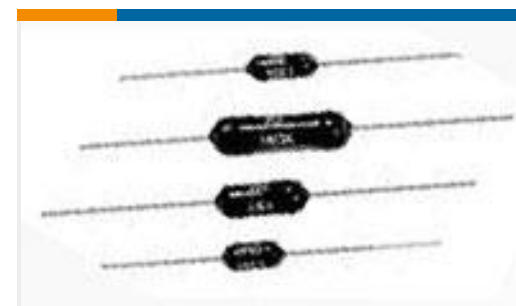
TE Part #2-1437653-5
6PCV-09-006=6PCV ASSEMBLY



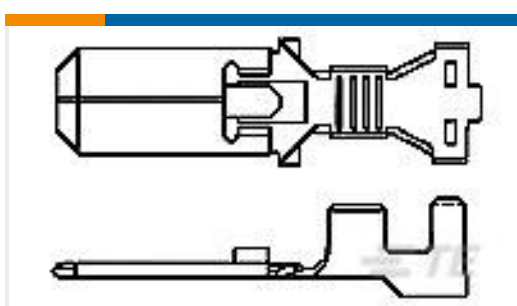
TE Part #4-1437664-1
NC6-P108-08=NC6 ASSEMBLY



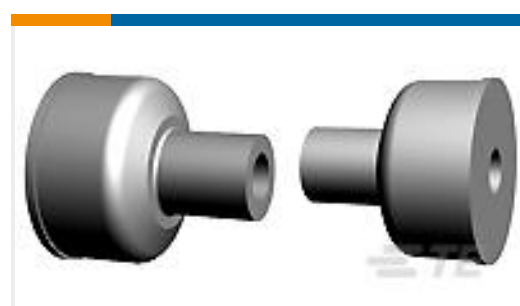
TE Part #8-1393254-1
W92-X112-5=M6/M7/M9/W6/W7



TE Part #8-1879627-9
H4P 47K 1% 100PPM



TE Part #344008-1
.250" SPEC.F.TAB (PLATED)



TE Part #347713-1
2.0MM CABLE SEAL HC SILIC

Documents

Product Drawings

[COUPLING RING,SZ 23,CPC](#)

English

CAD Files

[3D PDF](#)

English

Customer View Model

[ENG_CVM_206251-1_D.2d_dxf.zip](#)



English

Customer View Model

[ENG_CVM_206251-1_D.3d_igs.zip](#)

English

Customer View Model

[ENG_CVM_206251-1_D.3d_stp.zip](#)

English

[3D PDF](#)

3D

Customer View Model

[ENG_CVM_CVM_206251-1_Y.2d_dxf.zip](#)

English

Customer View Model

[ENG_CVM_CVM_206251-1_Y.3d_igs.zip](#)

English

Customer View Model

[ENG_CVM_CVM_206251-1_Y.3d_stp.zip](#)

English

By downloading the CAD file I accept and agree to the [Terms and Conditions](#) of use.

Instruction Sheets

[Instruction Sheet \(U.S.\)](#)

English

Agency Approvals

[CSA Certificate](#)

English

[CSA Certificate](#)

English