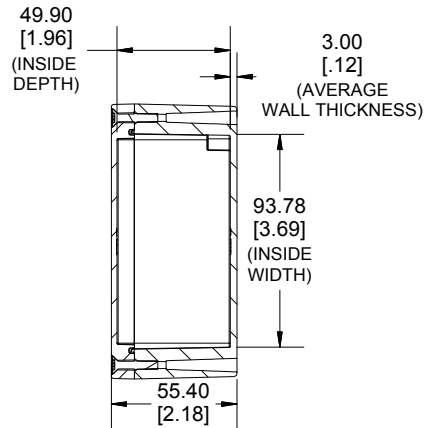
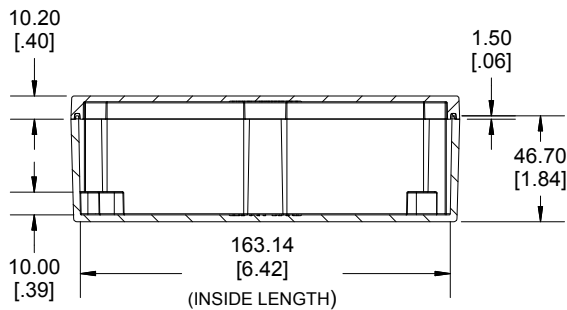


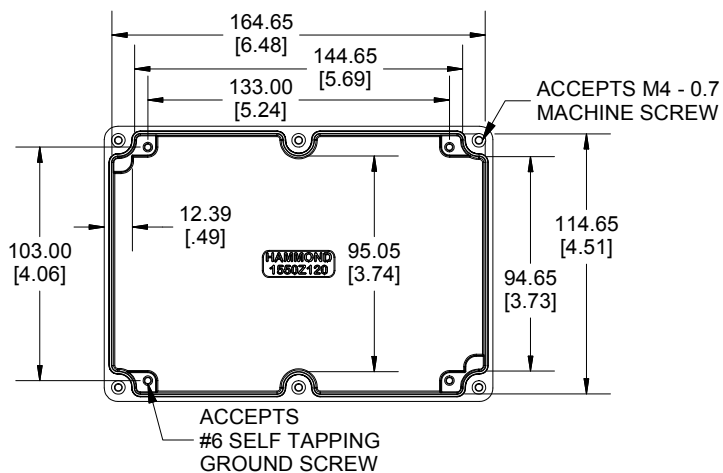
TOP VIEW



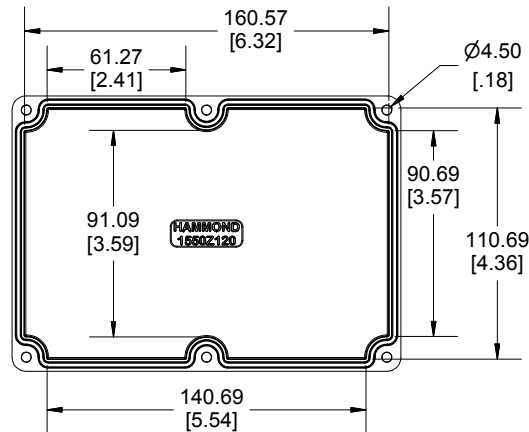
**SECTION A-A
END VIEW**



**SECTION B-B
SIDE VIEW**



INSIDE BOX



INSIDE LID

Dimensions:
mm
[inches]

NOTE: THERE ARE NO MOUNTING HOLES ON THIS BOX



Enclosures can be Factory Modified (Milling, Drilling, Printing etc.)
Contact Factory mjm@hammondmfg.com for quotes
Solid models of this enclosure available in STEP or IGES.
(Part number and text placement/orientation on our products are subject to change, we do not recommend using them as a locating reference for modification purposes)

NOTE	
Purchased assembly includes box, lid, silicone gasket, and 6 cover screws. Box and lid are made from Diecast Aluminum Alloy.	
Screws should not be torqued past 5-7.5 lbf.in (50 -75 cN.m)	
PART NUMBERS	
1550Z120 Enclosure	
Basic Enclosure	1550Z120
Black Enclosure	1550Z120BK
ACCESSORIES	
Pre-Formed Silicone Gasket (2 Pack)	1550Z120GASKET
Stainless Steel Cover screws (50 Pack) [M4 - 0.7 x 20mm]	SC1550Z103-50
Ground Hardware (50 Pack) [Copper #6-32X5/16 Self-Tapping / #6 Bronze lock Washer]	SCG060-50

1550Z120
www.hammondmfg.com