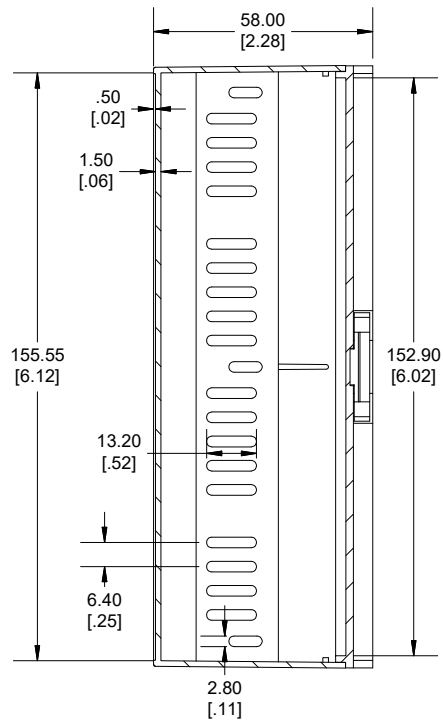
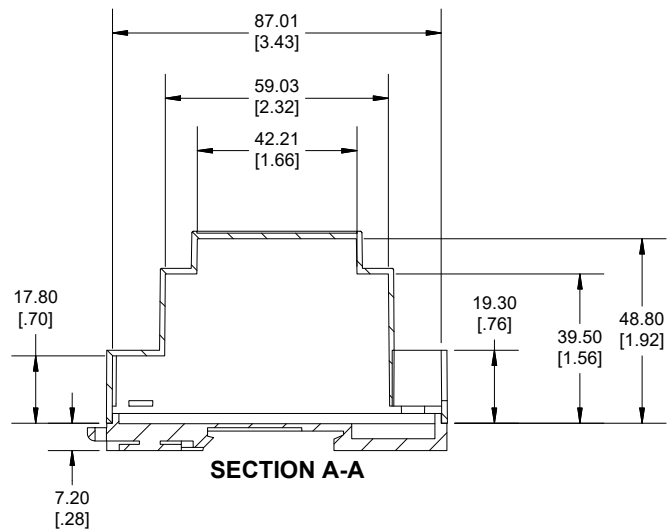
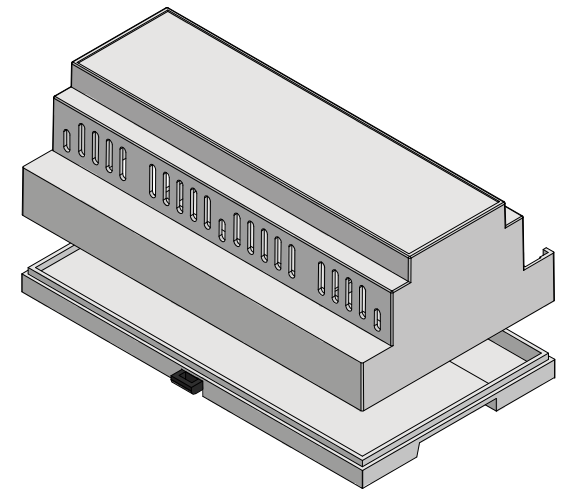


TOP VIEW



SECTION B-B



SECTION A-A

Enclosures can be Factory Modified (Milling, Drilling, Printing etc.)  
 Contact Factory (modshop@hammfg.com) for quotes  
 Solid models of this enclosure available in .stp or .x\_t  
 (Part number and text placement/orientation on our products are subject to change,  
 we do not recommend using them as a locating reference for modification purposes)

**NOTE**

Purchased enclosure includes base, cover and din clip.  
 Cover and base made from PPO.

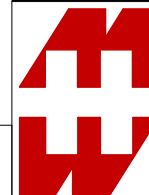
**PART NUMBERS**

**1597DIN**

Enclosure grey Module 9	1597DIN9MHC53V
-------------------------	----------------

**ACCESSORIES**

TERMINAL COVER BLANK CLOSED	1597D3MTC
TERMINAL COVER WITH HOLES	1597D3MTC6
TERMINAL COVER WITH PUNCH-OUT HOLES	1597D3MTCCKO
TERMINAL COVER WITH BUS CONNECTOR	1597D3MBC
TERMINAL COVER BLANK OPEN	1597D3MTCP
BREAD BOARD	1597D4MADP
DIN CLIP	1597DINCLIPXT



**HAMMOND  
 MANUFACTURING®**

**1597DIN9MHC53V**

[www.hammondmfg.com](http://www.hammondmfg.com)

TERMINAL COVER  
 DRAWINGS ARE  
 AVAILABLE

**Dimensions:**  
 mm  
 [inches]