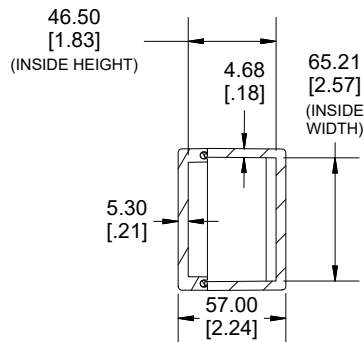
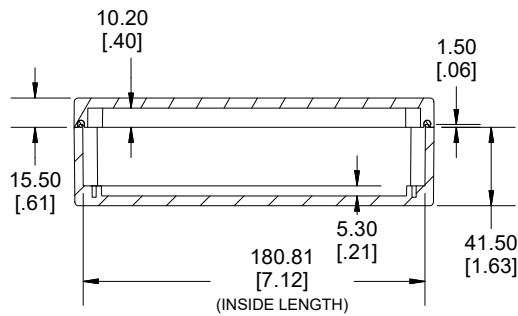
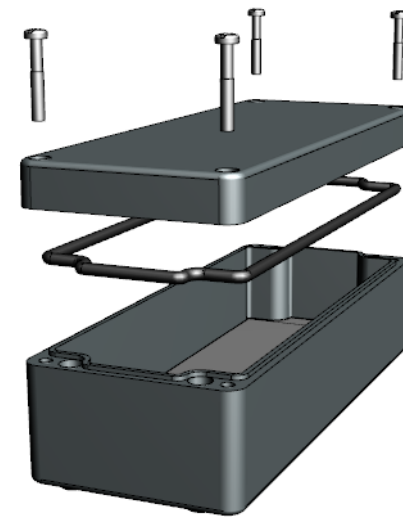


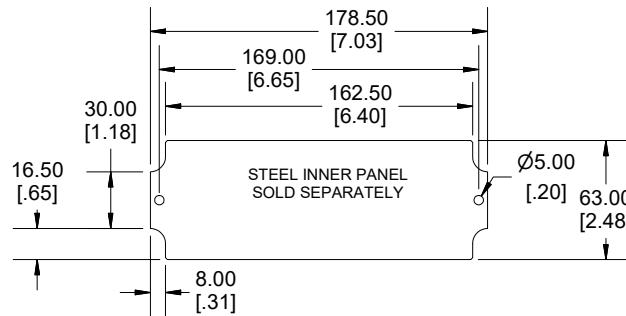
TOP VIEW



SECTION B-B  
END VIEW



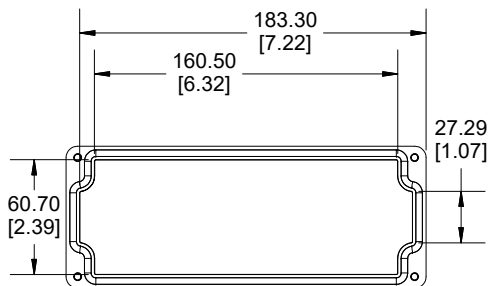
SECTION A-A  
SIDE VIEW



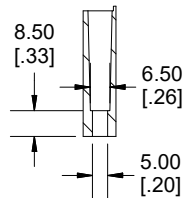
Enclosures can be Factory Modified (Milling, Drilling, Printing etc.)  
Contact Factory (modshop@hammfg.com) for quotes  
Solid models of this enclosure available in .stp or .x\_t  
(Part number and text placement/orientation on our products are subject to change.  
We do not recommend using them as a locating reference for modification purposes)

NOTE	
Purchased assembly includes Box, Lid, Gasket and 4 cover screws	
Enclosure Molded from Glass Reinforced Polyester	
<b>Recommended cover screw torque 8.8-13.3 lbf.in (100-150 cN.m)</b>	

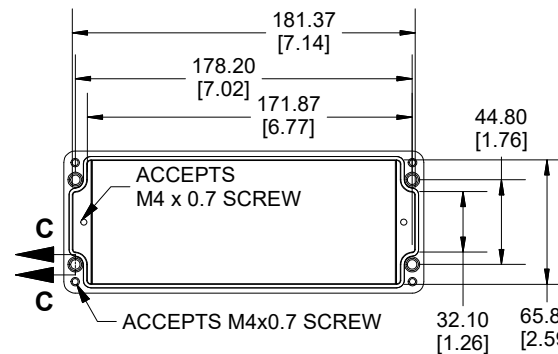
PART NUMBERS	
1590ZGRP131 Enclosure	
Black Enclosure	1590ZGRP131BK
ACCESSORIES	
Copper Ground Hardware (50 Pack) [M4 - 0.7 X 6mm / M4 Washer]	SCGM4-50
Stainless Steel Cover Screw (50 Pack) [M4 - 0.7 x 25mm]	SC583-50
Steel Inner Panel	1590ZGRP131PL
Hinge Kit Black (2 Pack)	1427HKBK



INSIDE LID



SECTION C-C  
MOUNTING HOLE



INSIDE BOX

Dimensions:  
mm  
[inches]

**1590ZGRP131BK**  
www.hammondmfg.com