

T1440101116-000 ✓ ACTIVE

HDC | HDC IP65

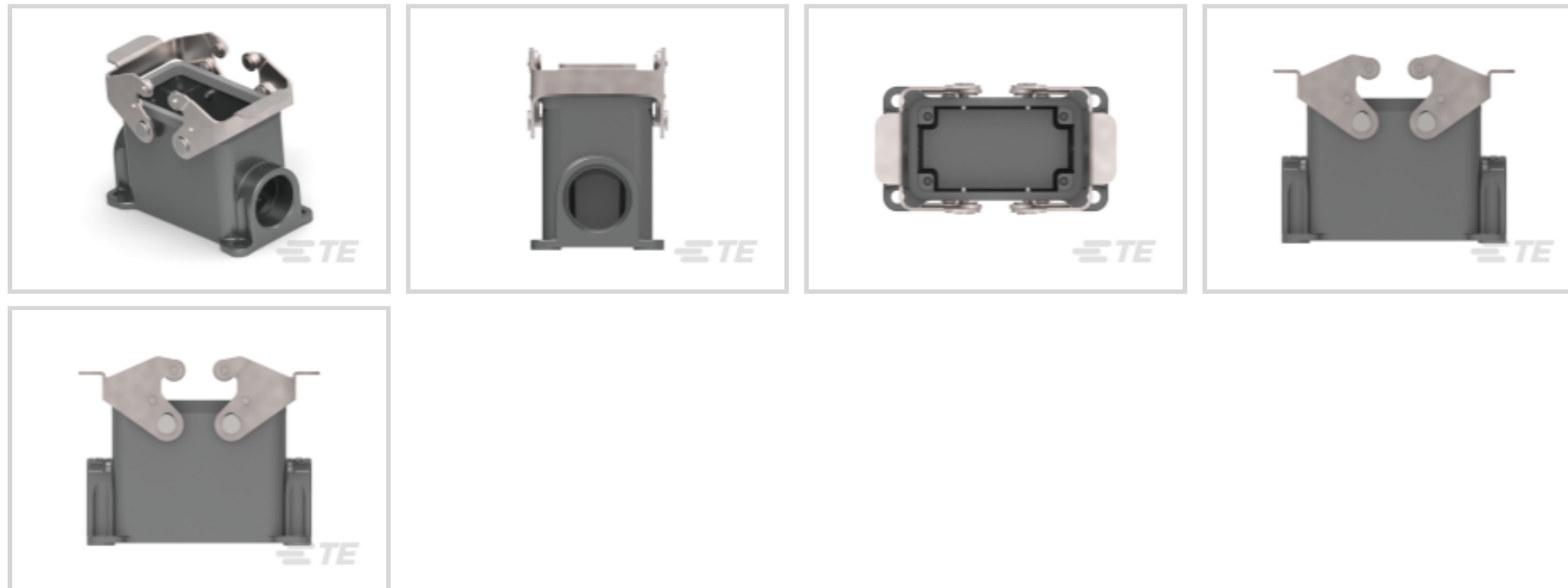
TE Internal #: T1440101116-000

TE Internal Description: H10B-SGRS-PG16

[View on TE.com >](#)



Connectors > Rectangular Connectors > Rectangular Connector Hoods & Bases



Hood & Base Connector Product Type: **Base Housing**

Cable Entry Location: **Side**

Hood & Base Locking Device Type: **Locking Clip**

Sealable: **Yes**

Circuit Application: **Power & Signal**

Features

Product Type Features

Product Size	4
Hood & Base Connector Product Type	Base Housing
Sealable	Yes

Body Features

Material	Die Cast Aluminum
Cable Entry Location	Side

Mechanical Attachment

Screw & Hole Thread Size	PG16
Hood & Base Locking Device Type	Locking Clip

Usage Conditions

Corrosion Protected	Yes
---------------------	-----

Operation/Application

Circuit Application	Power & Signal
---------------------	----------------

Product Compliance



[For compliance documentation, visit the product page on TE.com>](#)

EU RoHS Directive 2011/65/EU	Compliant
EU ELV Directive 2000/53/EC	Compliant
China RoHS 2 Directive MIIT Order No 32, 2016	No Restricted Materials Above Threshold
EU REACH Regulation (EC) No. 1907/2006	Current ECHA Candidate List: JAN 2021 (211) Candidate List Declared Against: JAN 2021 (211) Does not contain REACH SVHC
Halogen Content	Not Yet Reviewed for halogen content
Solder Process Capability	Not reviewed for solder process capability

Product Compliance Disclaimer

This information is provided based on reasonable inquiry of our suppliers and represents our current actual knowledge based on the information they provided. This information is subject to change. The part numbers that TE has identified as EU RoHS compliant have a maximum concentration of 0.1% by weight in homogenous materials for lead, hexavalent chromium, mercury, PBB, PBDE, DBP, BBP, DEHP, DIBP, and 0.01% for cadmium, or qualify for an exemption to these limits as defined in the Annexes of Directive 2011/65/EU (RoHS2). Finished electrical and electronic equipment products will be CE marked as required by Directive 2011/65/EU. Components may not be CE marked. Additionally, the part numbers that TE has identified as EU ELV compliant have a maximum concentration of 0.1% by weight in homogenous materials for lead, hexavalent chromium, and mercury, and 0.01% for cadmium, or qualify for an exemption to these limits as defined in the Annexes of Directive 2000/53/EC (ELV). Regarding the REACH Regulation, the information TE provides on SVHC in articles for this part number is based on the latest European Chemicals Agency (ECHA) 'Guidance on requirements for substances in articles' posted at this URL: <https://echa.europa.eu/guidance-documents/guidance-on-reach>

Compatible Parts

 <p>TE Part # T2040102201-000 HE-010-F</p>	 <p>TE Part # T1010102100-000 H10B-KDBP</p>	 <p>TE Part # T1210100116-000 H10B-TS-PG16</p>	 <p>TE Part # T3609160101-000 DLX-16-MS</p>
---	--	---	--

Also in the Series | HDC IP65



Rectangular Connector Hoods & Bases
(1258)

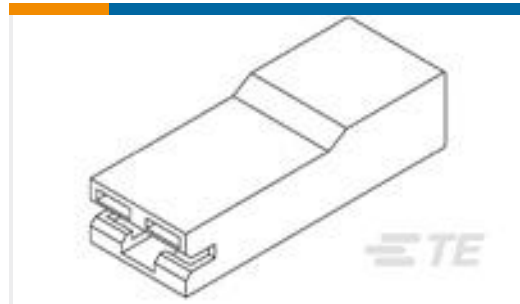
Customers Also Bought



TE Part #1-880488-5
FASTON 187 HOUSING RECEPTACLE



TE Part #5-747908-5
15 Plug Solder Cup, 30 gold, R



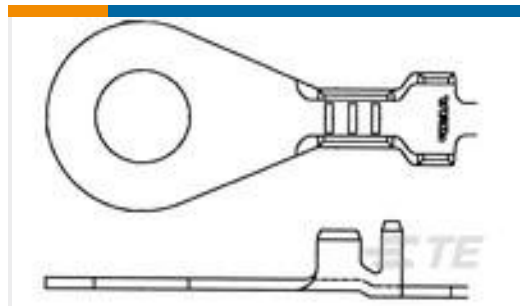
TE Part #521120-8
PL 250 HOUSING RECEPTACLE
NYLON 6/6



TE Part #626029-1
RING TONGUE TERMINAL 0.5 / 1.5
MM2 BR



TE Part #626581-2
POSITIVE LOCK REC. MKII 250 S.



TE Part #880630-1
RING TONGUE



TE Part #T0931100425-000
CODING-PIN-M3-LTM



TE Part #T0931106527-000
CODING-PIN-M3-LTF



TE Part #T1210100116-000
H10B-TS-PG16



TE Part #T2040482101-000
HE-024-M 25-48

Documents

Product Drawings

[H10B-SGRS-PG16](#)

English

CAD Files

[3D PDF](#)

[3D](#)

[Customer View Model](#)

[ENG_CVM_CVM_T1440101116-000_A.2d_dxf.zip](#)



English

Customer View Model

[ENG_CVM_CVM_T1440101116-000_A.3d_igs.zip](#)

English

Customer View Model

[ENG_CVM_CVM_T1440101116-000_A.3d_stp.zip](#)

English

By downloading the CAD file I accept and agree to the [Terms and Conditions](#) of use.

Datasheets & Catalog Pages

Heavy Duty Connectors

English

HEAVY DUTY CONNECTORS

English

Product Specifications

Application Specification

English