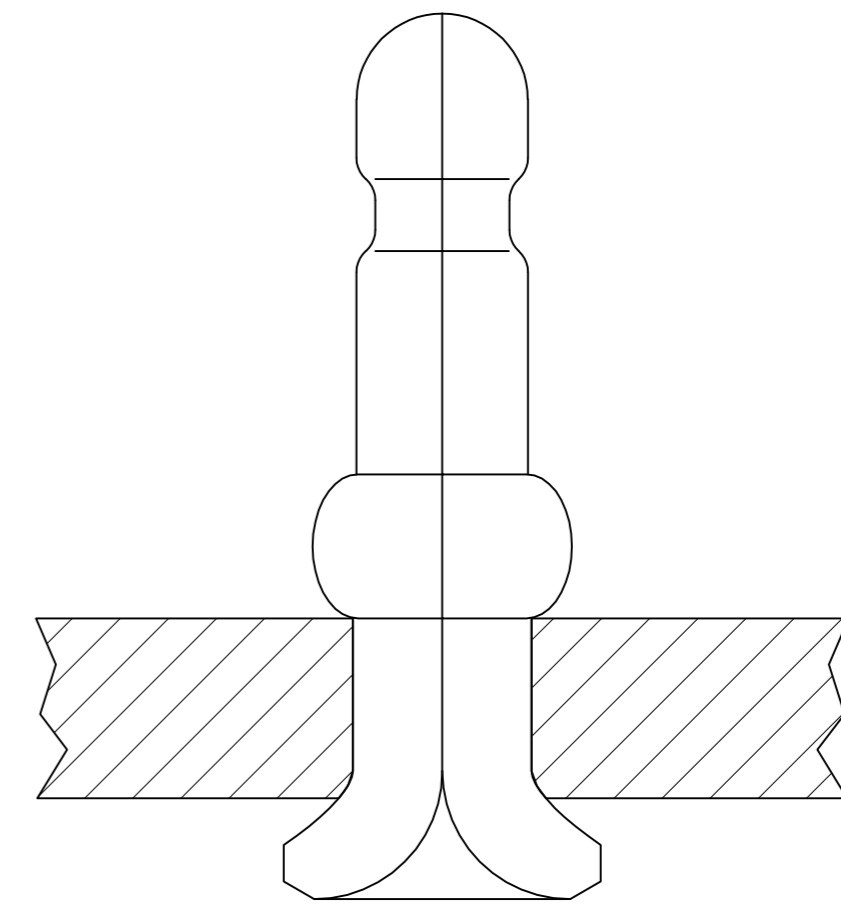
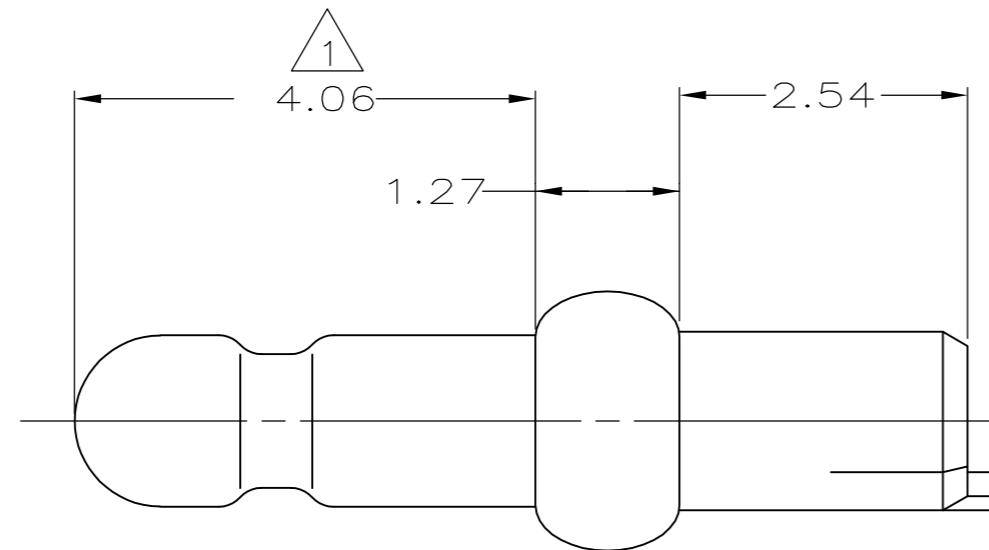
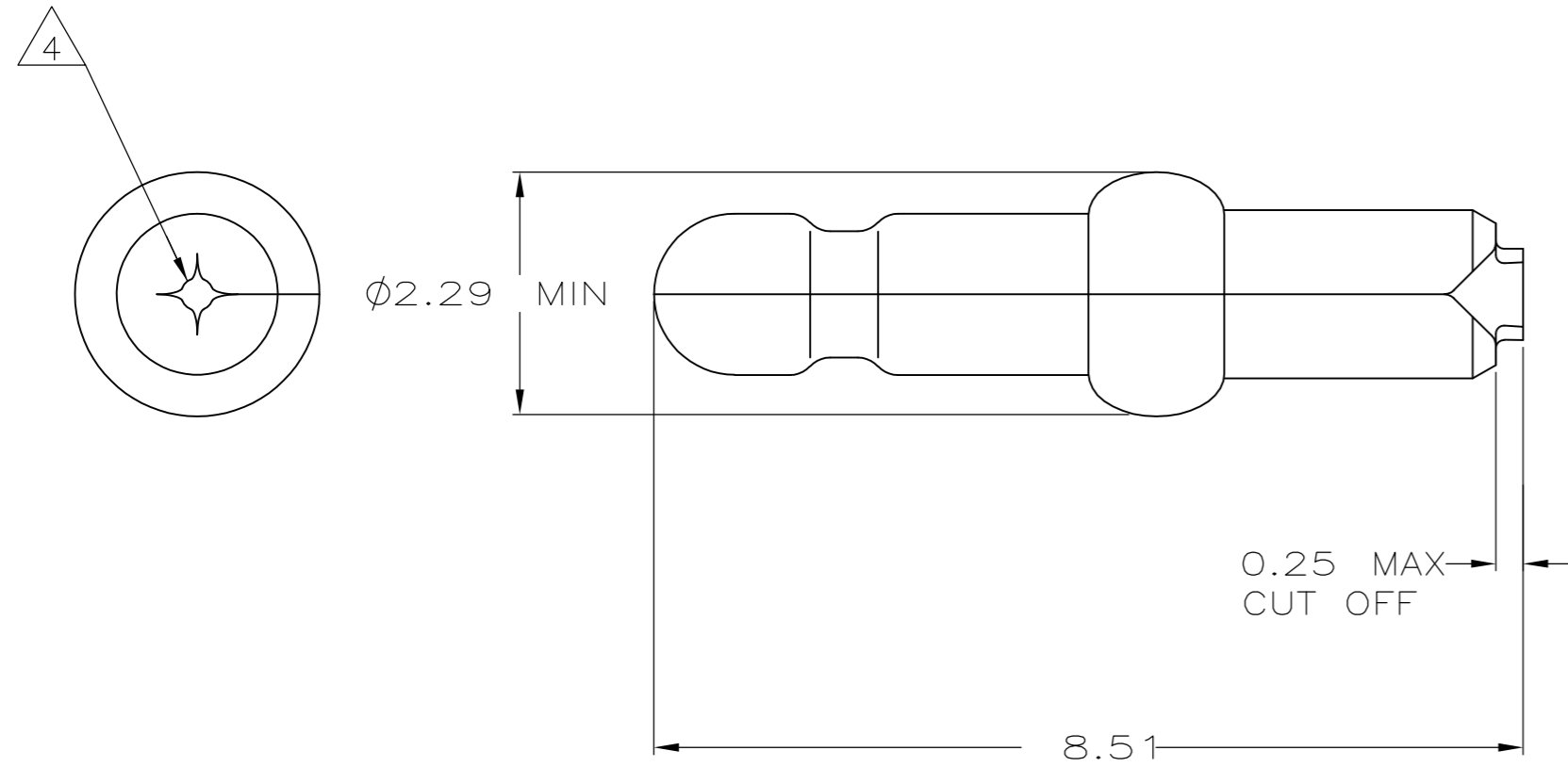


THIS DRAWING IS UNPUBLISHED. RELEASED FOR PUBLICATION
 © COPYRIGHT - By - ALL RIGHTS RESERVED.

LOC		DIST		REVISIONS			
P	LTR	DESCRIPTION		DATE	DWN	APVD	
CM	52	U		REVISED PER ECO-11-008598	21JUL11	JR	SM

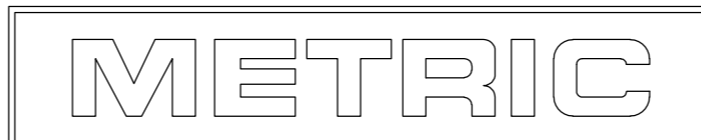
- 1 0.00076 MIN GOLD PLATING IN THIS AREA WITH 0.00381 MIN MATTE TIN LEAD ON THE REMAINDER, BOTH OVER 0.00127 MIN NICKEL UNDERPLATE.
- 2 FITS 1.70 - 1.85 DIAMETER HOLE IN A 1.57 PRINTED CIRCUIT BOARD.
- 3 PARTS TO COMPLY WITH AMP SOLDERABILITY SPECIFICATION 109-11-3.
- 4 0.05 - 0.25 DIAMETER OPENING REQUIRED IN TIP OF PIN.
- 5 0.00076 MIN GOLD PLATING IN THIS AREA WITH 0.00381 MIN MATTE TIN ON THE REMAINDER, BOTH OVER 0.00127 MIN NICKEL UNDERPLATE.



OBSOLETE		3-61097-2
SUPERSEDED BY	61097-1	PRE TIN 3-61097-1
OBSOLETE		61097-2
	PRE TIN	61097-1
	FINISH	PART NUMBER

0.13	.005	1.70	.067	8.51	.335	-	-
0.05	.002	1.57	.062	4.06	.160	-	-
0.00381	0.000150	1.47	.058	2.54	.100	-	-
0.00127	0.000050	1.27	.050	2.29	.090	-	-
0.00076	0.000030	0.25	.010	1.85	.073	-	-
MM	IN	MM	IN	MM	IN	MM	IN

CONVERSION TABLE



THIS DRAWING IS A CONTROLLED DOCUMENT.		DWN	T. BECK	8-22-97		TE Connectivity		
DIMENSIONS: mm		CHK	R. SWING	8-22-97		NAME		
TOLERANCES UNLESS OTHERWISE SPECIFIED:		APVD	A. BEDDICK	9-10-97		PIN, .058 DIAMETER, PHOSPHOR BRONZE, CLINCH FIT, LOOSE PIECE, P.C. CONTACT		
		PRODUCT SPEC	108-1025	APPLICATION SPEC		SIZE	CAGE CODE	DRAWING NO
MATERIAL: 0.25 PH BRZ		FINISH	SEE TABLE	WEIGHT	-	A2	00779	
		CUSTOMER DRAWING		SCALE	15:1	SHEET	1 of 1	
				RESTRICTED TO	-	REV	U	