



Terminals & Splices > Terminal Housings, Insulation Sleeves & Blocks > Crimp Terminal Housings



Terminal Type: **Receptacle**

Connector & Housing Type: **Receptacle**

Number of Positions: **1**

Terminal Orientation: **Straight**

UL Flammability Rating: **UL 94V-0**

### Features

#### Product Type Features

|          |    |
|----------|----|
| Sealable | No |
|----------|----|

|                          |            |
|--------------------------|------------|
| Connector & Housing Type | Receptacle |
|--------------------------|------------|

#### Configuration Features

|                     |   |
|---------------------|---|
| Number of Positions | 1 |
|---------------------|---|

#### Body Features

|                       |         |
|-----------------------|---------|
| Primary Product Color | Natural |
|-----------------------|---------|

#### Contact Features

|               |            |
|---------------|------------|
| Terminal Type | Receptacle |
|---------------|------------|

|                      |          |
|----------------------|----------|
| Terminal Orientation | Straight |
|----------------------|----------|

|                          |         |
|--------------------------|---------|
| Contact Mating Retention | Without |
|--------------------------|---------|

#### Mechanical Attachment

|                  |      |
|------------------|------|
| Mating Alignment | With |
|------------------|------|

|                         |                            |
|-------------------------|----------------------------|
| Connector Mounting Type | Cable Mount (Free-Hanging) |
|-------------------------|----------------------------|



### Housing Features

|                  |               |
|------------------|---------------|
| Housing Material | Polypropylene |
|------------------|---------------|

### Dimensions

|                |                  |
|----------------|------------------|
| Product Width  | 5.71 mm          |
| Product Length | 9.11 mm[.358 in] |

### Usage Conditions

|                             |                            |
|-----------------------------|----------------------------|
| Operating Temperature Range | -40 – 105 °C[-40 – 221 °F] |
|-----------------------------|----------------------------|

### Industry Standards

|                        |          |
|------------------------|----------|
| UL Flammability Rating | UL 94V-0 |
|------------------------|----------|

### Packaging Features

|                    |      |
|--------------------|------|
| Packaging Quantity | 5000 |
|--------------------|------|

## Product Compliance

[For compliance documentation, visit the product page on TE.com>](#)

|   |   |
|---|---|
| EU RoHS Directive 2011/65/EU                  | Compliant   |
| EU ELV Directive 2000/53/EC                   | Compliant   |
| China RoHS 2 Directive MIIT Order No 32, 2016 | No Restricted Materials Above Threshold   |
| EU REACH Regulation (EC) No. 1907/2006        | Current ECHA Candidate List: JAN 2023 (233)<br>Candidate List Declared Against: JAN 2023 (233)<br>Does not contain REACH SVHC |
| Halogen Content                               | Low Halogen - Br, Cl, F, I < 900 ppm per homogenous material. Also BFR/CFR/PVC Free   |
| Solder Process Capability                     | Not applicable for solder process capability  |

#### Product Compliance Disclaimer

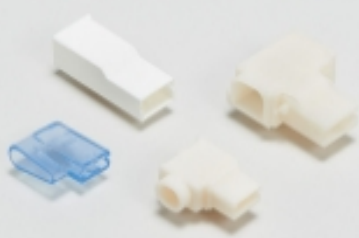
This information is provided based on reasonable inquiry of our suppliers and represents our current actual knowledge based on the information they provided. This information is subject to change. The part numbers that TE has identified as EU RoHS compliant have a maximum concentration of 0.1% by weight in homogenous materials for lead, hexavalent chromium, mercury, PBB, PBDE, DBP, BBP, DEHP, DIBP, and 0.01% for cadmium, or qualify for an exemption to these limits as defined in the Annexes of Directive 2011/65/EU (RoHS2). Finished electrical and electronic equipment products will be CE marked as required by Directive 2011/65/EU. Components may not be CE marked. Additionally, the part numbers that TE has identified as EU ELV compliant have a maximum concentration of 0.1% by weight in homogenous materials for lead, hexavalent chromium, and mercury, and 0.01% for cadmium, or qualify for an exemption to these limits as defined in the Annexes of Directive 2000/53/EC (ELV). Regarding the REACH Regulation, the information TE provides on SVHC in articles for this part number is based on the latest European Chemicals Agency (ECHA) 'Guidance on requirements for substances in articles' posted at this URL: <https://echa.europa.eu/guidance-documents/guidance-on-reach>

## Compatible Parts




TE Part # 2238174-3  
187 FASTON,REC.,24-14 AWG,TPBR


## Also in the Series | FASTON 187




Crimp Terminal Housings(41)




Insertion & Extraction Tools(1)



Joints & Splices(1)



PCB Terminals(42)



Quick Disconnects(209)

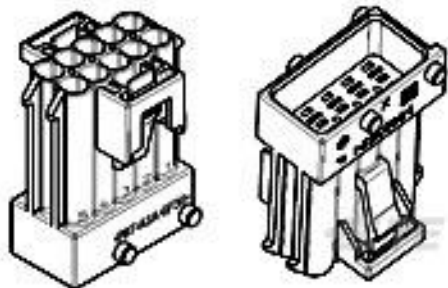


Splices(1)

## Customers Also Bought



TE Part #DT04-3P-CE02  
REC, 3P, BLK, E



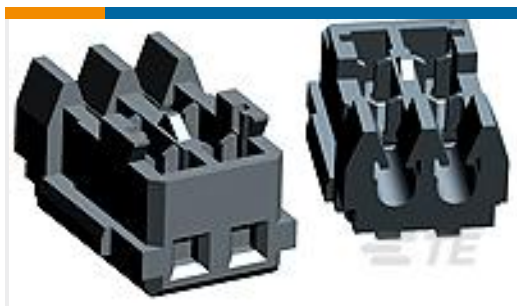
TE Part #1-962349-1  
6P STIFT-GEH 3MM



TE Part #5-160490-2  
187 FASTON REC 20-16 AWG TPBR



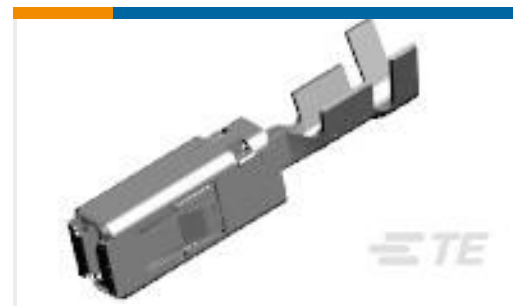
TE Part #1-353293-8  
MINI CT MT REC ASSY 18P GRAY



TE Part #353293-6  
MINI CT MT REC ASSY 6P GRAY



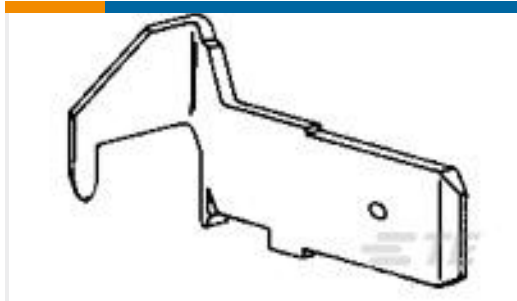
TE Part #4-1625886-4  
1W SM M/OX 5% 82R



TE Part #1241388-2  
AMP MCP 2.8K, CONTACT



TE Part #1445022-7  
MICRO MNL RFECEPT HSG SINGLE R



TE Part #160650-2  
250 FASTON,PCB TAB,TNBR



TE Part #6-1618390-8  
LEV200H4ANA, RELAY SPST-NO

## Documents

### Product Drawings

[187 FASTON HSG.,REC.,1 POS,NATRUAL](#)

English

### CAD Files

[3D PDF](#)

3D

Customer View Model

[ENG\\_CVM\\_CVM\\_154512-2\\_M.2d\\_dxf.zip](#)

English

Customer View Model

[ENG\\_CVM\\_CVM\\_154512-2\\_M.3d\\_igs.zip](#)

English

Customer View Model

[ENG\\_CVM\\_CVM\\_154512-2\\_M.3d\\_stp.zip](#)

English

By downloading the CAD file I accept and agree to the [Terms and Conditions](#) of use.

### Product Specifications

[.110,.187 & 250 Series FASTON Terminals](#)

English

[Product Specification](#)

English