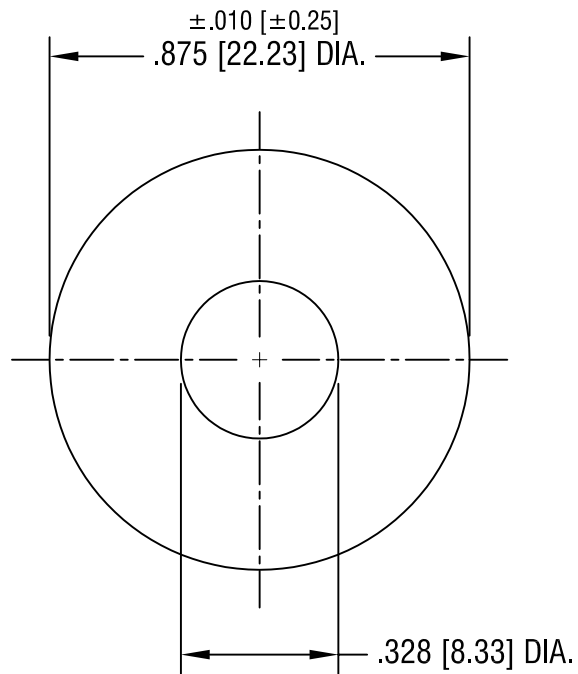


THIS DOCUMENT IS THE PROPERTY OF
KEYSTONE ELECTRONICS CORP. AND
SHALL NOT BE REPRODUCED, DISTRIBUTED
OR USED AS A BASIS FOR MANUFACTURE
WITHOUT PRIOR WRITTEN PERMISSION
FROM KEYSTONE ELECTRONICS CORP.



KEYSTONE ELECTRONICS CORP.

ASTORIA, N.Y. 11105-2017

PART NAME

INSULATOR

MATERIAL

.003 [0.07] TH'K MICA

FINISH

-

DRN BY

BOONE

DATE

10.4.02

APPD

SCALE

2.5X

TOLERANCES

INCH [MM]

CODE

DWG NO.

DECIMAL $\pm .005 [\pm 0.15]$

C/M

ANGULAR $\pm 1^\circ$
UNLESS OTHERWISE SPECIFIED

4683

DATE

DESCRIPTION

REV.