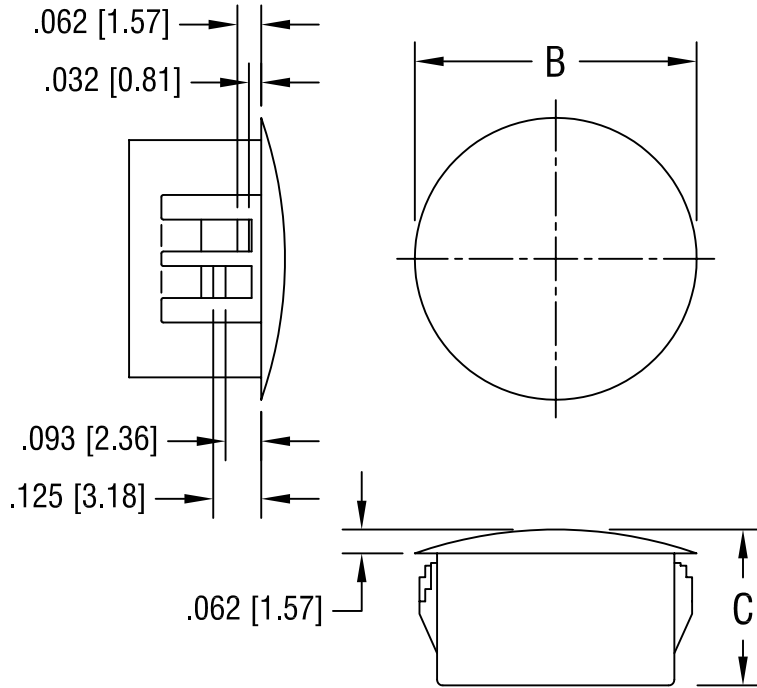


THIS DOCUMENT IS THE PROPERTY OF
KEYSTONE ELECTRONICS CORP. AND
SHALL NOT BE REPRODUCED, DISTRIBUTED
OR USED AS A BASIS FOR MANUFACTURE
WITHOUT PRIOR WRITTEN PERMISSION
FROM KEYSTONE ELECTRONICS CORP.



PART NO.	'B' DIA.	'C' DIM.
8600	.312 [7.92]	.312 [7.92]
8601	.375 [9.53]	.312 [7.92]
8602	.468 [11.89]	.406 [10.31]
8603	.578 [14.68]	.406 [10.31]
8604	.734 [18.64]	.406 [10.31]
8605	.921 [23.39]	.406 [10.31]
8606	1.015 [25.78]	.453 [11.51]
8607	1.203 [30.56]	.453 [11.51]
8608	1.218 [30.94]	.453 [11.51]
8609	1.375 [34.93]	.453 [11.51]
8610	1.500 [38.10]	.453 [11.51]
8611	1.671 [42.44]	.453 [11.51]

KEYSTONE ELECTRONICS CORP.

ASTORIA, N.Y. 11105-2017

PART NAME

HOLE PLUG

MATERIAL

NYLON 6/6, BLACK UL 94V-2

FINISH

MATTE FINISH

DRN BY

BOONE

DATE

8.11.97

APPD

LN

SCALE

-

TOLERANCES

INCH [MM]

DECIMAL $\pm .015$ [± 0.38]

ANGULAR $\pm 1^\circ$

UNLESS OTHERWISE SPECIFIED

CODE

C/M

DWG NO.

8600-8611

DATE

DESCRIPTION

REV.