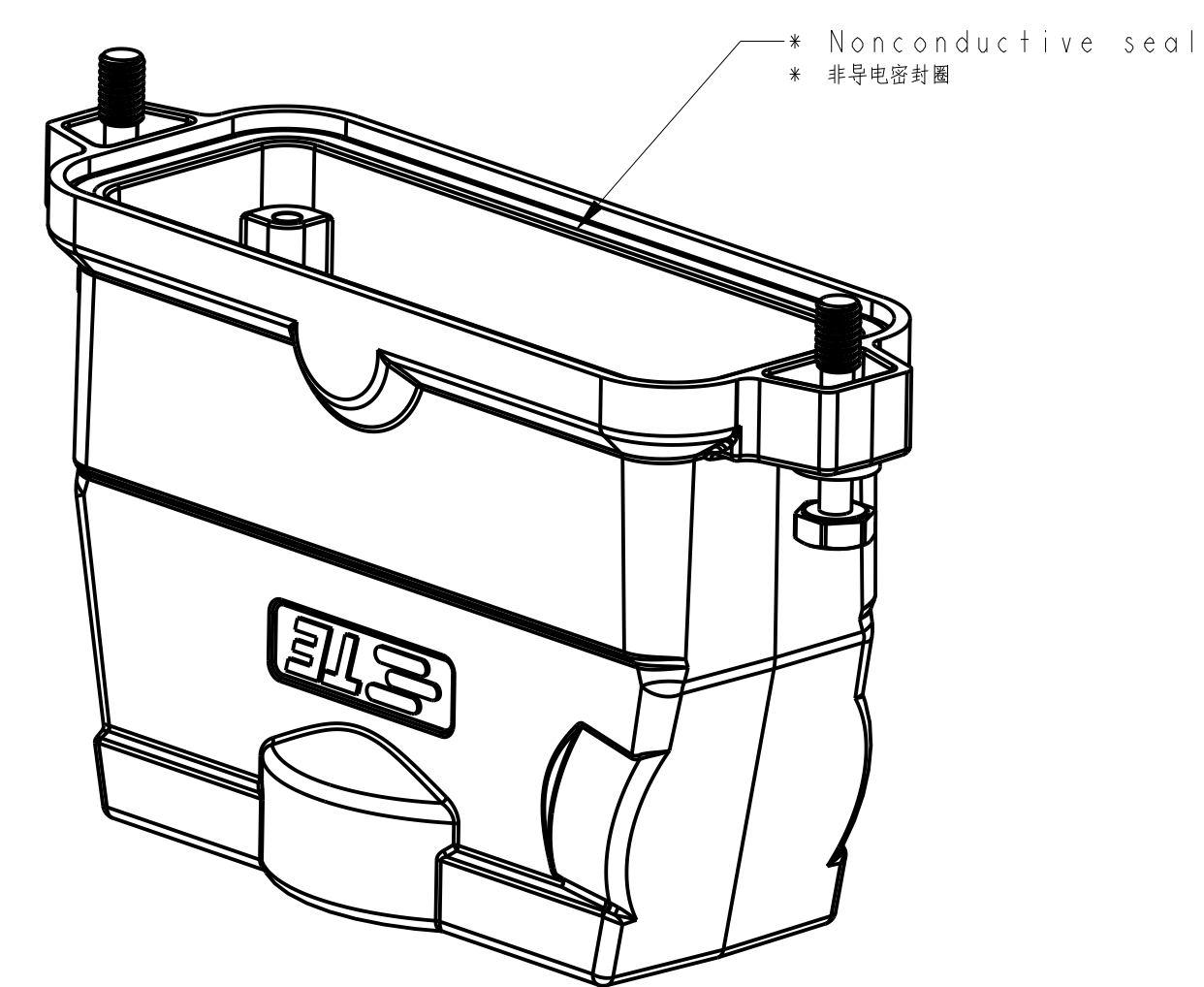
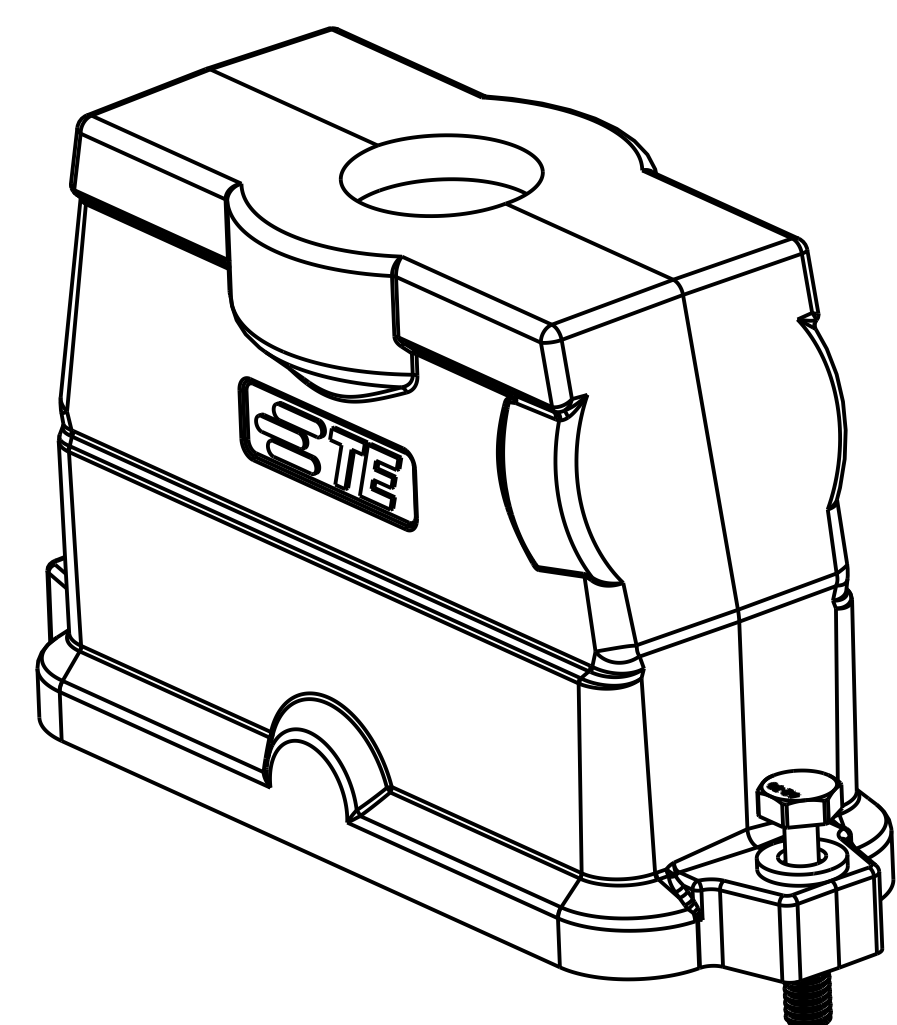
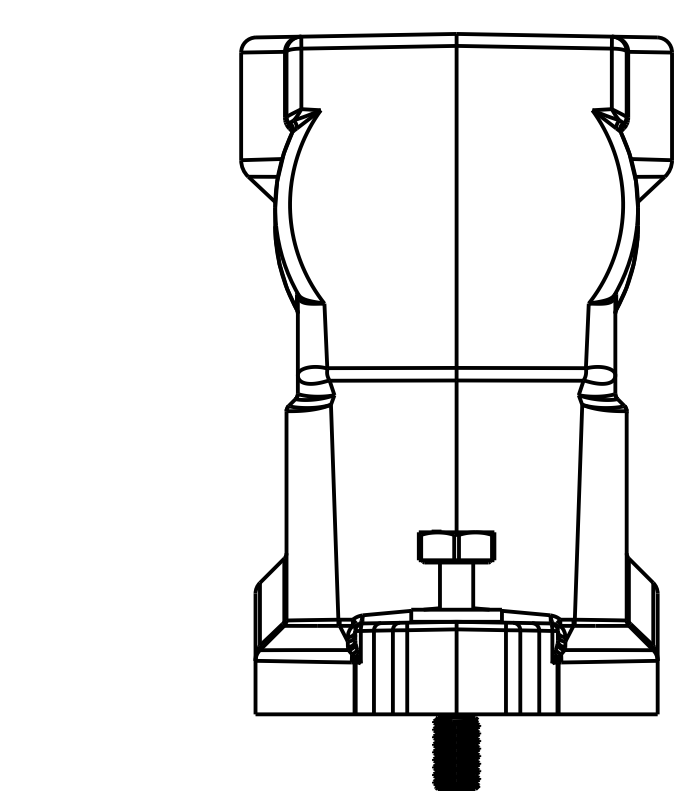
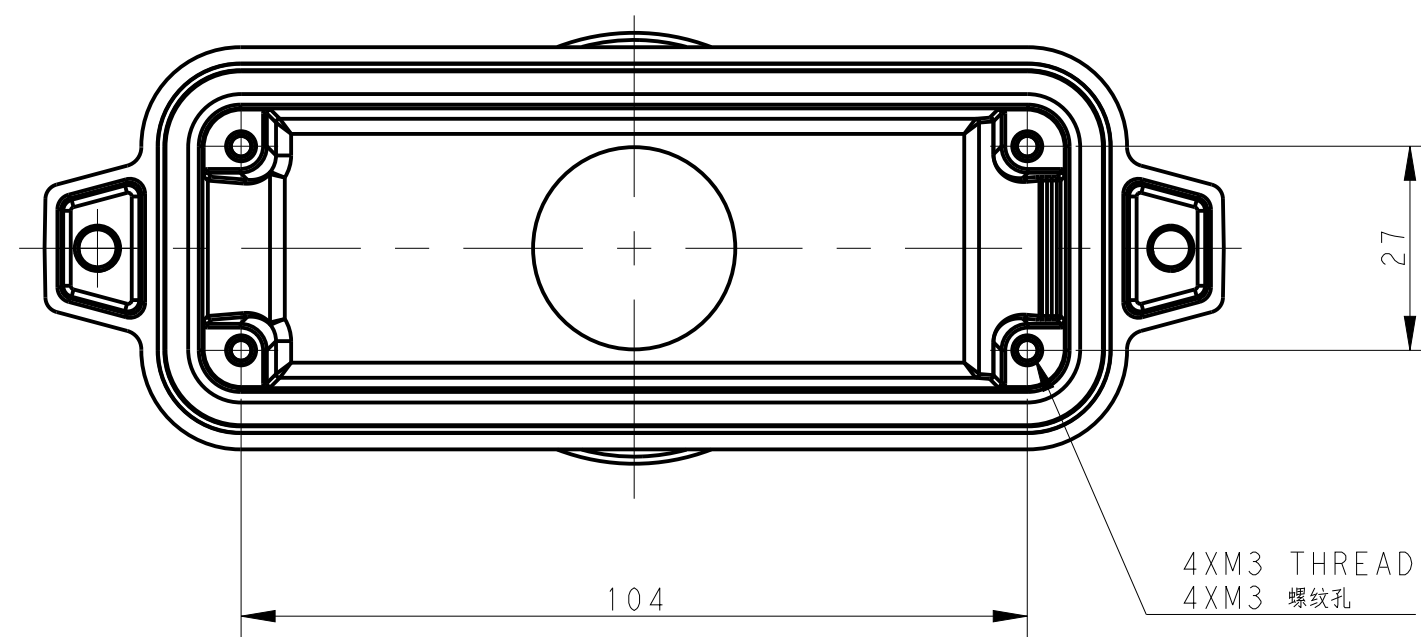
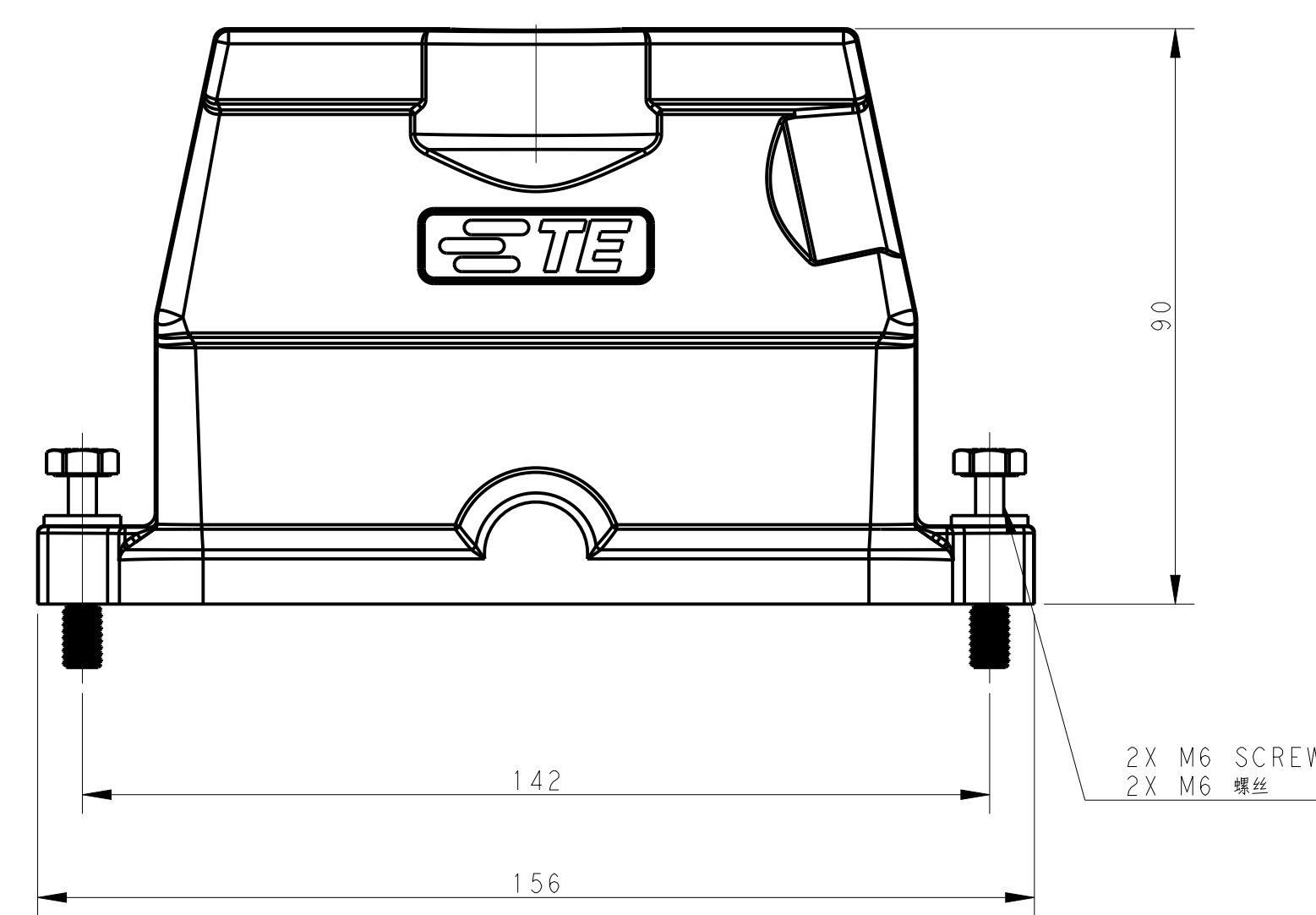
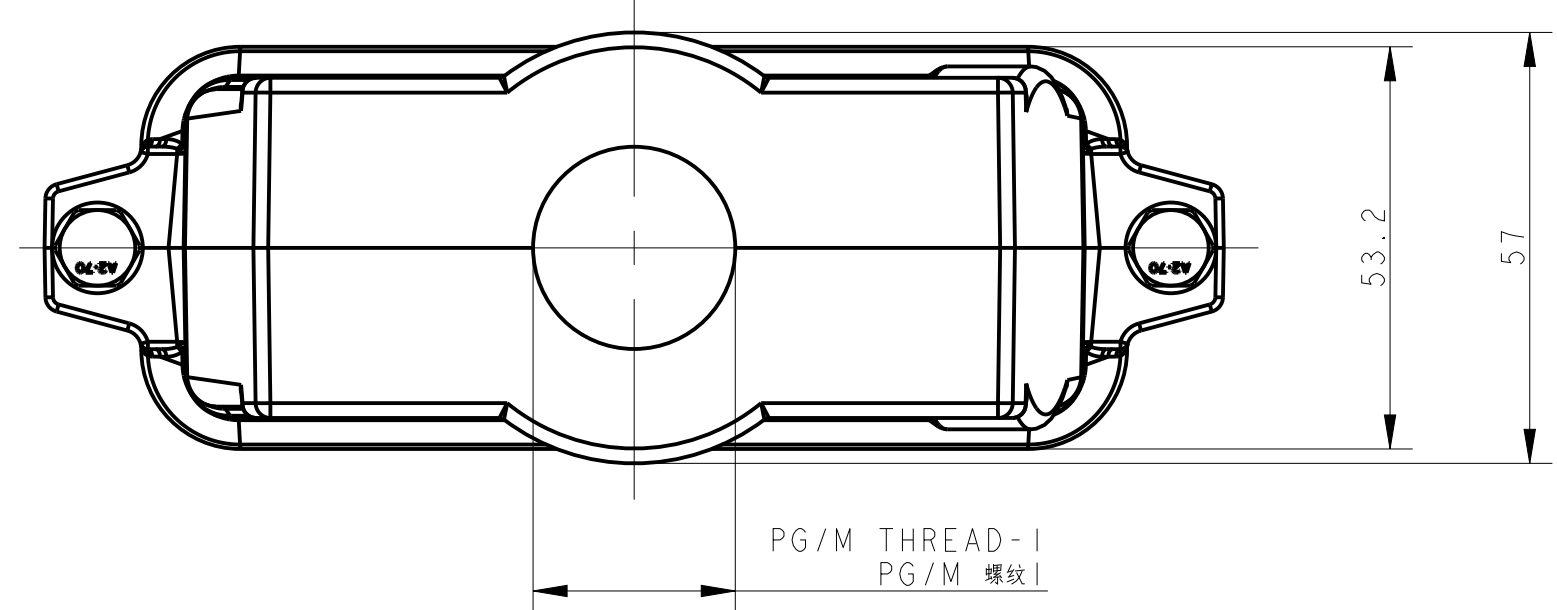


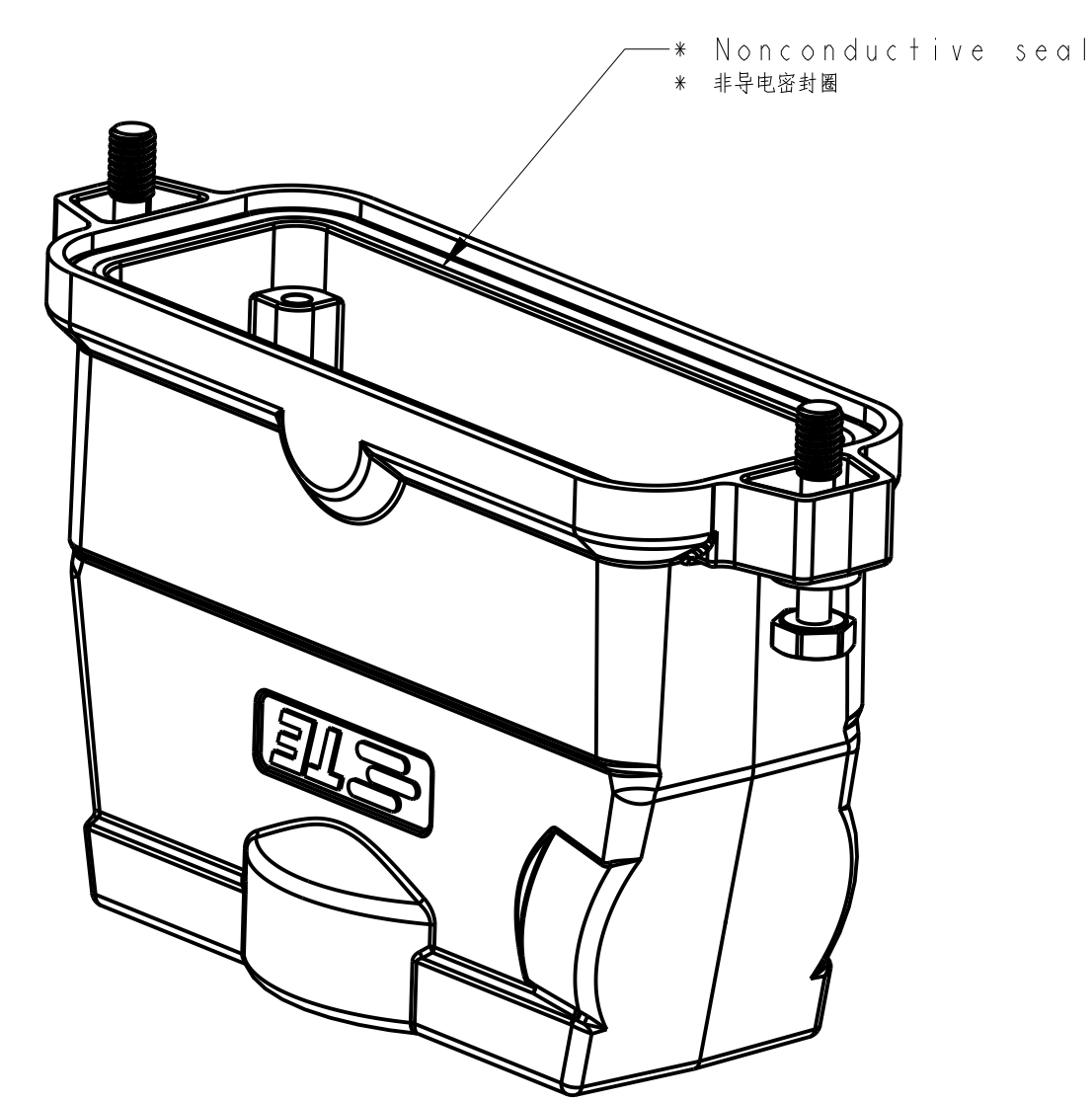
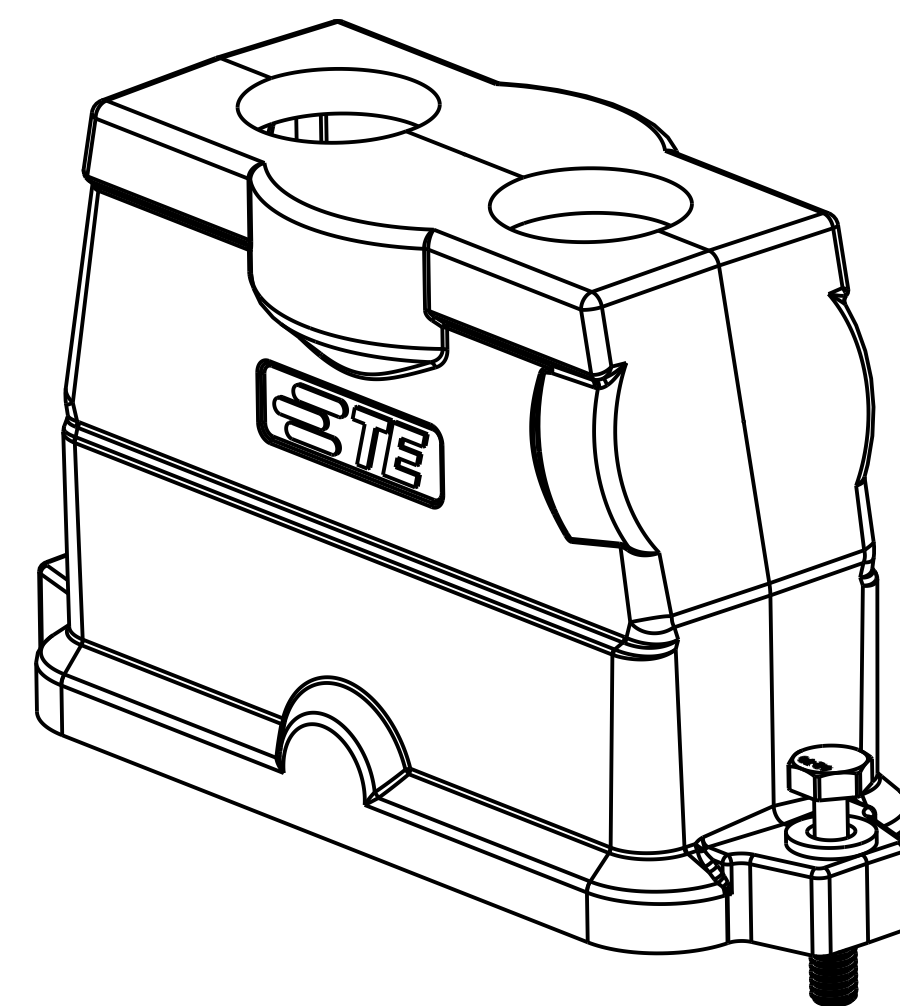
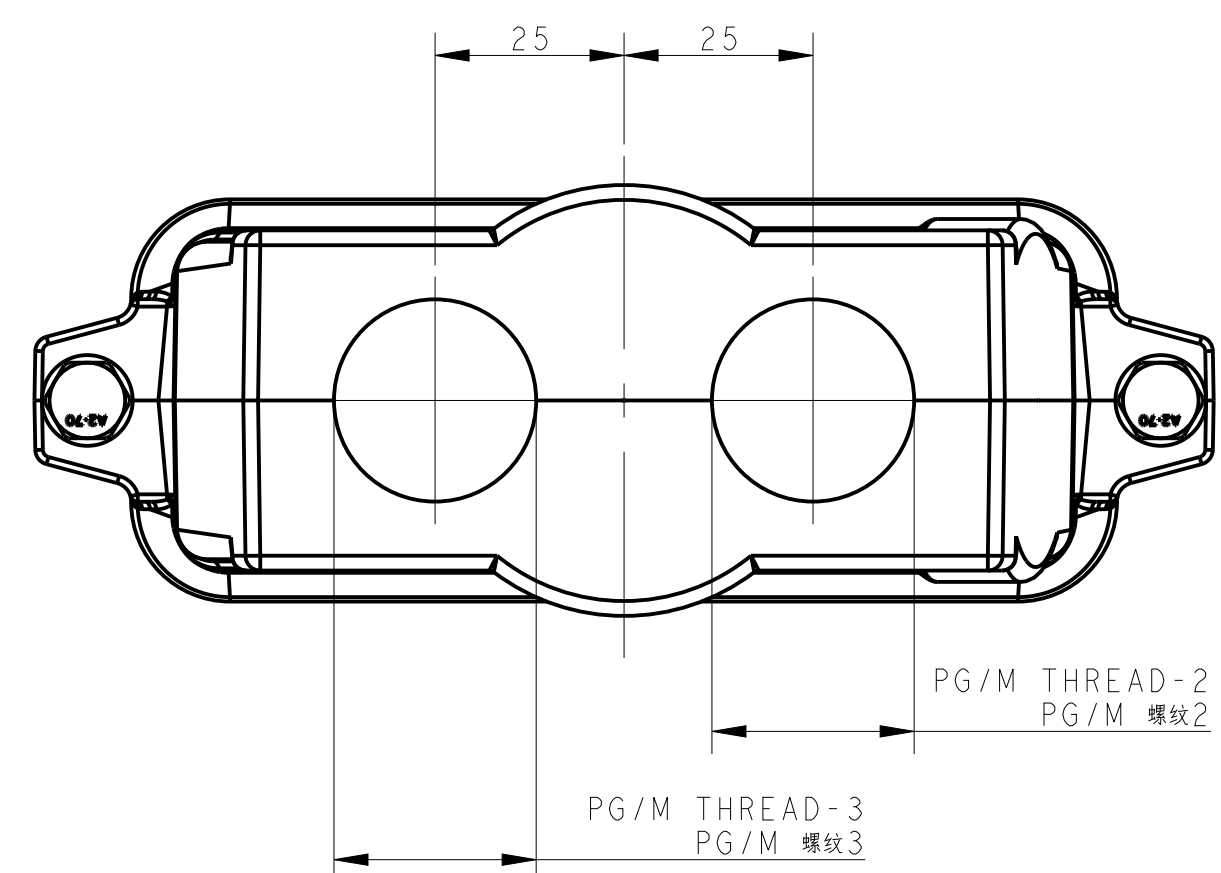
TYPE 1 类型 1

Single PG/M thread & With nonconductive seal
单PG/M螺纹孔与绝缘密封件



TYPE 2 类型 2

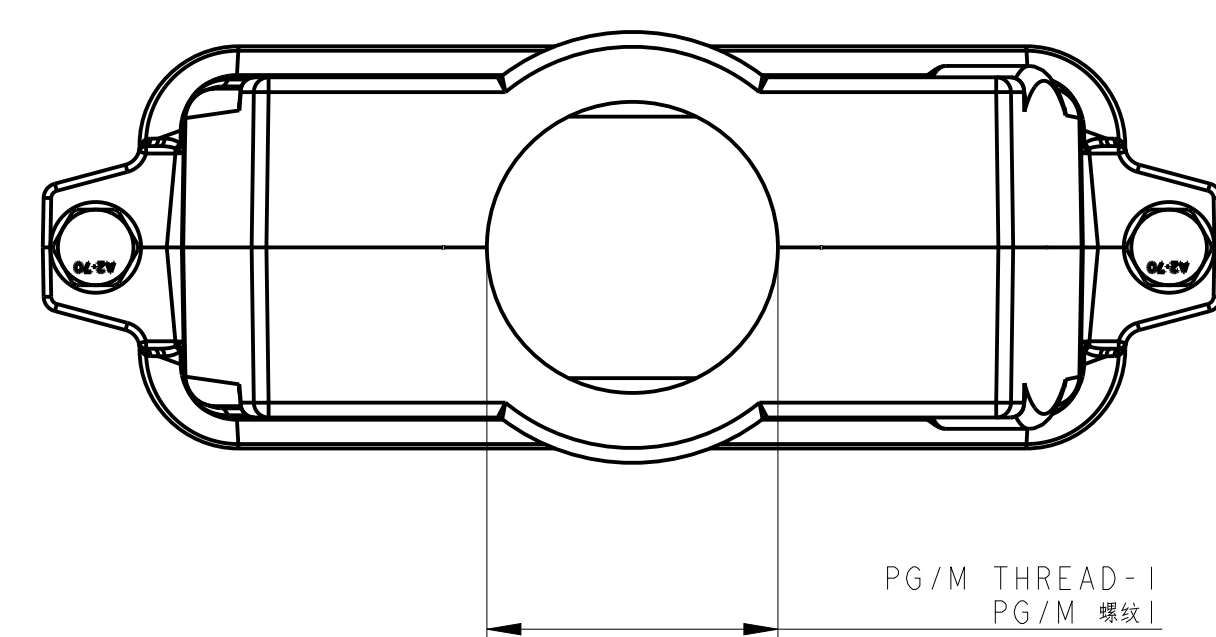
Two PG/M threads & With nonconductive seal
两个PG/M螺纹孔与绝缘密封件



All dimension is same as TYPE 1, except those defined in this TYPE
除了在本类型中定义的尺寸外, 其他尺寸同类型 1

TYPE 4 类型 4

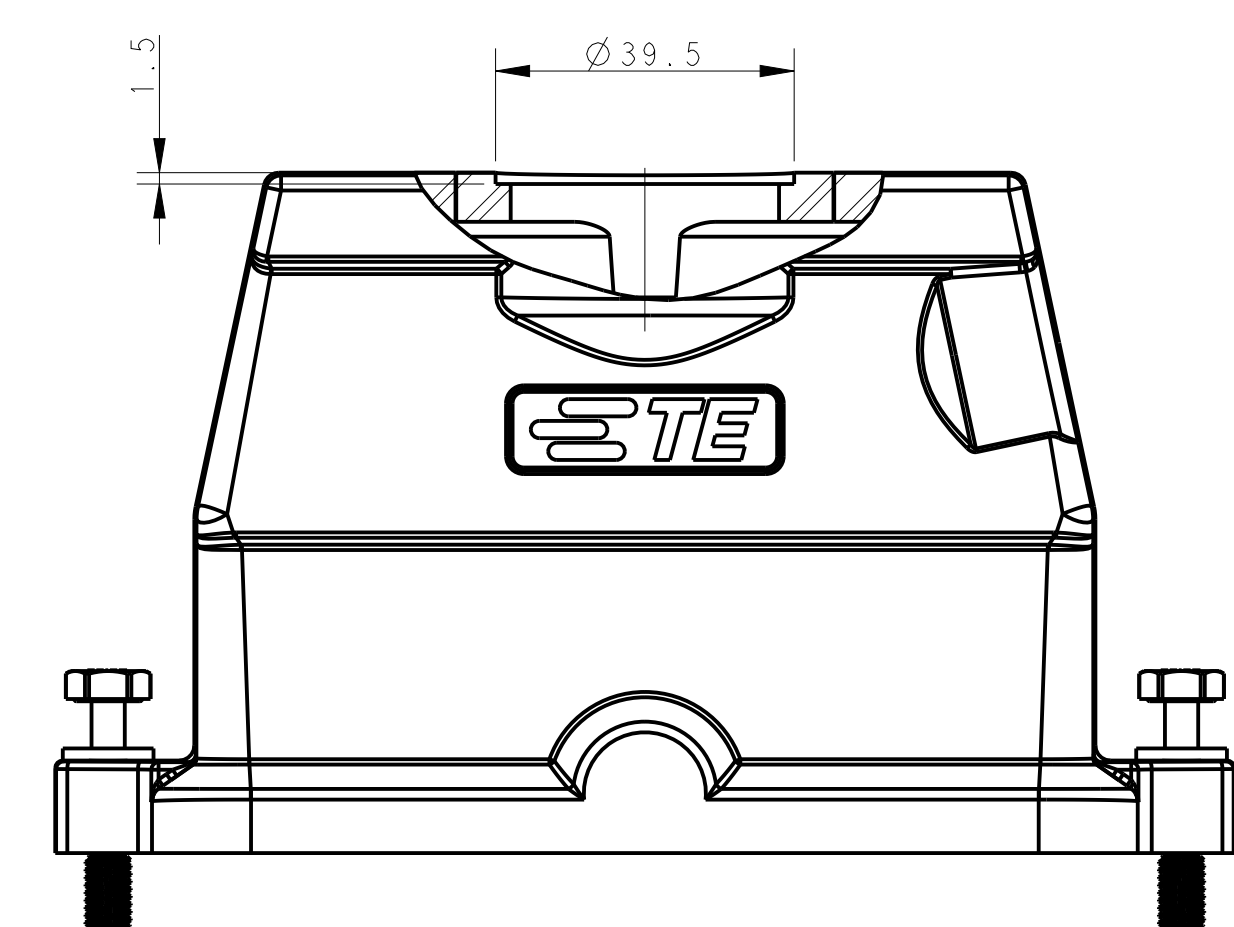
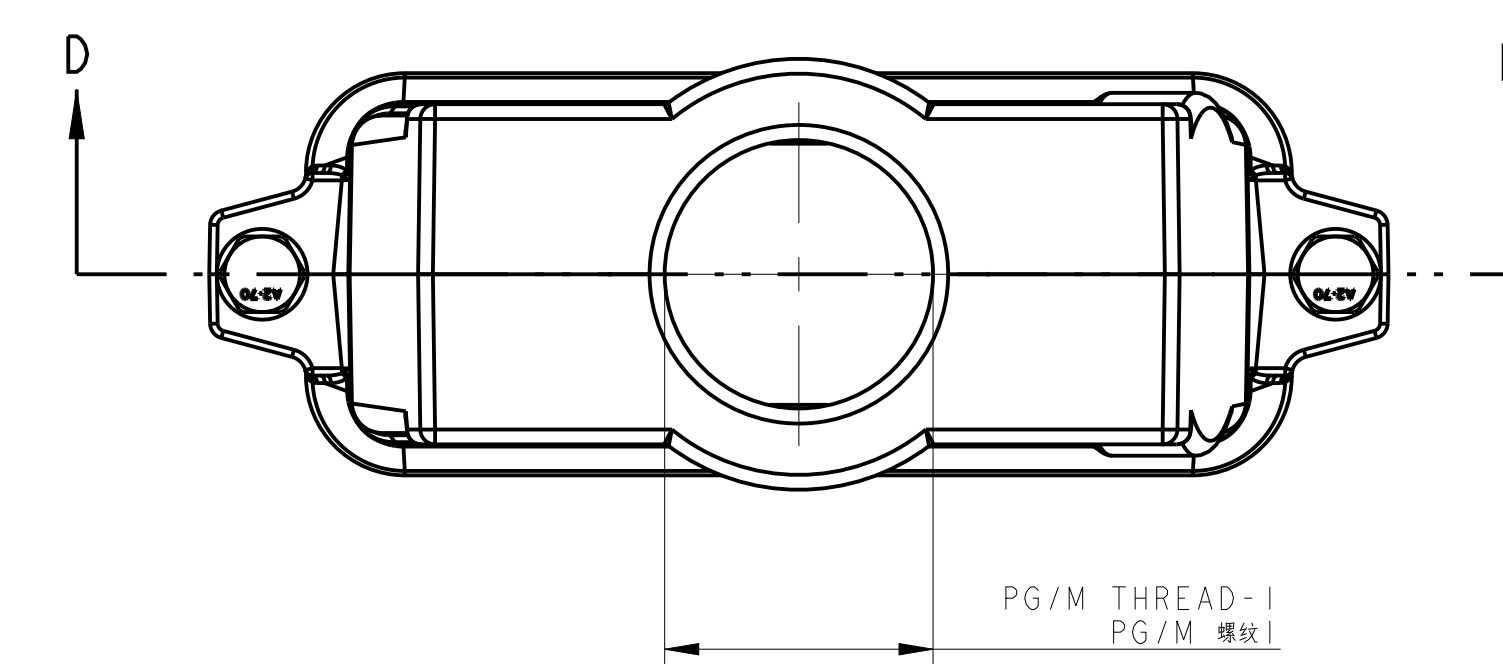
Single PG/M thread & With nonconductive seal, No logo
单PG/M螺纹孔与绝缘密封件, 无Logo



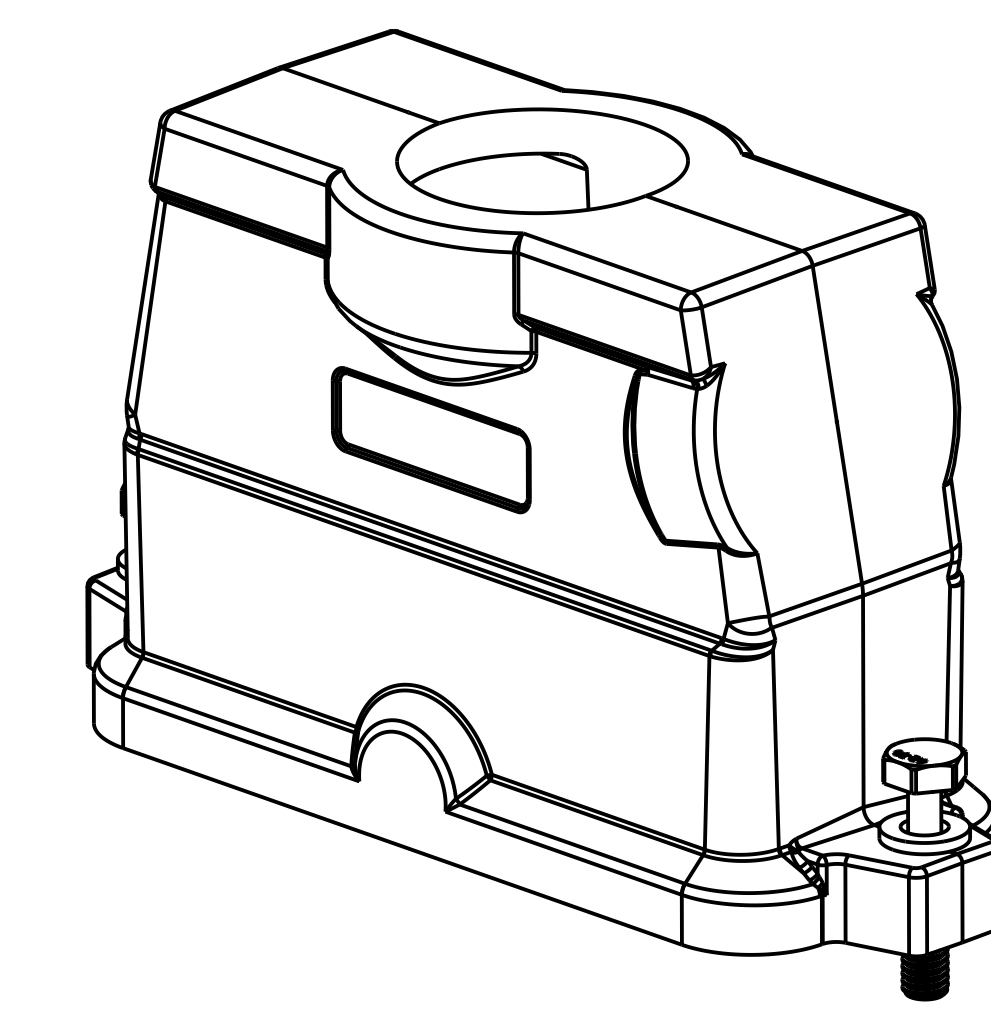
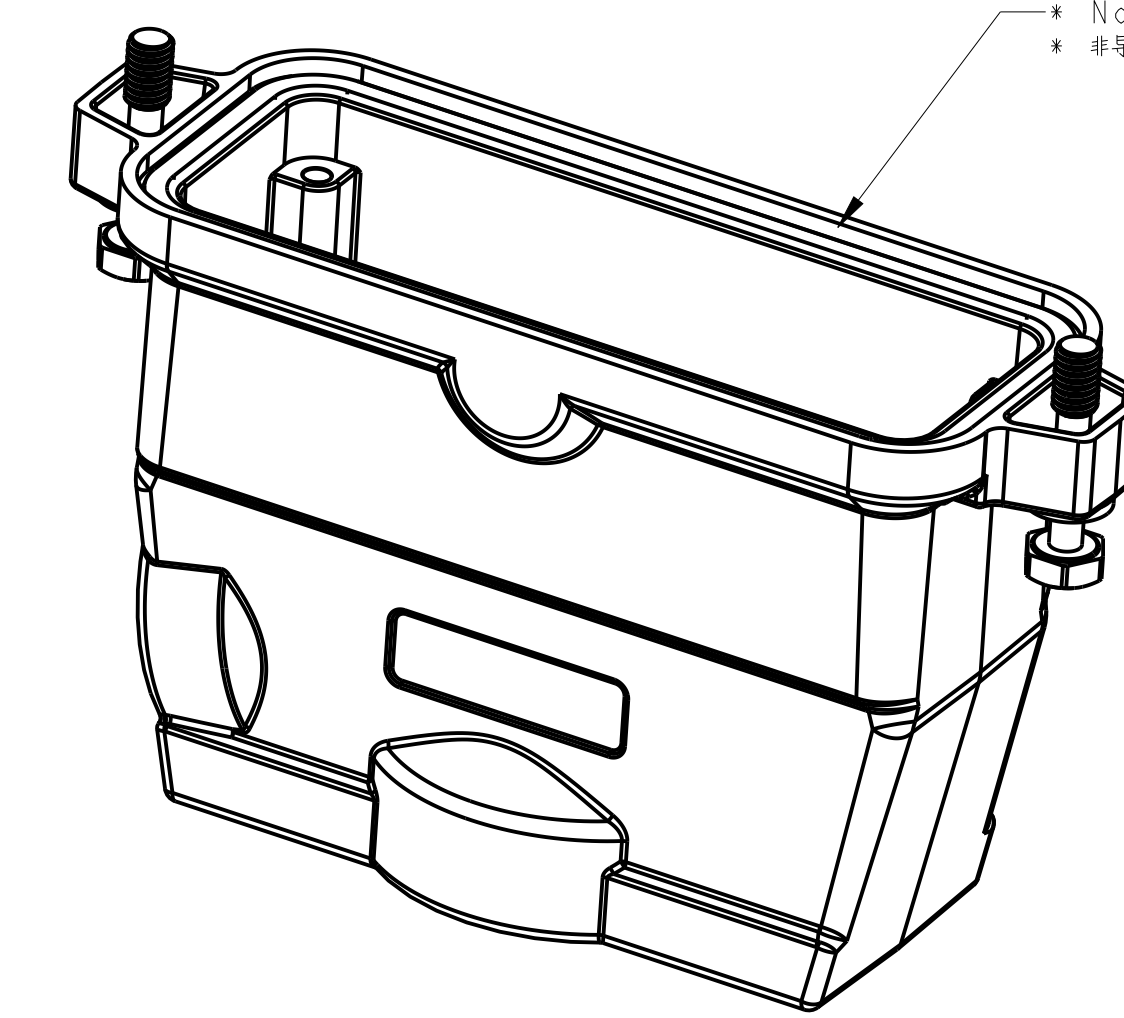
All dimension is same as TYPE 1, except those defined in this TYPE
除了在本类型中定义的尺寸外, 其他尺寸同类型 1

TYPE 3 类型 3

Single PG/M thread & With conductive seal
单PG/M螺纹孔与导电密封件



All dimension is same as TYPE 1, except those defined in this TYPE
除了在本类型中定义的尺寸外, 其他尺寸同类型 1



| REVISIONS | | | | |
|-----------|----------|---------------|----|------|
| REV | DATE | DESCRIPTION | BY | APPD |
| B3 | 20250318 | ECR-18-009564 | CD | CW |
| B4 | 20250318 | ECR-18-017123 | KW | CW |
| B5 | 20250318 | ECR-19-006656 | CD | CW |
| B6 | 20250318 | ECR-19-007133 | BS | CW |

| | | | | | | |
|--|--|-------------------|--------|---------|--------------------|--------------------------------|
| THIS DRAWING IS A CONTROLLED DOCUMENT. | | DATE: 16 JUN 2015 | REV: 0 | BY: PLC | APPD: Y. Liang, Y. | PRODUCT SPEC: H24BPR-TGHC-PG/M |
| DIMENSIONS: | | DATE: 16 JUN 2015 | REV: 1 | BY: PLC | APPD: Y. Liang, Y. | PRODUCT SPEC: H24BPR-TGHC-PG/M |
| MATERIAL: | | DATE: 16 JUN 2015 | REV: 2 | BY: PLC | APPD: Y. Liang, Y. | PRODUCT SPEC: H24BPR-TGHC-PG/M |
| FINISH: | | DATE: 16 JUN 2015 | REV: 3 | BY: PLC | APPD: Y. Liang, Y. | PRODUCT SPEC: H24BPR-TGHC-PG/M |
| CUSTOMER DRAWING | | DATE: 16 JUN 2015 | REV: 4 | BY: PLC | APPD: Y. Liang, Y. | PRODUCT SPEC: H24BPR-TGHC-PG/M |

